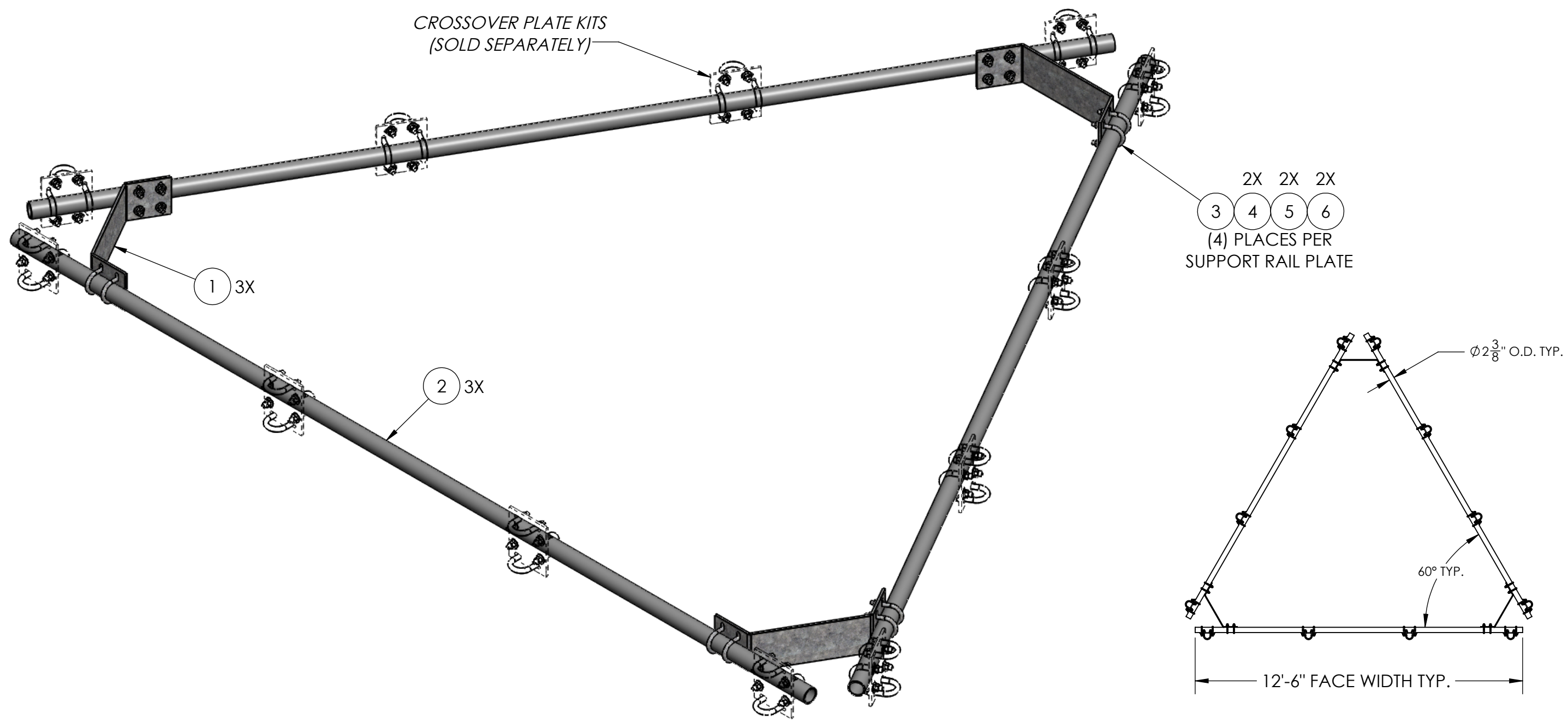


ITEM NO.	PART NUMBER	DESCRIPTION	FINISH	WEIGHT (PER)	QTY.
1	MP1100.01	PLATFORM UPPER SUPPORT RAIL PLATE (3/8" PLATE)	H.D.G.	18.41	3
2	GP2375.150	PLAIN END GALV PIPE, 2-3/8" O.D. x 150' (12'-6")	H.D.G.	45.83	3
3	GU42440	1/2" x 4" x 2-1/2" x 2" U-BOLT	H.D.G.	0.57	12
4	GF04	1/2" FLAT WASHER	H.D.G.	0.04	24
5	GL04	1/2" LOCK WASHER	H.D.G.	0.02	24
6	GN04A	1/2" HEX NUT (2H)	H.D.G.	0.06	24



UNLESS OTHERWISE SPECIFIED: DIMENSIONS ARE IN INCHES TOLERANCE ± 1/16		DESCRIPTION: 12'-6" PLATFORM UPPER SUPPORT RAIL KIT	
PROPRIETARY AND CONFIDENTIAL THE INFORMATION CONTAINED IN THIS DRAWING IS THE SOLE PROPERTY OF PRO TOWER MANUFACTURING L.L.C. ANY REPRODUCTION IN PART OR AS A WHOLE WITHOUT THE WRITTEN PERMISSION OF PRO TOWER MANUFACTURING L.L.C. IS PROHIBITED.		DWG NO: MP1100 DRAWN BY: AJK DATE: 6/13/2022 CHECKED BY: E.FILMER DATE: 6/13/2022 SHEET: 1 of 1 SCALE: NTS	
MATERIAL	-	 PRO TOWER MANUFACTURING L.L.C. 5601 San Francisco St. NE Albuquerque, N.M. 87109 (505) 924-2810	REV
FINISH	H.D.G.		WEIGHT: 202.44

SIZE
B