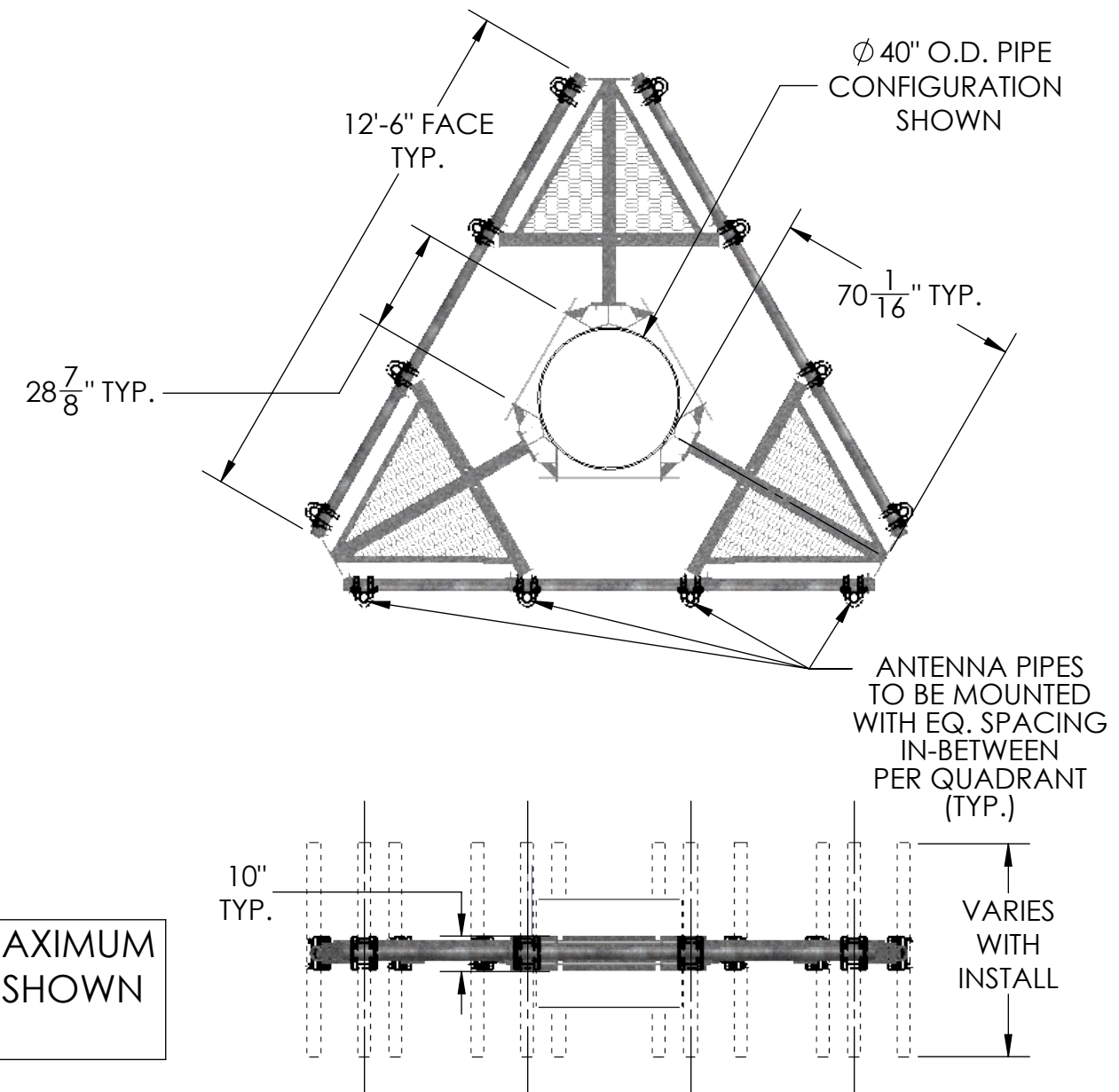
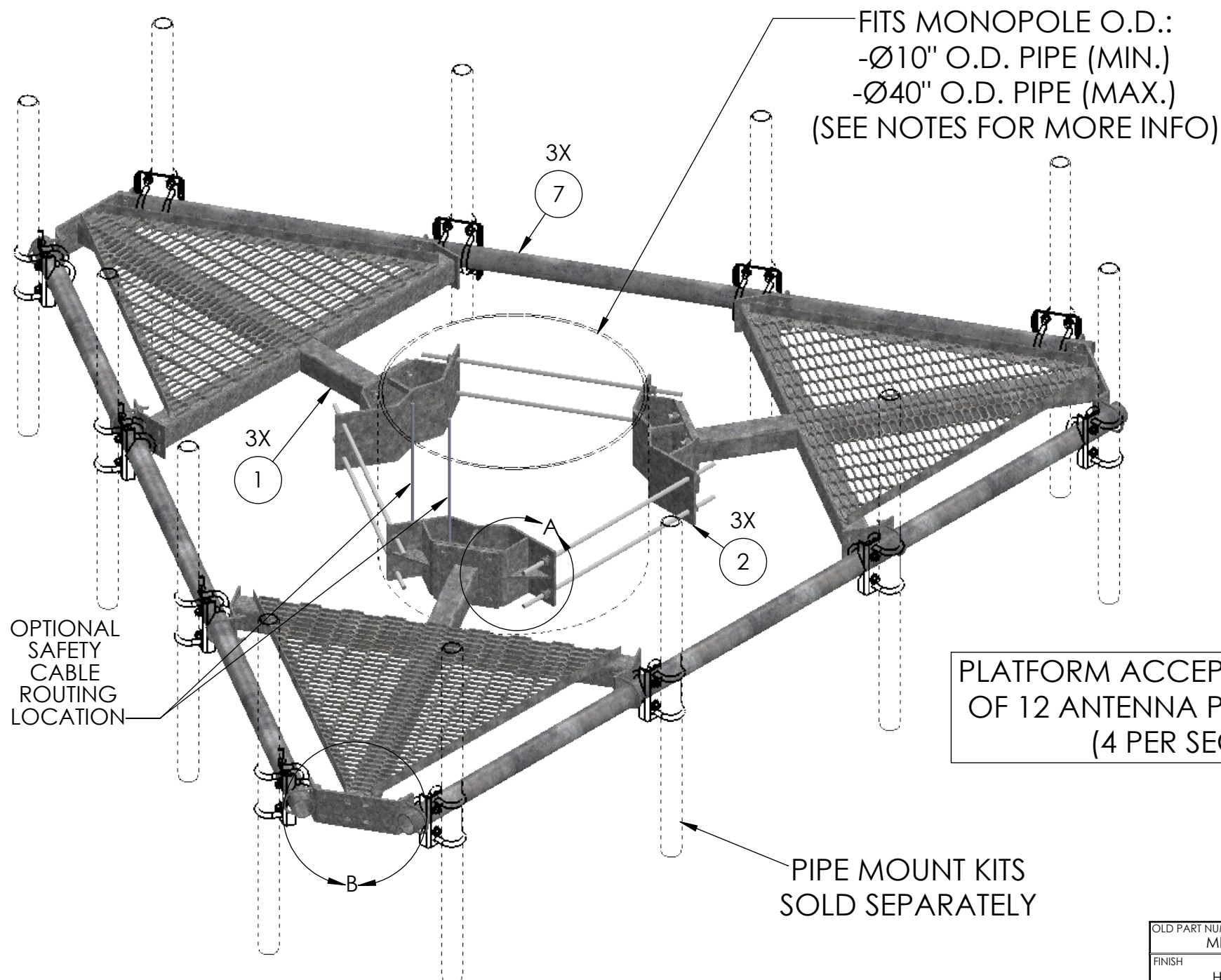
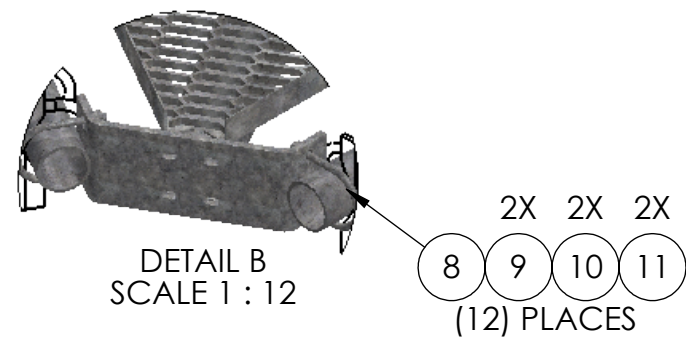
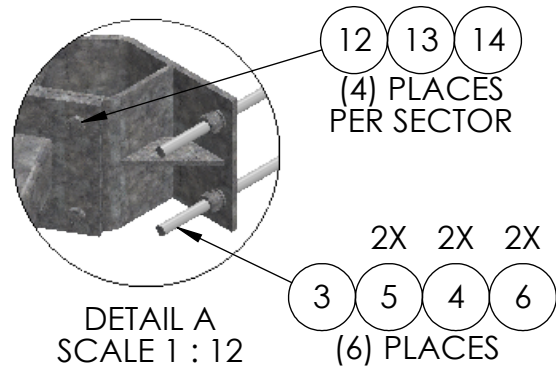



NOTES:
 -IF POLE IS LESS THAN 22" O.D. THAN FACE PIPES WILL REQ. FIELD TRIM/FIT.
 -IF POLE IS 41" TO 45" O.D. THAN LONGER FACE PIPES MUST BE ORDERED SEPARATELY.

ITEM NO.	PART NUMBER	DESCRIPTION	FINISH	WEIGHT (PER)	QTY.
1	MP1030.01	SMALL PLATFORM SECTION (WELDMENT)	H.D.G.	239.95	3
2	MP1004.01	3 SECTOR 10IN, 10"- 45" RING MOUNT (WELDMENT)	H.D.G.	65.76	3
3	GR750.040	3/4" x 40" THREADED ROD	H.D.G.	5.02	6
4	GL06	3/4" LOCK WASHER	H.D.G.	0.05	12
5	GN06A	3/4" HEX NUT (2H)	H.D.G.	0.18	12
6	GF06A	3/4" FLAT WASHER	H.D.G.	0.05	12
7	GP3500.150	PLAIN END PIPE, 3-1/2" O.D. x 150" (12'-6")	H.D.G.	95.04	3
8	GU43550	1/2" x 5-1/2" x 3-5/8" x 2-1/2" U-BOLT	H.D.G.	0.77	12
9	GF04	1/2" FLAT WASHER	H.D.G.	0.04	24
10	GL04	1/2" LOCK WASHER	H.D.G.	0.02	24
11	GN04A	1/2" HEX NUT (2H)	H.D.G.	0.06	24
12	GB0524A	5/8" x 2-1/2" HEX BOLT	H.D.G.	0.33	12
13	GL05	5/8" LOCK WASHER	H.D.G.	0.03	12
14	GN05A	5/8" HEX NUT (2H)	H.D.G.	0.12	12



UNLESS OTHERWISE SPECIFIED: DIMENSIONS ARE IN INCHES TOLERANCE ± 1/16		DESCRIPTION: 12'-6" MP PLATFORM KIT, 10"-40" POLE (ANTENNA PIPE & PIPE MOUNT NOT INCLUDED)	
PROPRIETARY AND CONFIDENTIAL THE INFORMATION CONTAINED IN THIS DRAWING IS THE SOLE PROPERTY OF PRO TOWER MANUFACTURING L.L.C. ANY REPRODUCTION IN PART OR AS A WHOLE WITHOUT THE WRITTEN PERMISSION OF PRO TOWER MANUFACTURING L.L.C. IS PROHIBITED.		 PRO TOWER MANUFACTURING L.L.C. 5601 San Francisco St. NE Albuquerque, N.M. 87109 (505) 924-2810	DWG NO: MPPK.150S
OLD PART NUMBER: MPPK12SB	FINISH H.D.G.		DRAWN BY: AJK CHECKED BY: E.FILMER SHEET: 1 of 1
		REV WEIGHT: 1,253.61	