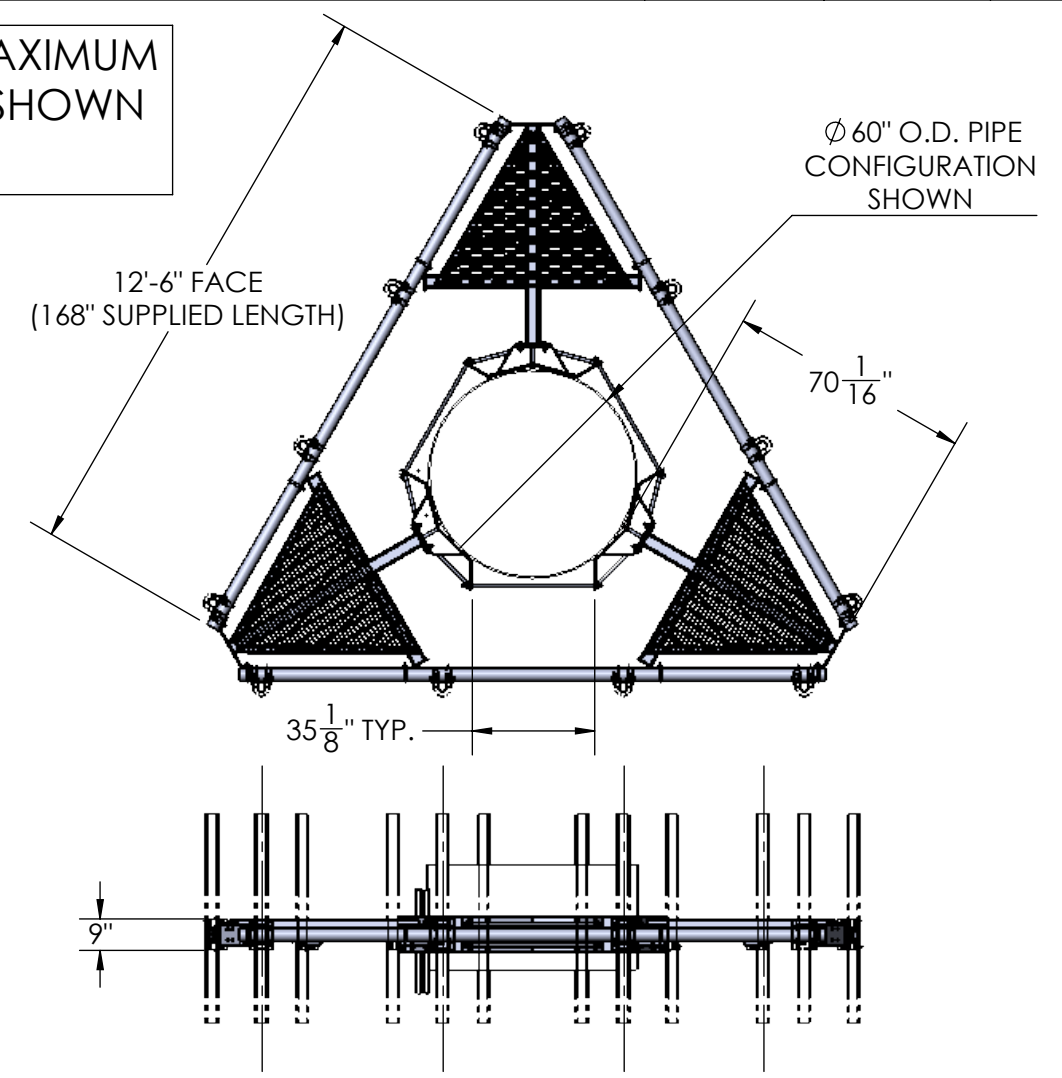


ITEM NO.	PART NUMBER	DESCRIPTION	MATERIAL	FINISH	QTY.
1	MP1030.01	SMALL PLATFORM SECTION (WELDMENT)	-	H.D.G.	3
2	MP1003.01	30" - 60" RING MOUNT (WELDMENT)	-	H.D.G.	3
3	GR750.040	3/4" x 40" THREADED ROD	B7	H.D.G.	6
4	GL06	3/4" LOCK WASHER	GR.5	H.D.G.	12
5	GN06A	3/4" HEX NUT	A325	H.D.G.	12
6	GF06	3/4" WASHER	GR.5	H.D.G.	12
7	GP3500.168	PLAIN END GALV PIPE, 3-1/2" O.D. x 168" (14'-0")	A500	H.D.G.	3
8	GU43550	1/2" x 5" x 3-5/8" x 2-1/2" U-BOLT	GR.5	H.D.G.	12
9	GF04	1/2" WASHER	GR.5	H.D.G.	24
10	GL04	1/2" LOCK WASHER	GR.5	H.D.G.	24
11	GN04	1/2" HEX NUT	GR.5	H.D.G.	24
12	GB0524A	5/8" x 2-1/2" HEX BOLT	A325	H.D.G.	12
13	GL05	5/8" LOCK WASHER	GR.5	H.D.G.	12
14	GN05A	5/8" HEX NUT	A325	H.D.G.	12

PLATFORMS ACCEPTS A MAXIMUM OF 12 ANTENNA PIPES AS SHOWN (4 PER SECTOR)



UNLESS OTHERWISE SPECIFIED: DIMENSIONS ARE IN INCHES TOLERANCE ± 1/16		DESCRIPTION: 12'-6" MP PLATFORM KIT, 30"-60" POLE (ANTENNA PIPE & PIPE MOUNT NOT INCLUDED)	
PROPRIETARY AND CONFIDENTIAL THE INFORMATION CONTAINED IN THIS DRAWING IS THE SOLE PROPERTY OF PRO TOWER MANUFACTURING L.L.C. ANY REPRODUCTION IN PART OR AS A WHOLE WITHOUT THE WRITTEN PERMISSION OF PRO TOWER MANUFACTURING L.L.C. IS PROHIBITED.		 PRO TOWER MANUFACTURING L.L.C. 5601 San Francisco St. NE Albuquerque, N.M. 87109 (505) 924-2810	DWG NO: MPPK.150L
OLD PART NUMBER: MPPK12LB	FINISH H.D.G.		DRAWN BY: AJK CHECKED BY: T.SMYTHE SHEET: 1 of 1