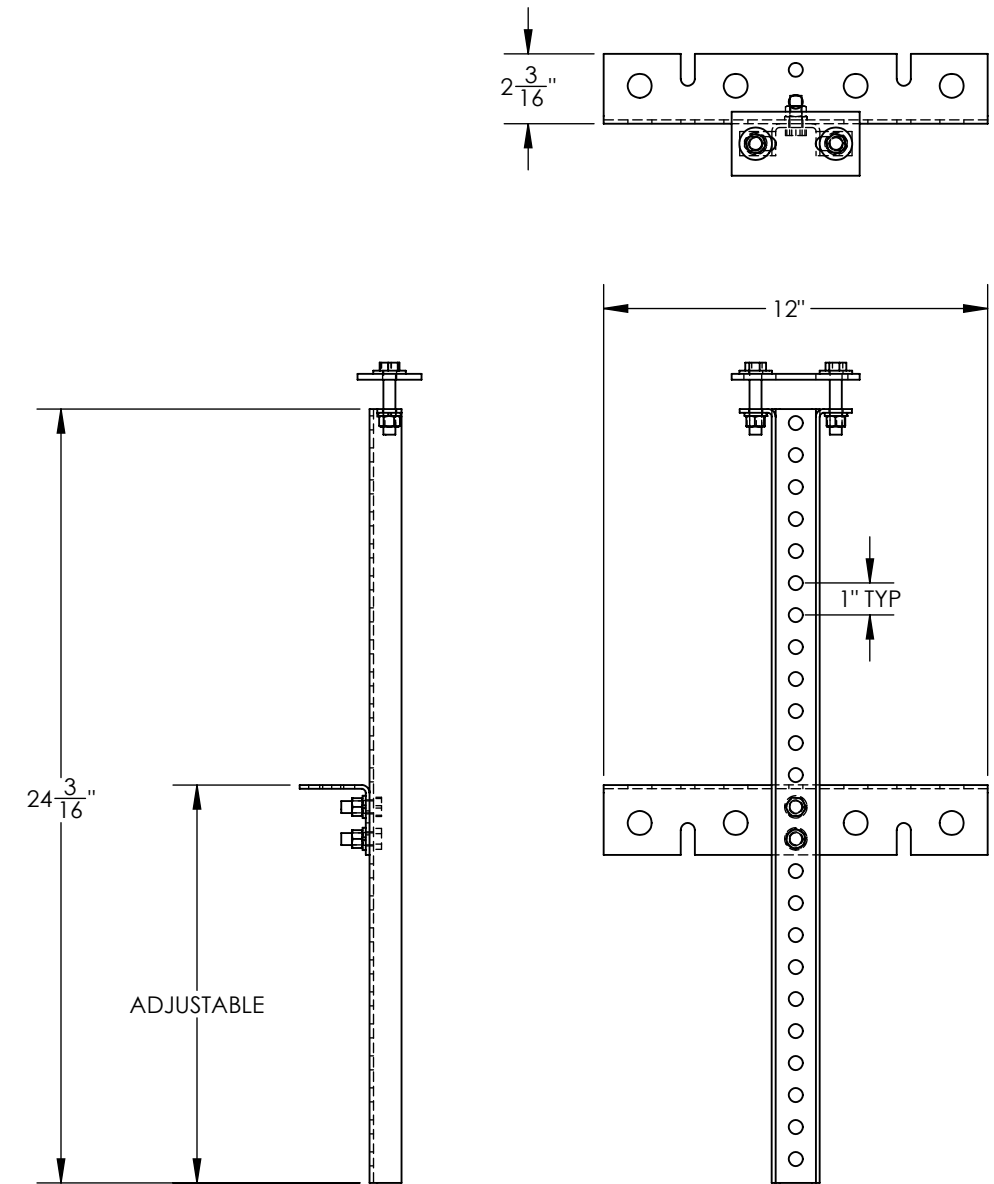


ITEM NO.	PART NUMBER	DESCRIPTION	FINISH	WEIGHT (PER)	QTY.
1	CS3043.01	TRAPEZE VERTICAL BRACKET (11 GA SHEET)	H.D.G.	2.47	1
2	CS3043.02	12" ADJUSTABLE TRAPEZE RUNG (11 GA SHEET)	H.D.G.	1.51	1
3	CS3043.03	TRAPEZE ATTACHMENT PLATE	H.D.G.	0.38	1
4	GB03205	3/8" x 2" BOLT	H.D.G.	0.08	2
5	GF03	3/8" FLAT WASHER	H.D.G.	0.02	2
6	GL03	3/8" LOCK WASHER	H.D.G.	0.01	4
7	GN03	3/8" HEX NUT	H.D.G.	0.02	4
8	GB03105	3/8" x 1" BOLT	H.D.G.	0.05	2



MATERIAL		UNLESS OTHERWISE SPECIFIED: DIMENSIONS ARE IN INCHES TOLERANCE ± 1/16	DESCRIPTION: 12" TRAPEZE KIT, SINGLE LEVEL TEE BRACKET, KIT OF 1		
FINISH H.D.G.			DWG NO: CS3043		
SIZE B		PROPRIETARY AND CONFIDENTIAL THE INFORMATION CONTAINED IN THIS DRAWING IS THE SOLE PROPERTY OF PRO TOWER MANUFACTURING L.L.C. ANY REPRODUCTION IN PART OR AS A WHOLE WITHOUT THE WRITTEN PERMISSION OF PRO TOWER MANUFACTURING L.L.C. IS PROHIBITED.	PRO TOWER MANUFACTURING L.L.C. 5601 San Francisco St. NE Albuquerque, N.M. 87109 (505) 924-2810		
			DRAWN BY: A.J.K.	DATE: 7/23/2021	REV
			CHECKED BY: E.FILMER	DATE: 7/23/2021	WEIGHT: 4.75
		SHEET: 1 of 1		SCALE: NTS	