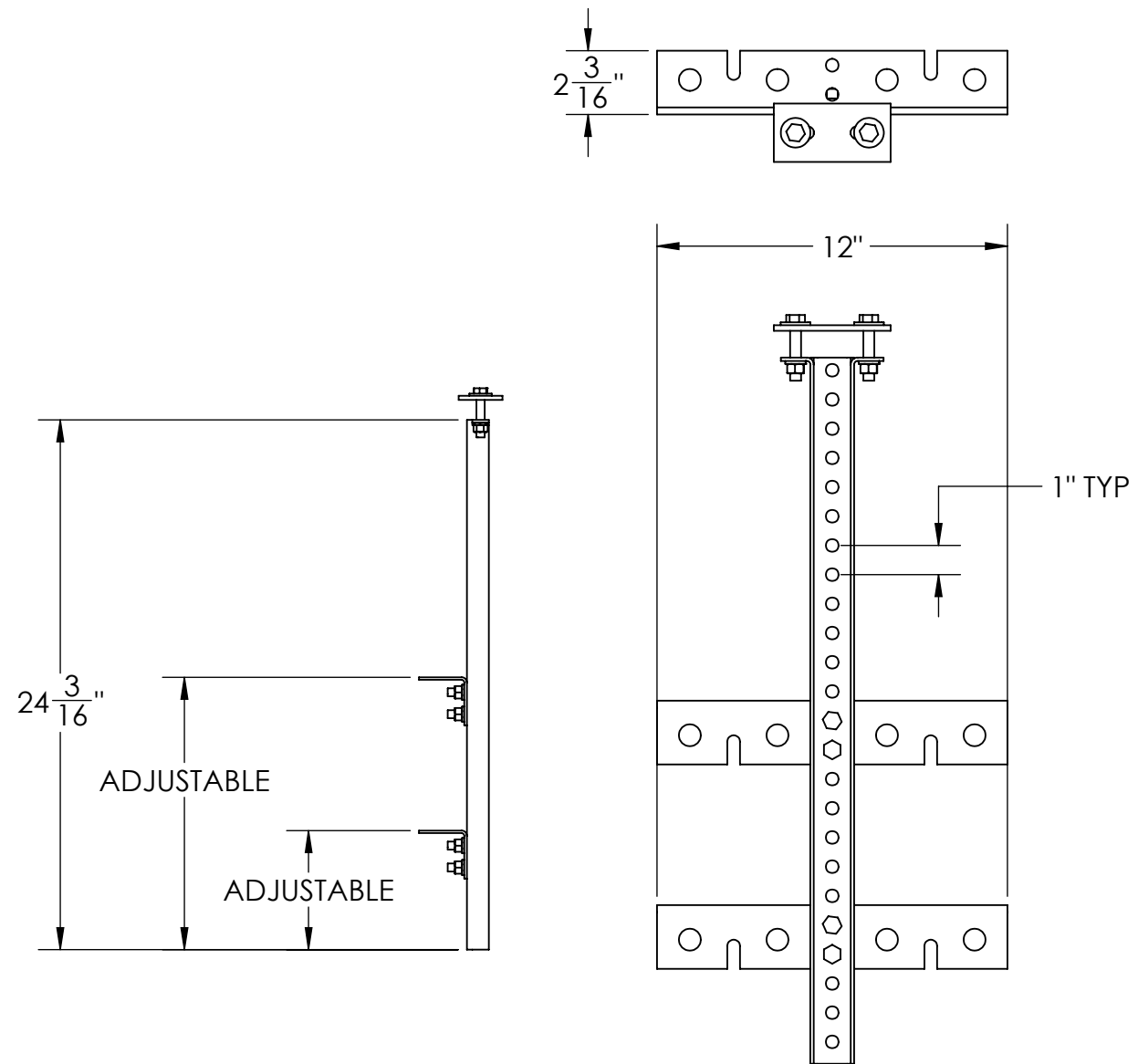
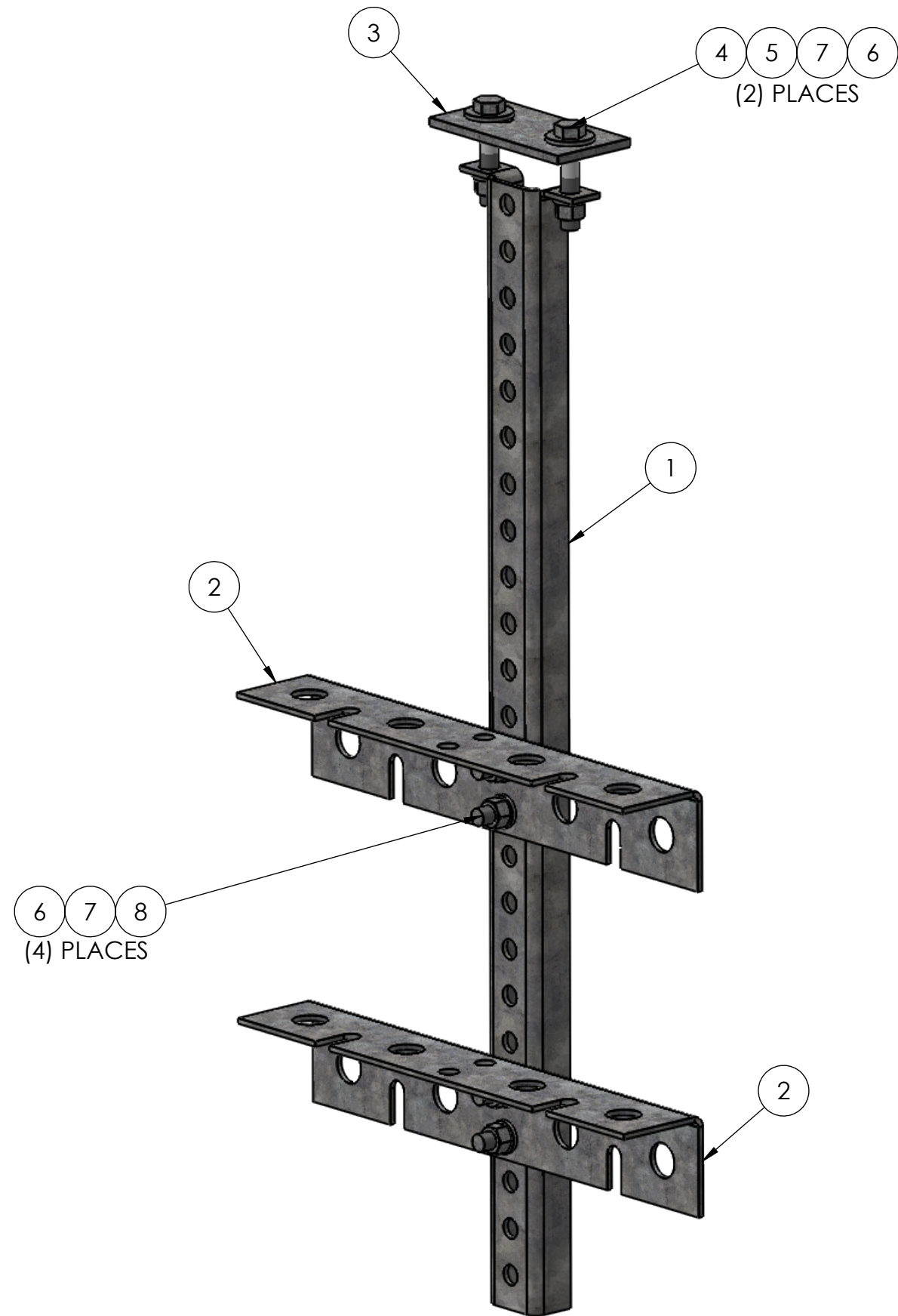


ITEM NO.	PART NUMBER	DESCRIPTION	FINISH	WEIGHT (PER)	QTY.
1	CS3043.01	TRAPEZE VERTICAL BRACKET (11GA SHEET)	H.D.G.	2.47	1
2	CS3043.02	12" ADJUSTABLE TRAPEZE RUNG (11GA SHEET)	H.D.G.	1.51	2
3	CS3043.03	TRAPEZE ATTACHMENT PLATE	H.D.G.	0.38	1
4	GB03205	3/8" x 2" BOLT	H.D.G.	0.08	2
5	GF03	3/8" FLAT WASHER	H.D.G.	0.02	2
6	GN03	3/8" HEX NUT	H.D.G.	0.02	6
7	GL03	3/8" LOCK WASHER	H.D.G.	0.01	6
8	GB03105	3/8" x 1" BOLT	H.D.G.	0.05	4



UNLESS OTHERWISE SPECIFIED: DIMENSIONS ARE IN INCHES TOLERANCE ± 1/16		DESCRIPTION: 12" TEE BRACKET TRAPEZE KIT, DOUBLE LEVEL, KIT OF 1		
MATERIAL -		 <b>PRO TOWER MANUFACTURING L.L.C.</b> 5601 San Francisco St. NE Albuquerque, N.M. 87109 (505) 924-2810	DWG NO: CS3044	
FINISH H.D.G.			DRAWN BY: AJK	DATE: 7/26/2021
SIZE B		CHECKED BY: E.FILMER	DATE: 7/26/2021	WEIGHT: 6.40
		SHEET: 1 of 1	SCALE: NTS	