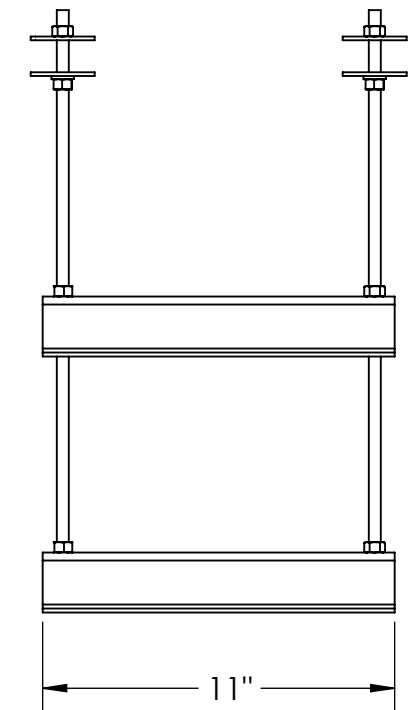
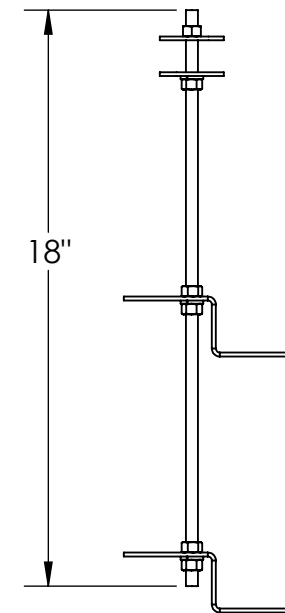
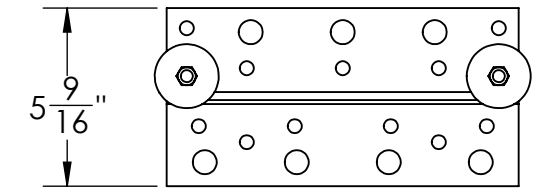
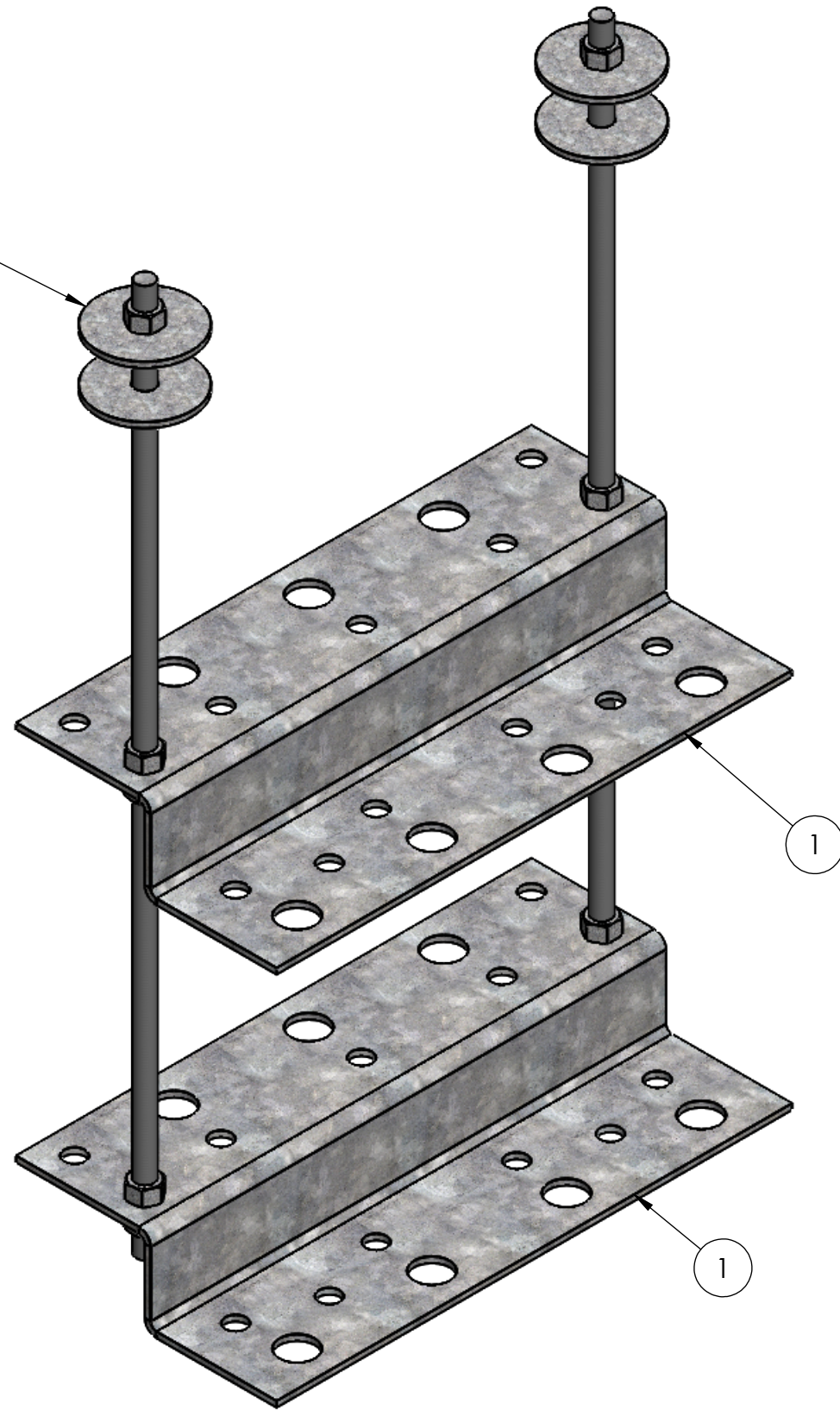


ITEM NO.	PART NUMBER	DESCRIPTION	FINISH	WEIGHT (PER)	QTY.
1	CS3040.01	12" WAVEGUIDE Z BRACKET	H.D.G.	2.62	2
2	GF03L	3/8" FENDER WASHER	H.D.G.	0.10	4
3	GL03	3/8" LOCK WASHER	H.D.G.	0.01	6
4	GN03	3/8" HEX NUT	H.D.G.	0.02	12
5	GR375.018	3/8" x 18" THREADED ROD	H.D.G.	0.57	2

6X 3X 2X  
 5 4 3 2  
 (2) PLACES



MATERIAL -	FINISH H.D.G.	SIZE <b>B</b>	UNLESS OTHERWISE SPECIFIED: DIMENSIONS ARE IN INCHES TOLERANCE ± 1/16	DESCRIPTION: 12" TRAPEZE KIT, DOUBLE LEVEL Z BRACKET, KIT OF 1	DWG NO: CS3041		
			PROPRIETARY AND CONFIDENTIAL THE INFORMATION CONTAINED IN THIS DRAWING IS THE SOLE PROPERTY OF PRO TOWER MANUFACTURING L.L.C. ANY REPRODUCTION IN PART OR AS A WHOLE WITHOUT THE WRITTEN PERMISSION OF PRO TOWER MANUFACTURING L.L.C. IS PROHIBITED.	 <b>PRO TOWER MANUFACTURING L.L.C.</b> 5601 San Francisco St. NE Albuquerque, N.M. 87109 (505) 924-2810	DRAWN BY: AJK	DATE: 7/26/2021	REV
					CHECKED BY: E.FILMER	DATE: 7/26/2021	WEIGHT:
					SHEET: 1 of 1	SCALE: NTS	8.11