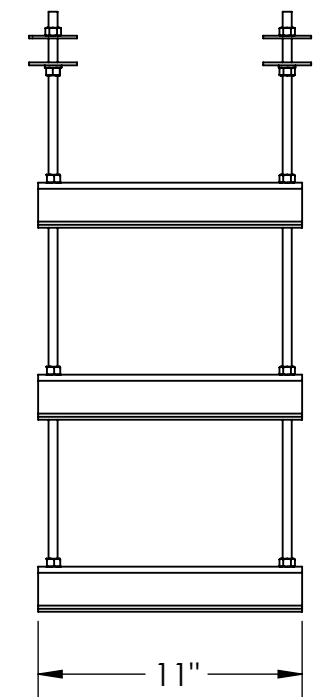
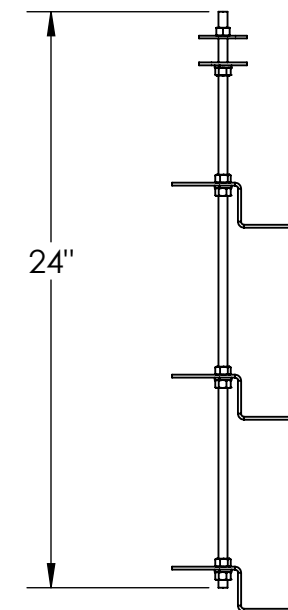
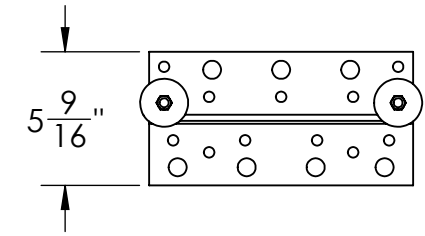
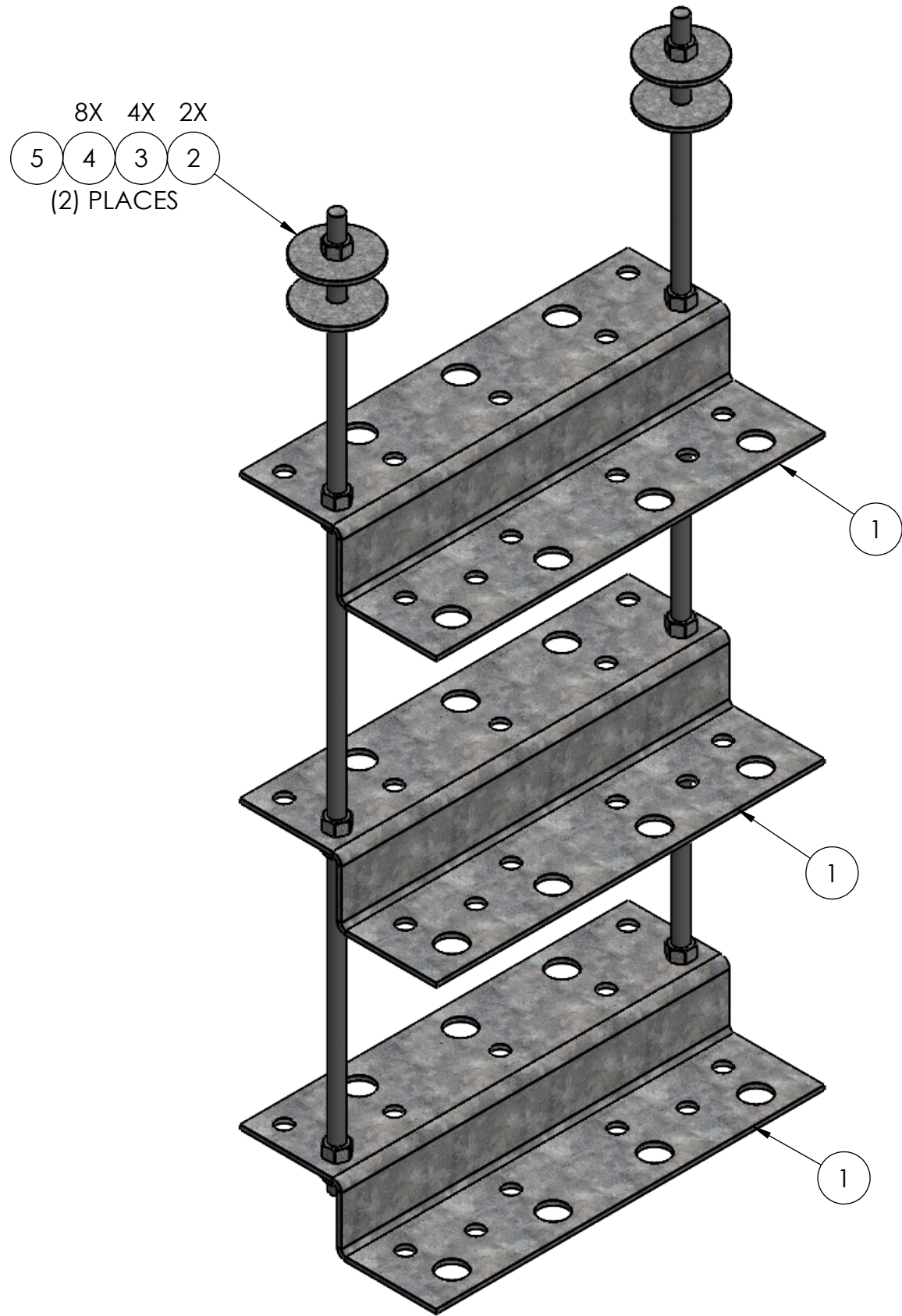


ITEM NO.	PART NUMBER	DESCRIPTION	FINISH	WEIGHT (PER)	QTY.
1	CS3040.01	12" WAVEGUIDE Z BRACKET	H.D.G.	2.62	3
2	GF03L	3/8" FENDER WASHER	H.D.G.	0.10	4
3	GL03	3/8" LOCK WASHER	H.D.G.	0.01	8
4	GN03	3/8" HEX NUT	H.D.G.	0.02	16
5	GR375.024	3/8" x 24" THREADED ROD	H.D.G.	0.75	2



MATERIAL		UNLESS OTHERWISE SPECIFIED: DIMENSIONS ARE IN INCHES TOLERANCE ± 1/16		DESCRIPTION: 12" TRAPEZE KIT, TRIPLE LEVEL Z BRACKET, KIT OF 1	
FINISH		PROPRIETARY AND CONFIDENTIAL THE INFORMATION CONTAINED IN THIS DRAWING IS THE SOLE PROPERTY OF PRO TOWER MANUFACTURING L.L.C. ANY REPRODUCTION IN PART OR AS A WHOLE WITHOUT THE WRITTEN PERMISSION OF PRO TOWER MANUFACTURING L.L.C. IS PROHIBITED.		 PRO TOWER MANUFACTURING L.L.C. 5601 San Francisco St. NE Albuquerque, N.M. 87109 (505) 924-2810	
SIZE B		DWG NO: CS3042		DRAWN BY: A.J.K.	
H.D.G.		DATE: 7/26/2021		REV	
		CHECKED BY: E.FILMER		DATE: 7/26/2021	
		SHEET: 1 of 1		SCALE: NTS	
				WEIGHT: 10.05	