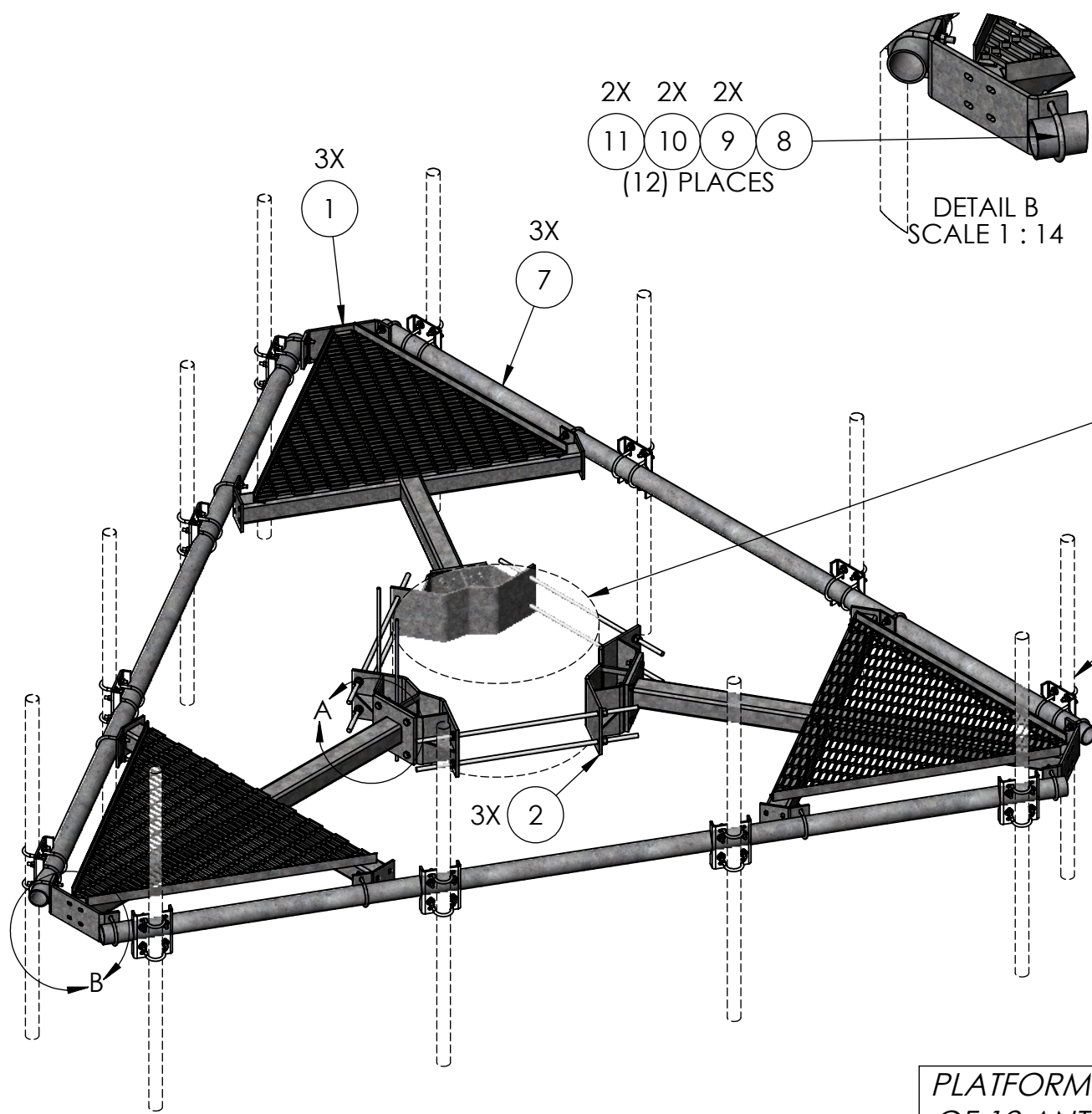


NOTES:
 -IF POLE IS 36" TO 45" O.D. THAN LONGER FACE PIPES MUST BE ORDERED SEPARATELY.

ITEM NO.	PART NUMBER	DESCRIPTION	FINISH	WEIGHT (PER)	QTY.
1	MP1031.01	LARGE PLATFORM SECTION (WELDMENT)	H.D.G.	256.02	3
2	MP1004.01	3 SECTOR 10IN, 10"- 45" RING MOUNT (WELDMENT)	H.D.G.	65.76	3
3	GR750.040	3/4" x 40" THREADED ROD	H.D.G.	5.02	6
4	GL06	3/4" LOCK WASHER	H.D.G.	0.05	12
5	GN06A	3/4" HEX NUT (2H)	H.D.G.	0.18	12
6	GF06A	3/4" FLAT WASHER	H.D.G.	0.05	12
7	GP3500.174	PLAIN END GALV PIPE, 3-1/2" O.D. x 174" (14'-6")	H.D.G.	110.25	3
8	GU43550	1/2" x 5-1/2" x 3-5/8" x 2-1/2" U-BOLT	H.D.G.	0.77	12
9	GF04	1/2" FLAT WASHER	H.D.G.	0.04	24
10	GL04	1/2" LOCK WASHER	H.D.G.	0.02	24
11	GN04A	1/2" HEX NUT (2H)	H.D.G.	0.06	24
12	GB0524A	5/8" x 2-1/2" HEX BOLT	H.D.G.	0.33	12
13	GL05	5/8" LOCK WASHER	H.D.G.	0.03	12
14	GN05A	5/8" HEX NUT (2H)	H.D.G.	0.12	12

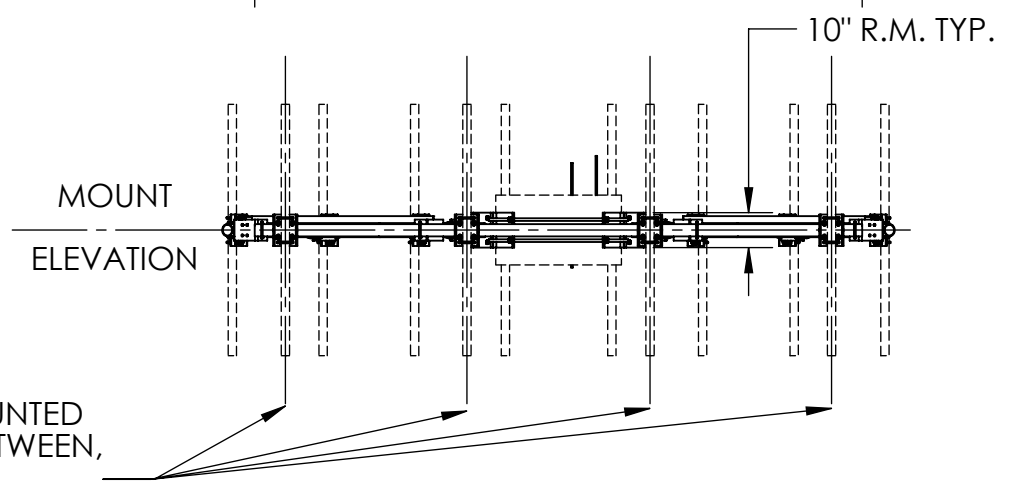
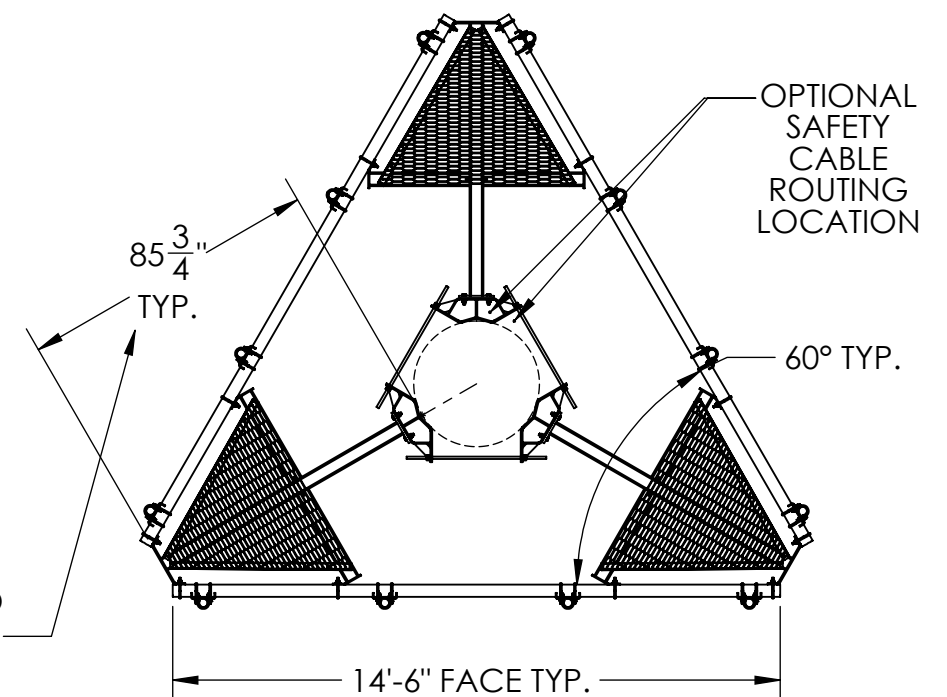


FITS MONOPOLE O.D.:
 -Ø10" O.D. PIPE (MIN.)
 -Ø36" O.D. PIPE (MAX.)
 (SEE NOTES FOR MORE INFO)

ANTENNA PIPE MOUNT
 KITS SOLD SEPARATELY

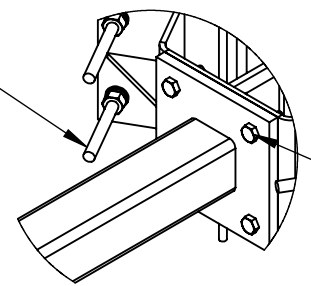
FROM FRONT FACE OF
 PLATFORM SECTION TO
 APEX OF MONOPOLE

PLATFORM ACCEPTS A MAXIMUM
 OF 12 ANTENNA PIPES AS SHOWN
 (4 PER SECTOR)



ANTENNA PIPES TO BE MOUNTED
 WITH EQUAL SPACING IN-BETWEEN,
 PER SECTOR (TYP.)

2X 2X 2X
 6 4 5 3
 (6) PLACES



DETAIL A
 SCALE 1:12

12 14 13
 (4) PLACES
 PER SECTOR

UNLESS OTHERWISE SPECIFIED: DIMENSIONS ARE IN INCHES TOLERANCE ± 1/16		DESCRIPTION: 14'-6" MP PLATFORM KIT, 10"-36" POLE, ANTENNA PIPE NOT INCLUDED	
MATERIAL: -		 PRO TOWER MANUFACTURING L.L.C. 5601 San Francisco St. NE Albuquerque, N.M. 87109 (505) 924-2810	DWG NO: MPPK.174SB
FINISH: H.D.G.			DRAWN BY: AJK CHECKED BY: E.FILMER SHEET: 1 of 1
PROPRIETARY AND CONFIDENTIAL THE INFORMATION CONTAINED IN THIS DRAWING IS THE SOLE PROPERTY OF PRO TOWER MANUFACTURING L.L.C. ANY REPRODUCTION IN PART OR AS A WHOLE WITHOUT THE WRITTEN PERMISSION OF PRO TOWER MANUFACTURING L.L.C. IS PROHIBITED.		DATE: 6/13/2022 DATE: 6/13/2022 SCALE: NTS	REV WEIGHT: 1,347.45