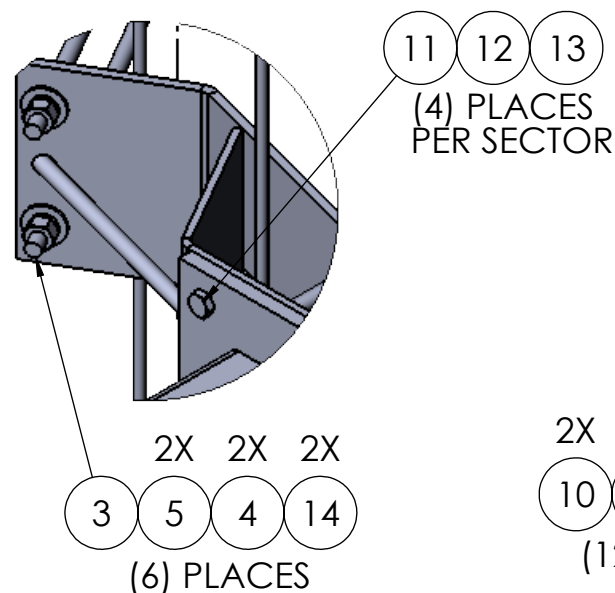
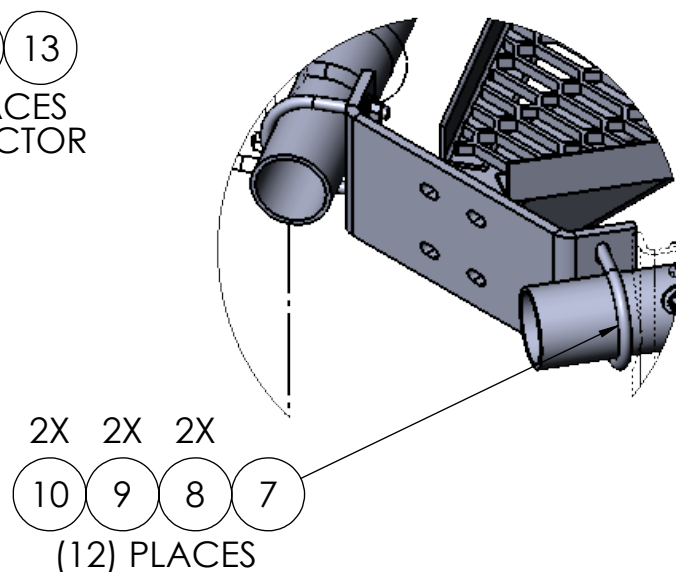


DETAIL A  
SCALE 1 : 8



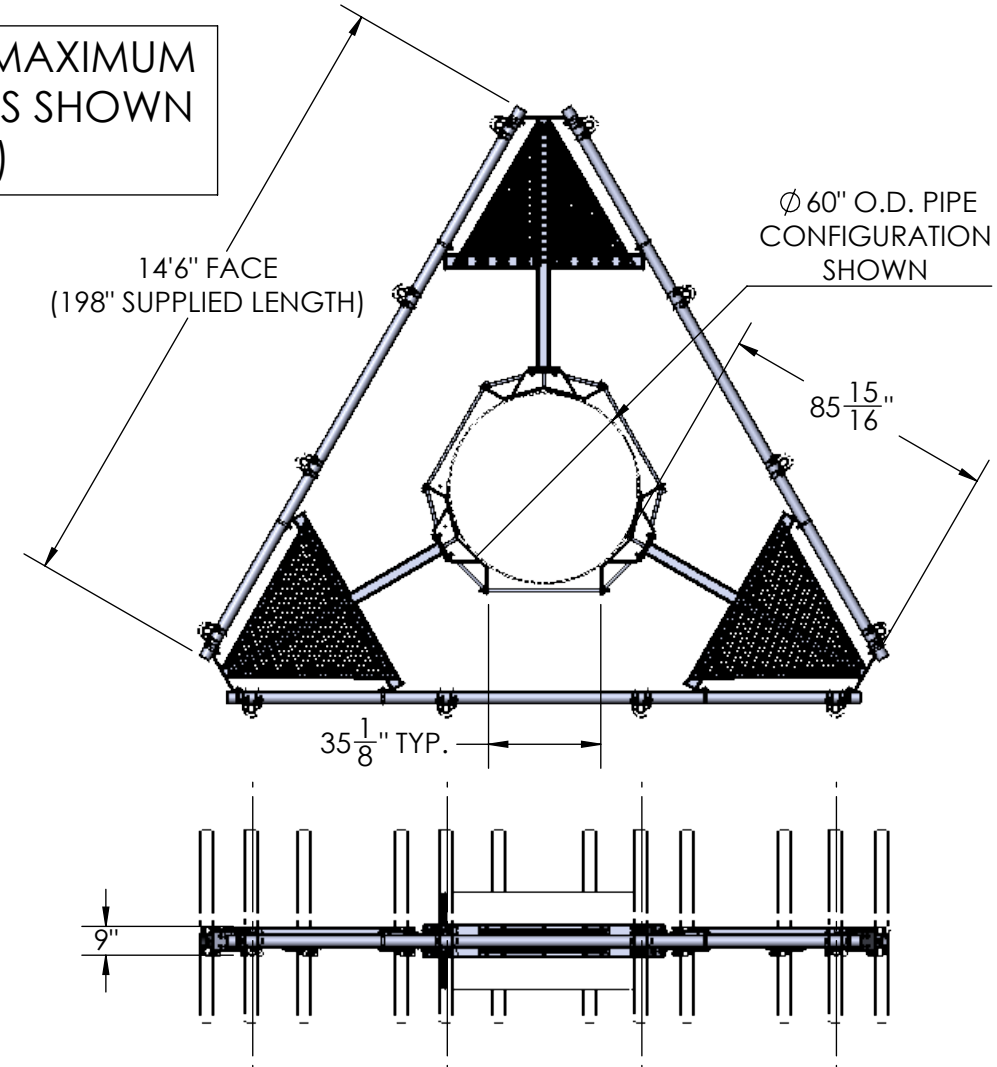
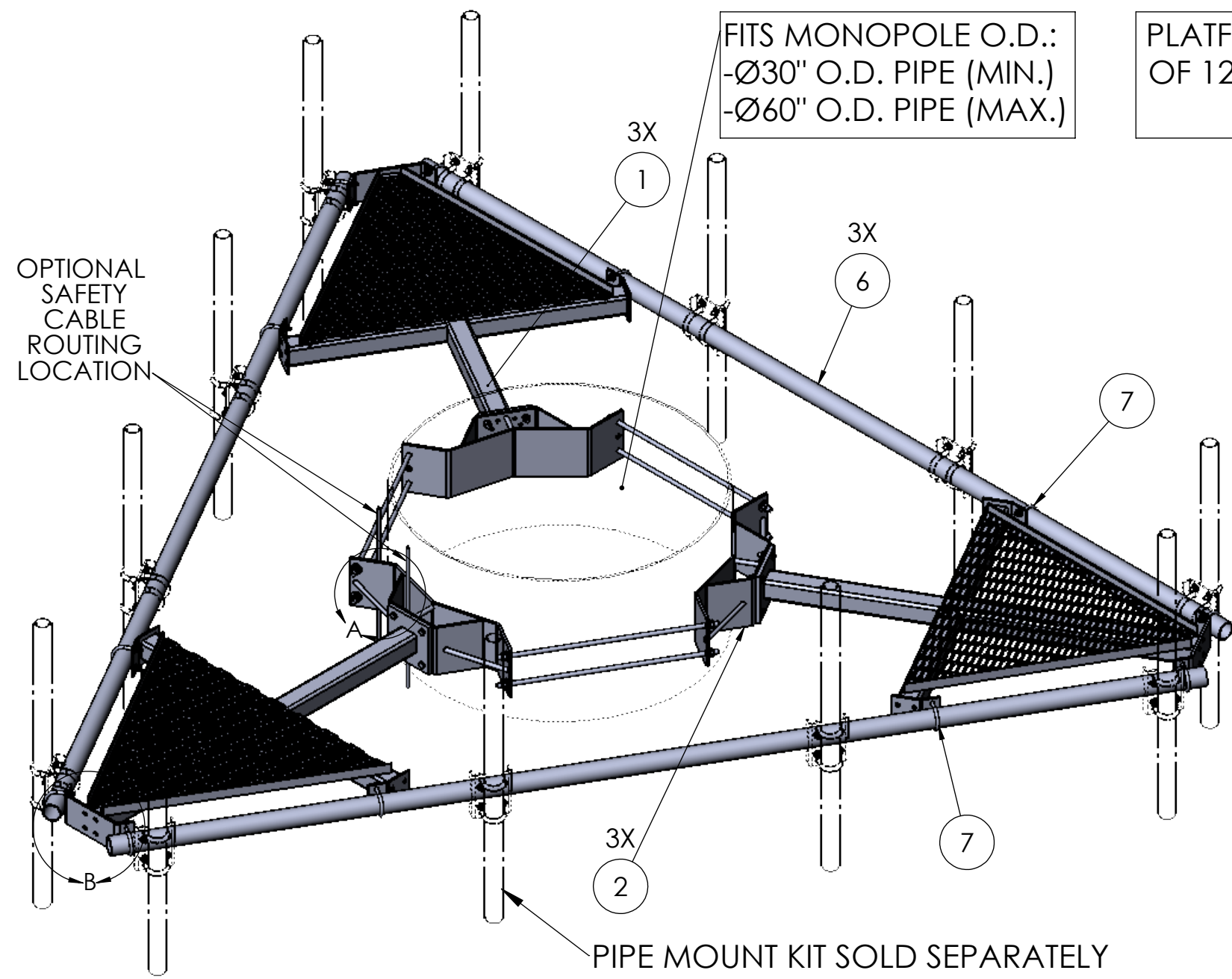
DETAIL B  
SCALE 1 : 8



ITEM NO.	PART NUMBER	DESCRIPTION	MATERIAL	FINISH	QTY.
1	MP1031.01	LARGE PLATFORM SECTION (WELDMENT)	-	H.D.G.	3
2	MP1003.01	30"- 60" UNIVERSAL RING MOUNT	-	H.D.G.	3
3	GR750.040	3/4" x 40" THREADED ROD	B7	H.D.G.	6
4	GL06	3/4" LOCK WASHER	GR.5	H.D.G.	12
5	GN06A	3/4" HEX NUT	A325	H.D.G.	12
6	GP3500.198	PLAIN END GALV PIPE, 3-1/2" O.D. x 198" (16'-6")	ASTM A500	H.D.G.	3
7	GU43550	1/2" x 5" x 3-5/8" x 2-1/2" U-BOLT	GR.5	H.D.G.	12
8	GF04	1/2" WASHER	GR.5	H.D.G.	24
9	GL04	1/2" LOCK WASHER	GR.5	H.D.G.	24
10	GN04	1/2" HEX NUT	GR.5	H.D.G.	24
11	GB0524A	5/8" x 2-1/2" HEX BOLT	A325	H.D.G.	12
12	GL05	5/8" LOCK WASHER	GR.5	H.D.G.	12
13	GN05A	5/8" HEX NUT	A325	H.D.G.	12
14	GF06	3/4" WASHER	GR.5	H.D.G.	12

FITS MONOPOLE O.D.:  
-Ø30" O.D. PIPE (MIN.)  
-Ø60" O.D. PIPE (MAX.)

PLATFORM ACCEPTS A MAXIMUM  
OF 12 ANTENNA PIPES AS SHOWN  
(4 PER SECTOR)



UNLESS OTHERWISE SPECIFIED: DIMENSIONS ARE IN INCHES TOLERANCE ± 1/16		DESCRIPTION: 14'-6" PLATFORM KIT, 30"-60" POLE (ANTENNA PIPE & PIPE MOUNTS NOT INCLUDED)	
MATERIAL: -		 <b>PRO TOWER MANUFACTURING L.L.C.</b> 5601 San Francisco St. NE Albuquerque, N.M. 87109 (505) 924-2810	DWG NO: MPPK.174LB
FINISH: H.D.G.			DRAWN BY: AJK CHECKED BY: E.FILMER SHEET: 1 of 1
PROPRIETARY AND CONFIDENTIAL THE INFORMATION CONTAINED IN THIS DRAWING IS THE SOLE PROPERTY OF PRO TOWER MANUFACTURING L.L.C. ANY REPRODUCTION IN PART OR AS A WHOLE WITHOUT THE WRITTEN PERMISSION OF PRO TOWER MANUFACTURING L.L.C. IS PROHIBITED.		DATE: 10/15/2020 DATE: 10/15/2020 SCALE: NTS	REV WEIGHT: 1,462