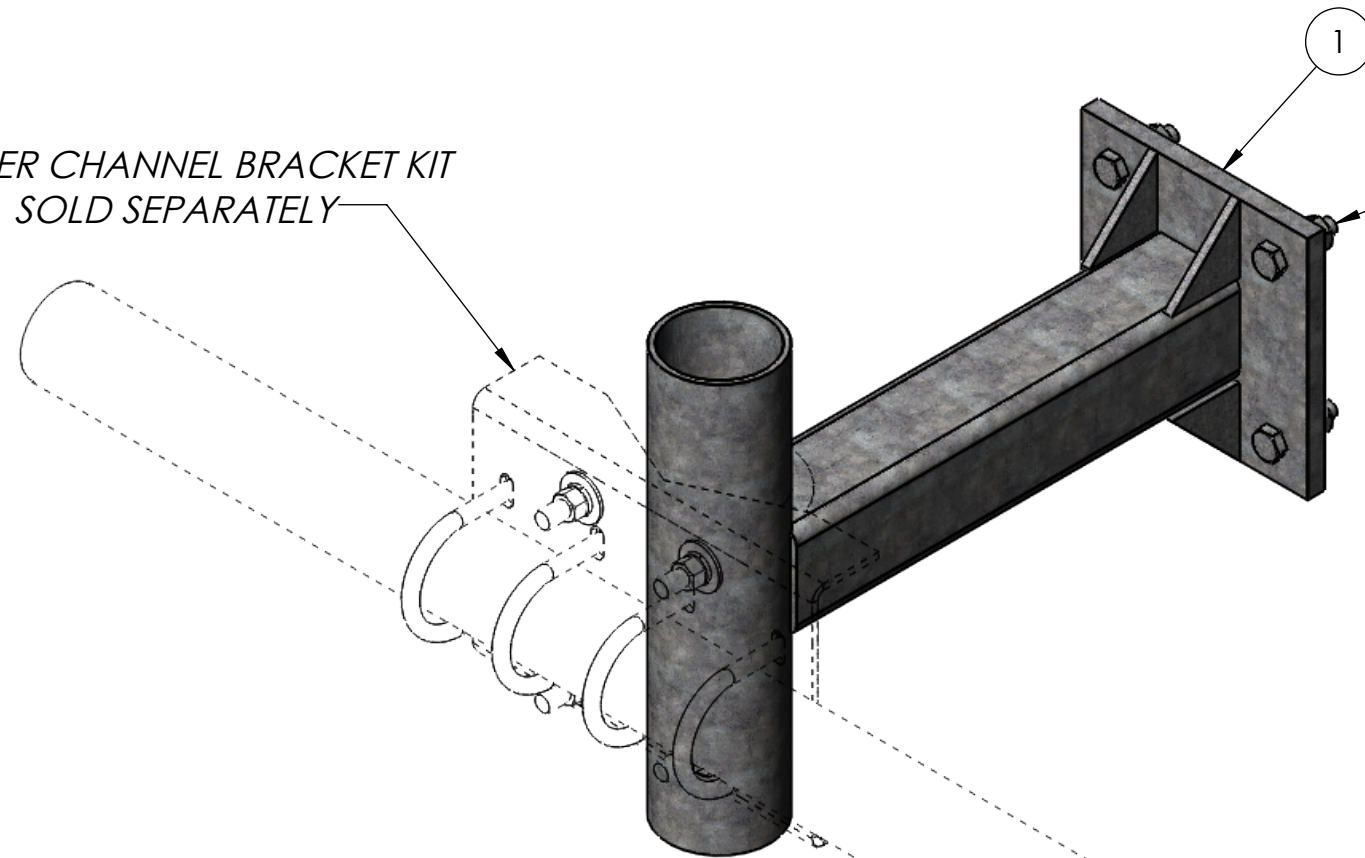


ITEM NO.	PART NUMBER	DESCRIPTION	FINISH	WEIGHT (PER)	QTY.
1	MP1139.01	24" T-ARM PIPE SUPPORT (WELDMENT)	H.D.G.	58.33	1
2	GB0524A	5/8" x 2-1/2" HEX BOLT	H.D.G.	0.33	4
3	GL05	5/8" LOCK WASHER	H.D.G.	0.03	4
4	GN05A	5/8" HEX NUT (2H)	H.D.G.	0.12	4

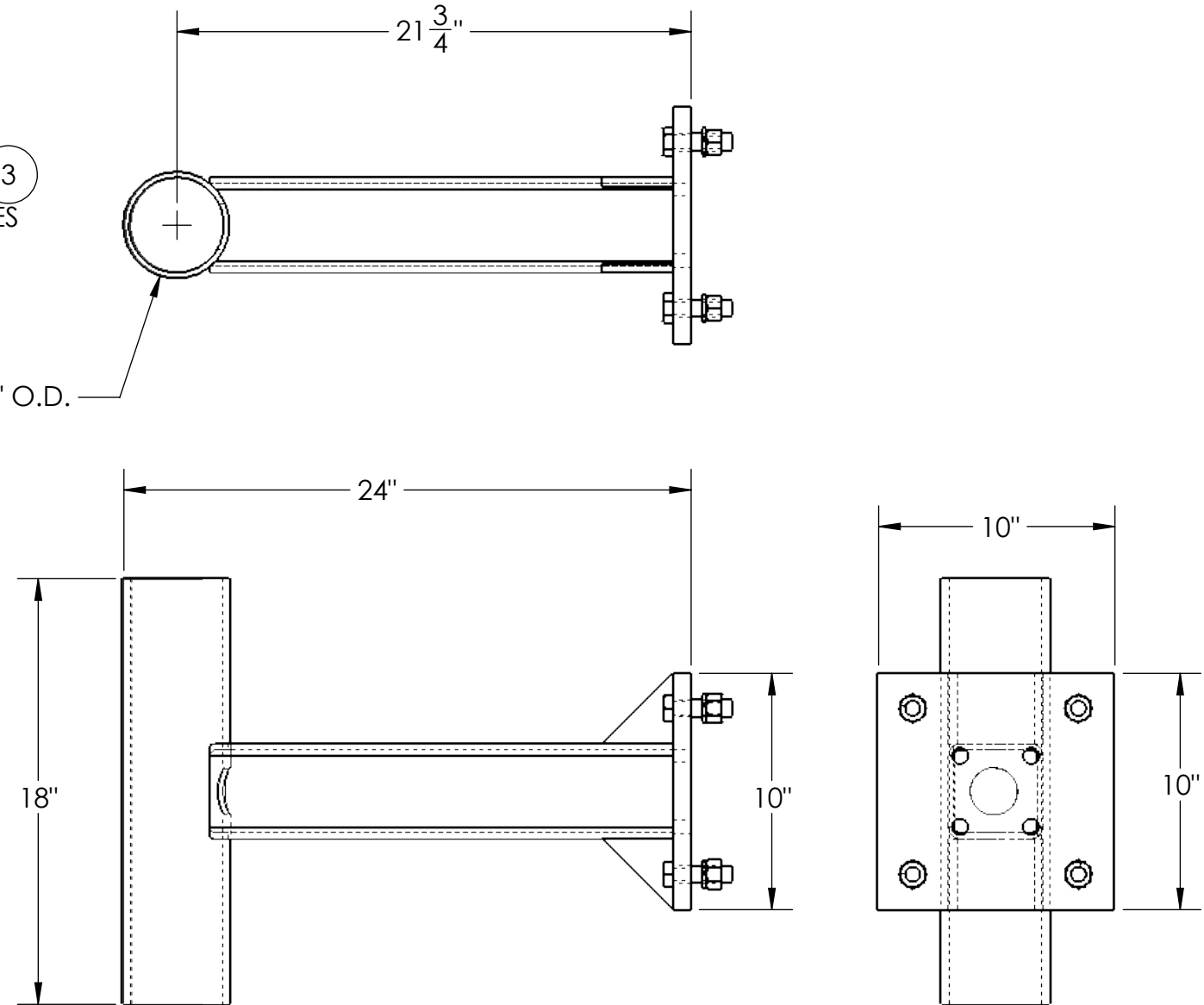
CENTER CHANNEL BRACKET KIT
SOLD SEPARATELY



3-1/2" O.D. PIPE
SOLD SEPARATELY

2 4 3
(4) PLACES

Ø 4 1/2" O.D.



UNLESS OTHERWISE SPECIFIED: DIMENSIONS ARE IN INCHES TOLERANCE ± 1/16		DESCRIPTION: T-ARM PIPE SUPPORT KIT, 24"		
MATERIAL -		 PRO TOWER MANUFACTURING L.L.C. 5601 San Francisco St. NE Albuquerque, N.M. 87109 (505) 924-2810	DWG NO: MP1139	
FINISH H.D.G.	PROPRIETARY AND CONFIDENTIAL THE INFORMATION CONTAINED IN THIS DRAWING IS THE SOLE PROPERTY OF PRO TOWER MANUFACTURING L.L.C. ANY REPRODUCTION IN PART OR AS A WHOLE WITHOUT THE WRITTEN PERMISSION OF PRO TOWER MANUFACTURING L.L.C. IS PROHIBITED.		DRAWN BY: AJK CHECKED BY: E.FILMER SHEET: 1 of 1	DATE: 6/27/2022 DATE: 6/27/2022 SCALE: NTS