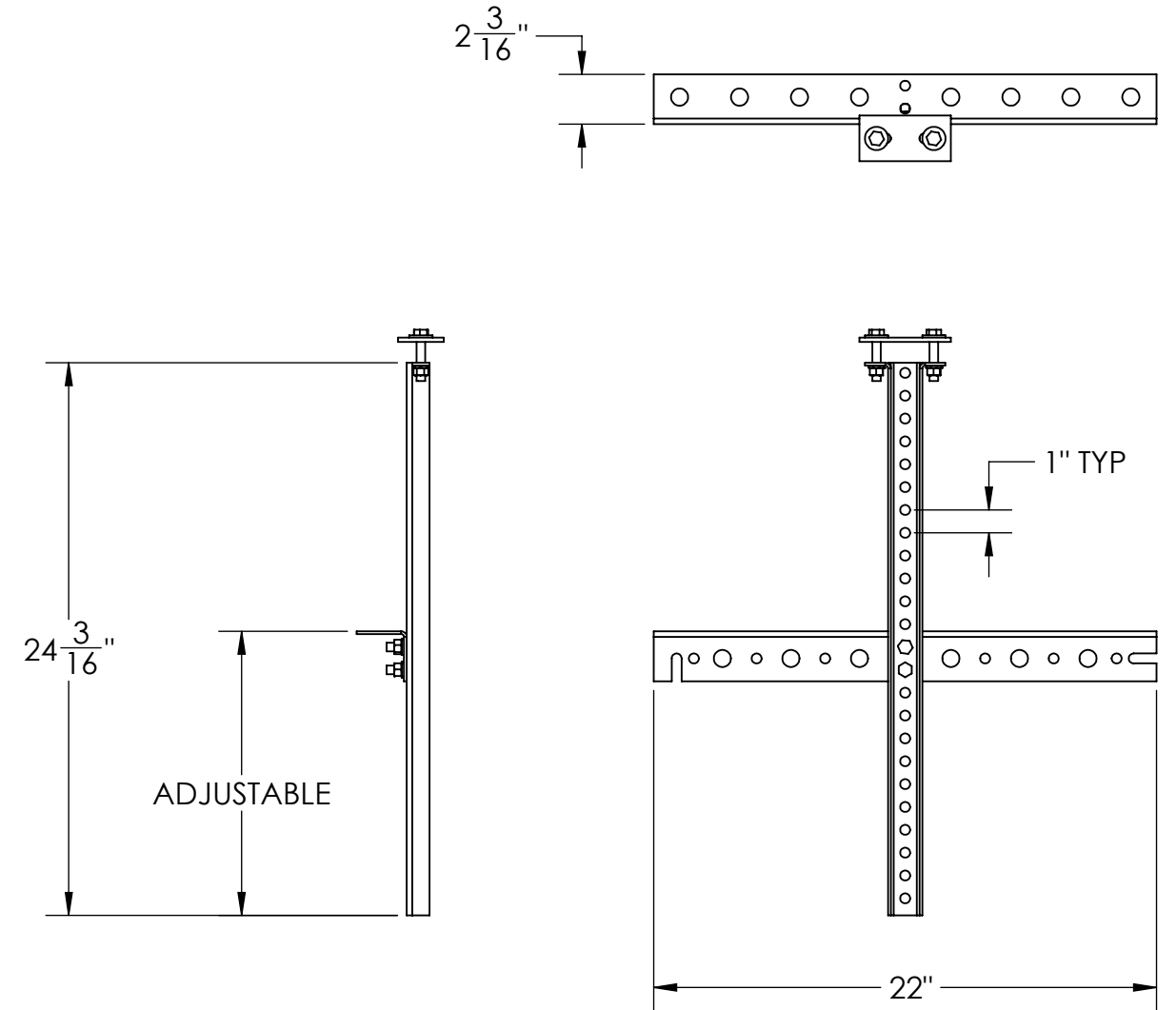


ITEM NO.	PART NUMBER	DESCRIPTION	FINISH	WEIGHT (PER)	QTY.
1	CS3043.01	TRAPEZE VERTICAL BRACKET (11GA SHEET)	H.D.G.	2.47	1
2	CS3046.01	24" ADJUSTABLE TRAPEZE RUNG (11GA SHEET)	H.D.G.	2.83	1
3	CS3043.03	TRAPEZE ATTACHMENT PLATE	H.D.G.	0.38	1
4	GB03205	3/8" x 2" BOLT	H.D.G.	0.08	2
5	GF03	3/8" FLAT WASHER	H.D.G.	0.02	2
6	GN03	3/8" HEX NUT	H.D.G.	0.02	4
7	GL03	3/8" LOCK WASHER	H.D.G.	0.01	4
8	GB03105	3/8" x 1" BOLT	H.D.G.	0.05	2



UNLESS OTHERWISE SPECIFIED: DIMENSIONS ARE IN INCHES TOLERANCE ± 1/16		DESCRIPTION: 24" TRAPEZE KIT, SINGLE LEVEL TEE BRACKET, KIT OF 1		
MATERIAL -		 PRO TOWER MANUFACTURING L.L.C. 5601 San Francisco St. NE Albuquerque, N.M. 87109 (505) 924-2810	DWG NO: CS3046	
FINISH H.D.G.			DRAWN BY: AJK CHECKED BY: E.FILMER SHEET: 1 of 1	DATE: 7/26/2021 DATE: 7/26/2021 SCALE: NTS

SIZE **B**

PROPRIETARY AND CONFIDENTIAL
 THE INFORMATION CONTAINED IN THIS
 DRAWING IS THE SOLE PROPERTY OF
 PRO TOWER MANUFACTURING L.L.C. ANY
 REPRODUCTION IN PART OR AS A WHOLE
 WITHOUT THE WRITTEN PERMISSION OF
 PRO TOWER MANUFACTURING L.L.C. IS
 PROHIBITED.