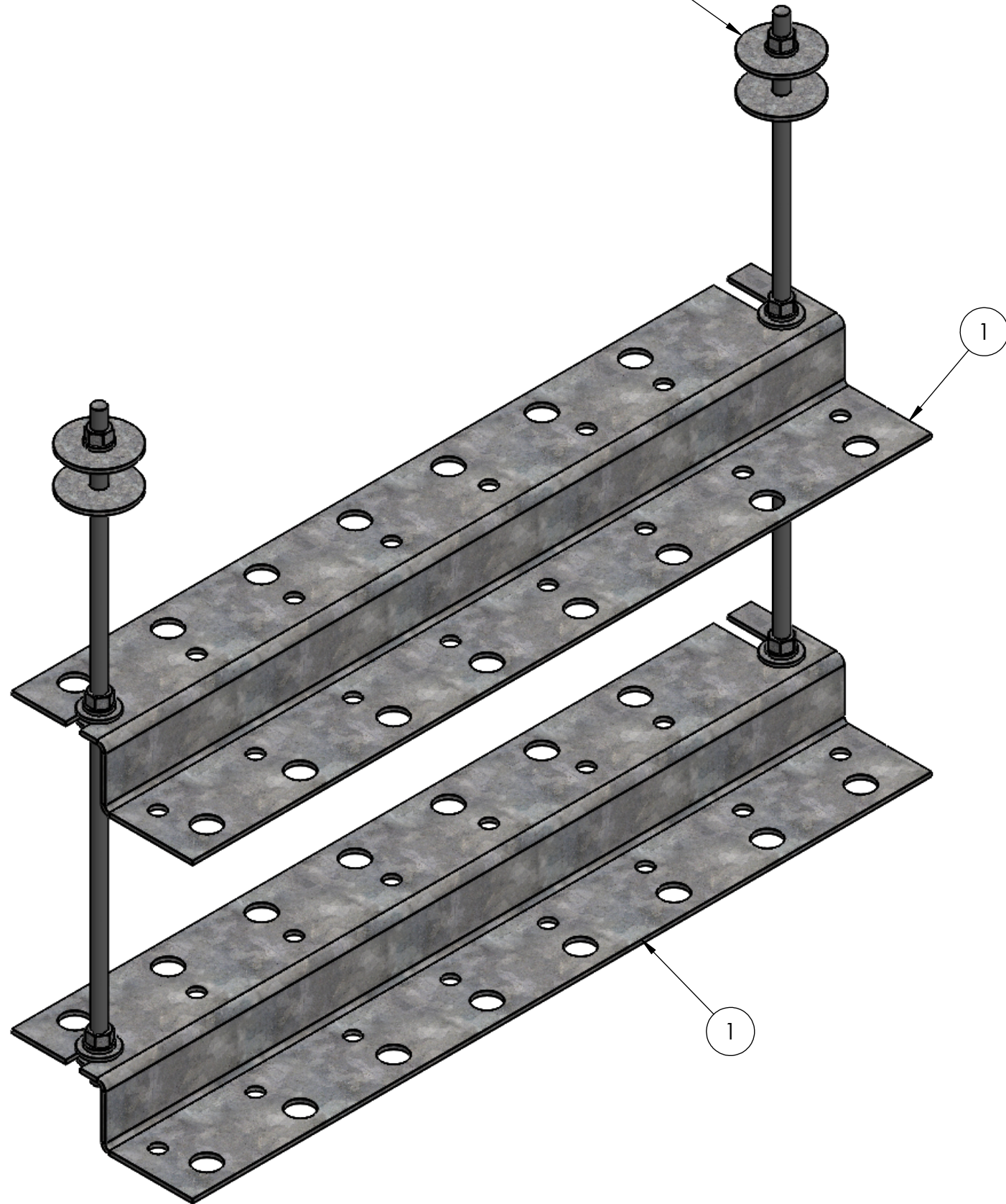
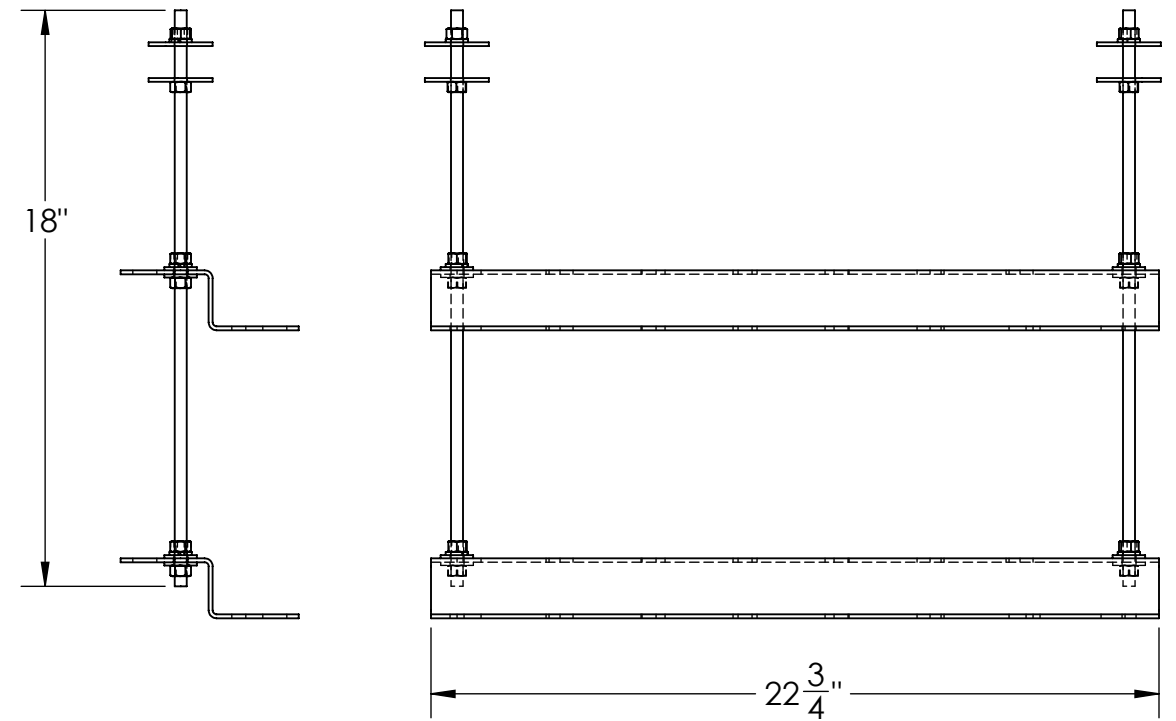
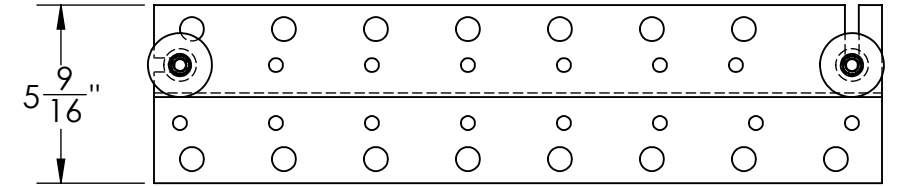


4X 6X 3X 2X
 6 5 4 3 2
 (2) PLACES



ITEM NO.	PART NUMBER	DESCRIPTION	FINISH	WEIGHT (PER)	QTY.
1	CS3050.01	24" WAVEGUIDE Z BRACKET (11GA SHEET)	H.D.G.	5.42	2
2	GF03L	3/8" FENDER WASHER	H.D.G.	0.10	4
3	GL03	3/8" LOCK WASHER	H.D.G.	0.01	6
4	GN03	3/8" HEX NUT	H.D.G.	0.02	12
5	GF03	3/8" FLAT WASHER	H.D.G.	0.02	8
6	GR375.018	3/8" x 18" THREADED ROD	H.D.G.	0.57	2



MATERIAL -	FINISH H.D.G.	SIZE B	UNLESS OTHERWISE SPECIFIED: DIMENSIONS ARE IN INCHES TOLERANCE ± 1/16	DESCRIPTION: 24" TRAPEZE KIT, DOUBLE LEVEL Z BRACKET, KIT OF 1	DWG NO: CS3051	
			PROPRIETARY AND CONFIDENTIAL THE INFORMATION CONTAINED IN THIS DRAWING IS THE SOLE PROPERTY OF PRO TOWER MANUFACTURING L.L.C. ANY REPRODUCTION IN PART OR AS A WHOLE WITHOUT THE WRITTEN PERMISSION OF PRO TOWER MANUFACTURING L.L.C. IS PROHIBITED.	 PRO TOWER MANUFACTURING L.L.C. 5601 San Francisco St. NE Albuquerque, N.M. 87109 (505) 924-2810	DRAWN BY: A.J.K.	DATE: 7/26/2021
		CHECKED BY: E.FILMER	DATE: 7/26/2021		WEIGHT: 12.75	
		SHEET: 1 of 1	SCALE: NTS			