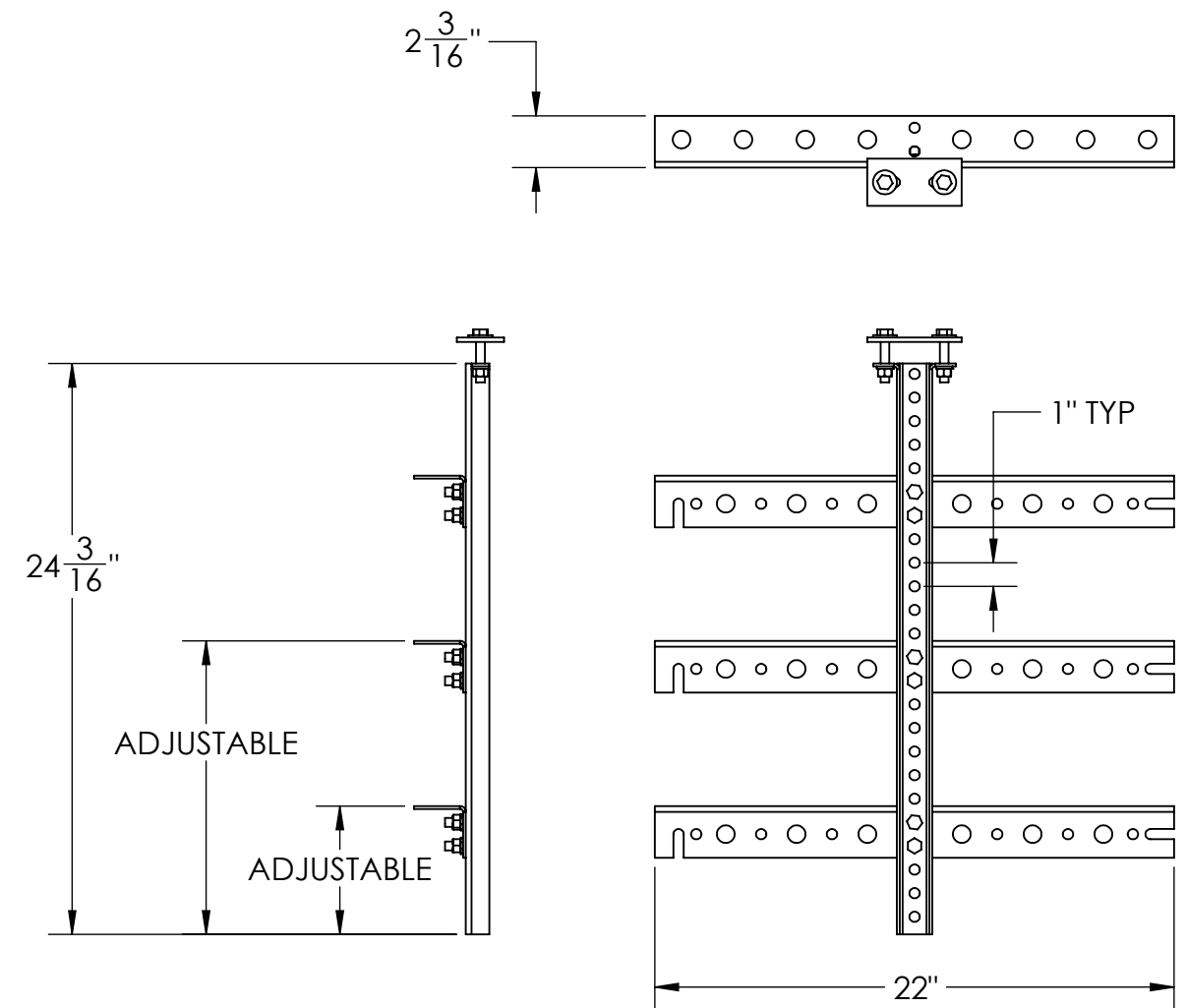


ITEM NO.	PART NUMBER	DESCRIPTION	FINISH	WEIGHT (PER)	QTY.
1	CS3043.01	TRAPEZE VERTICAL BRACKET (11GA SHEET)	H.D.G.	2.47	1
2	CS3046.01	24" ADJUSTABLE TRAPEZE RUNG (11GA SHEET)	H.D.G.	2.83	3
3	CS3043.03	TRAPEZE ATTACHMENT PLATE	H.D.G.	0.38	1
4	GB03205	3/8" x 2" BOLT	H.D.G.	0.08	2
5	GF03	3/8" FLAT WASHER	H.D.G.	0.02	2
6	GN03	3/8" HEX NUT	H.D.G.	0.02	8
7	GL03	3/8" LOCK WASHER	H.D.G.	0.01	8
8	GB03105	3/8" x 1" BOLT	H.D.G.	0.05	6



MATERIAL -	FINISH H.D.G.	SIZE <b>B</b>	UNLESS OTHERWISE SPECIFIED: DIMENSIONS ARE IN INCHES TOLERANCE ± 1/16		DESCRIPTION: 24" TRAPEZE KIT, TRIPLE LEVEL TEE BRACKET, KIT OF 1	
			PROPRIETARY AND CONFIDENTIAL THE INFORMATION CONTAINED IN THIS DRAWING IS THE SOLE PROPERTY OF PRO TOWER MANUFACTURING L.L.C. ANY REPRODUCTION IN PART OR AS A WHOLE WITHOUT THE WRITTEN PERMISSION OF PRO TOWER MANUFACTURING L.L.C. IS PROHIBITED.		 <b>PRO TOWER MANUFACTURING L.L.C.</b> 5601 San Francisco St. NE Albuquerque, N.M. 87109 (505) 924-2810	
				DRAWN BY: A.J.K.	DATE: 7/26/2021	REV
				CHECKED BY: E.FILMER	DATE: 7/26/2021	WEIGHT:
				SHEET: 1 of 1	SCALE: NTS	12.02