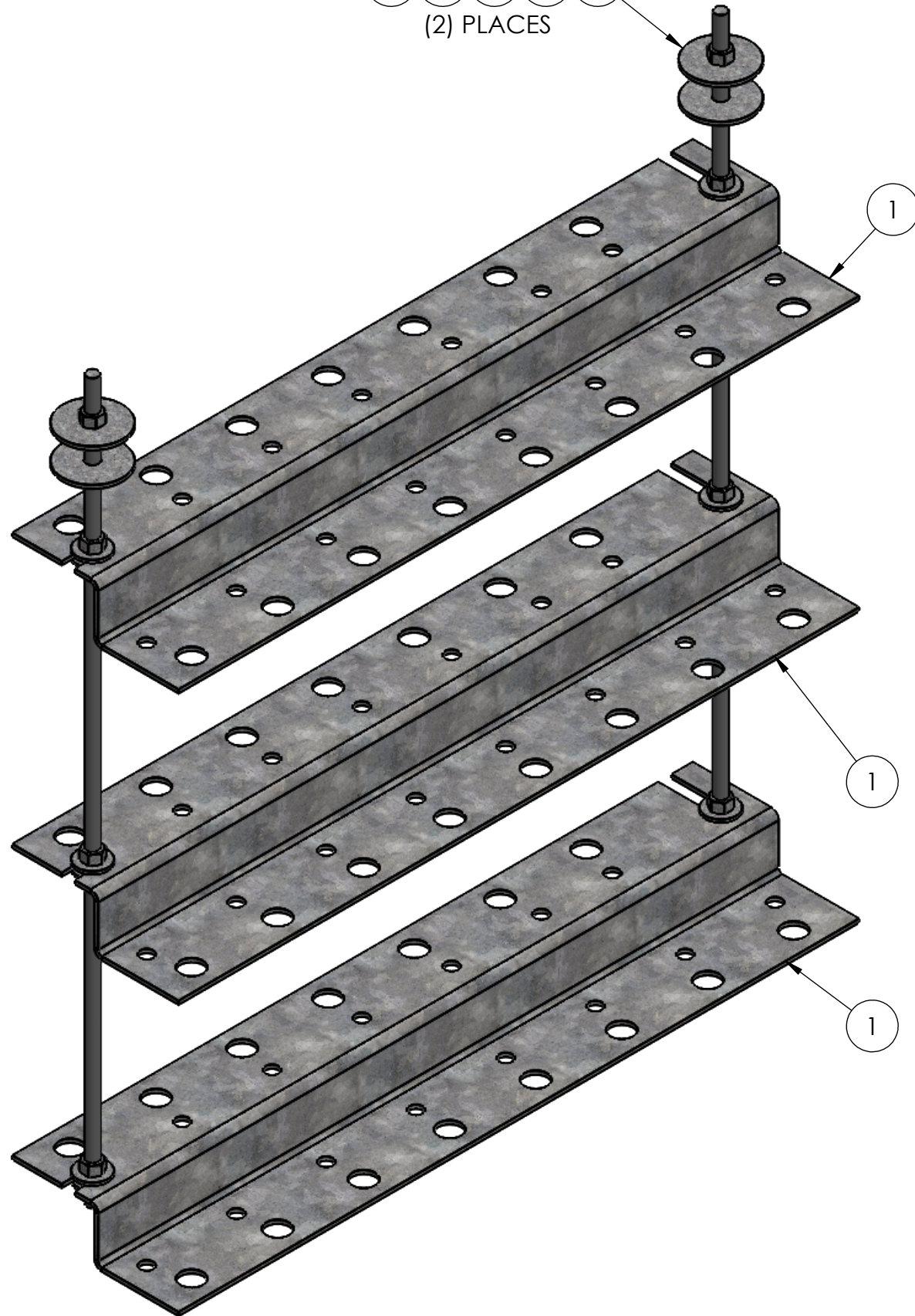
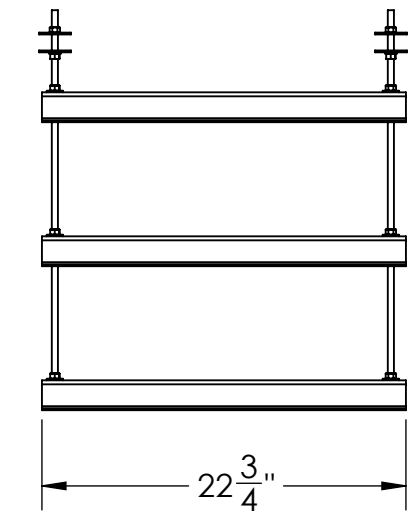
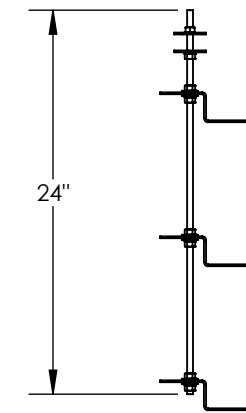
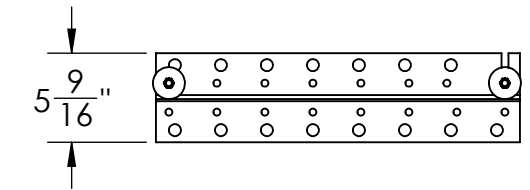


6X 8X 4X 2X  
 6 5 4 3 2  
 (2) PLACES



ITEM NO.	PART NUMBER	DESCRIPTION	FINISH	WEIGHT (PER)	QTY.
1	CS3050.01	24" WAVEGUIDE Z BRACKET (11GA SHEET)	H.D.G.	5.42	3
2	GF03L	3/8" FENDER WASHER	H.D.G.	0.10	4
3	GL03	3/8" LOCK WASHER	H.D.G.	0.01	8
4	GN03	3/8" HEX NUT	H.D.G.	0.02	16
5	GF03	3/8" FLAT WASHER	H.D.G.	0.02	12
6	GR375.024	3/8" x 24" THREADED ROD	H.D.G.	0.75	2



MATERIAL - FINISH H.D.G.	SIZE <b>B</b>	UNLESS OTHERWISE SPECIFIED: DIMENSIONS ARE IN INCHES TOLERANCE ± 1/16	DESCRIPTION: 24" TRAPEZE KIT, TRIPLE LEVEL Z BRACKET, KIT OF 1		
		PROPRIETARY AND CONFIDENTIAL THE INFORMATION CONTAINED IN THIS DRAWING IS THE SOLE PROPERTY OF PRO TOWER MANUFACTURING L.L.C. ANY REPRODUCTION IN PART OR AS A WHOLE WITHOUT THE WRITTEN PERMISSION OF PRO TOWER MANUFACTURING L.L.C. IS PROHIBITED.	 <b>PRO TOWER          MANUFACTURING          L.L.C.</b> 5601 San Francisco St. NE Albuquerque, N.M. 87109 (505) 924-2810	DWG NO: CS3052	DRAWN BY: AJK DATE: 7/26/2021 REV