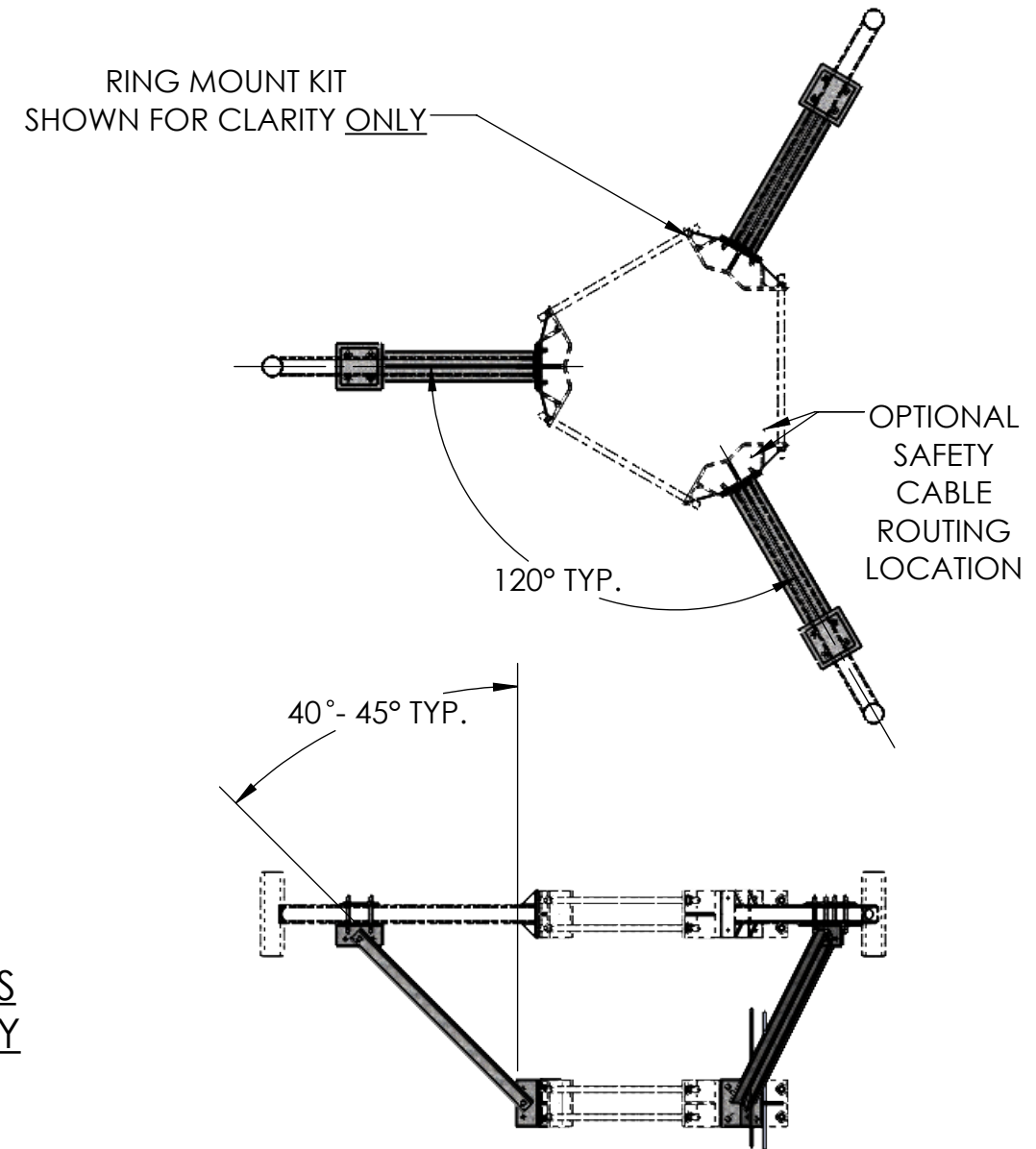
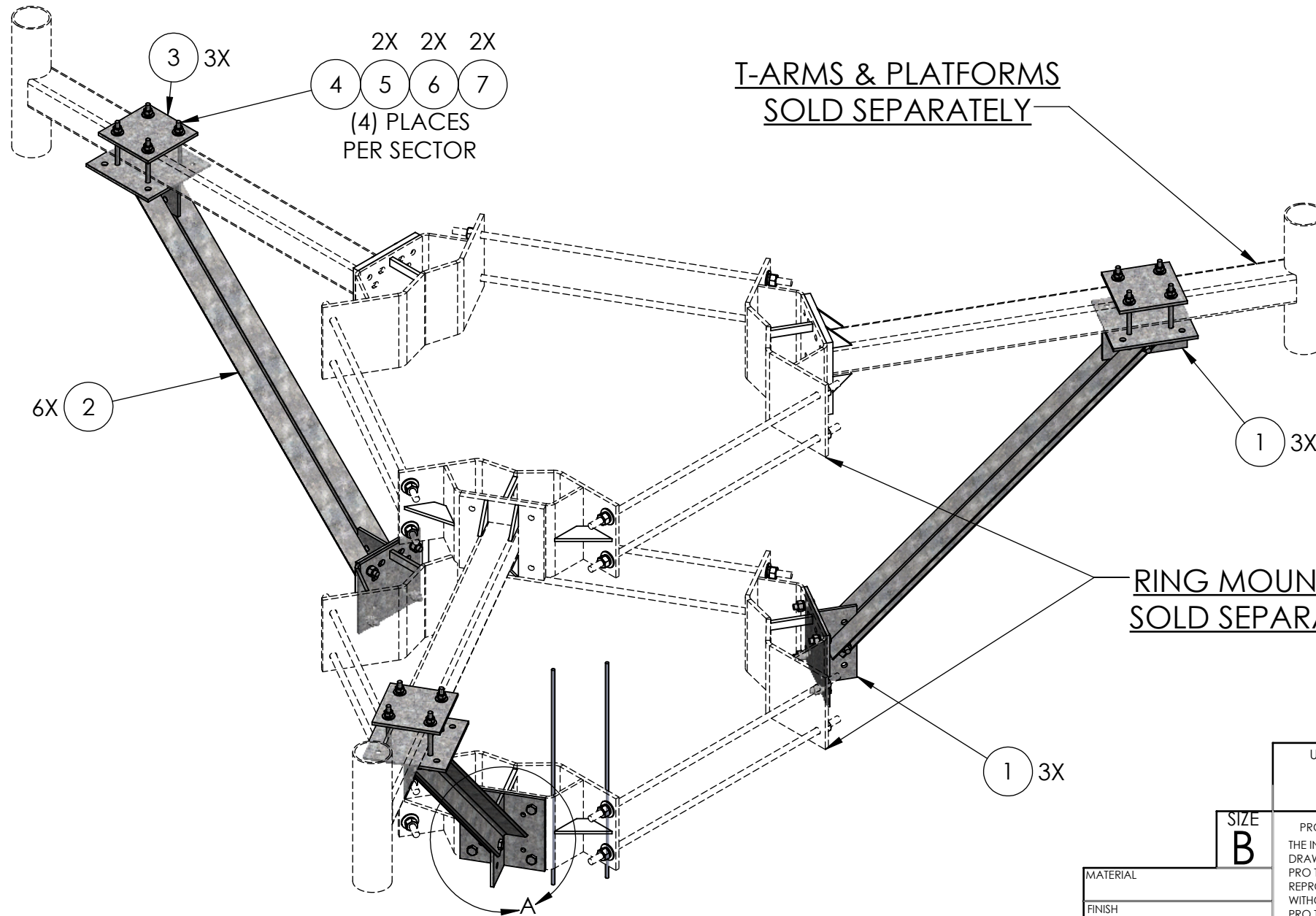
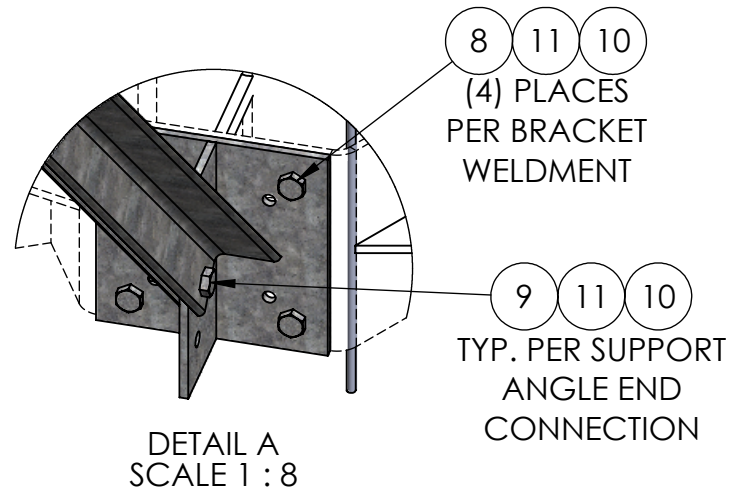


**THIS KIT INCLUDES:  
-3 SECTOR MONOPOLE REINFORCEMENT KIT**

ITEM NO.	PART NUMBER	DESCRIPTION	FINISH	WEIGHT (PER)	QTY.
1	MP1200.02	BRACKET WELDMENT	H.D.G.	15.38	6
2	MP1200.03	SUPPORT ANGLE (L3" x 3" x 1/4" x 53")	H.D.G.	21.66	6
3	MP1200.04	BACKER PLATE (PL. 3/8" x 8" x 8")	H.D.G.	6.72	3
4	GR500.008	1/2" x 8" THREADED ROD	H.D.G.	0.45	12
5	GN04A	1/2" HEX NUT (2H)	H.D.G.	0.06	24
6	GL04	1/2" LOCK WASHER	H.D.G.	0.02	24
7	GF04	1/2" FLAT WASHER	H.D.G.	0.04	24
8	GB0520A	5/8" x 2" HEX BOLT	H.D.G.	0.28	12
9	GB0522A	5/8" x 2-1/4" HEX BOLT	H.D.G.	0.31	6
10	GN05A	5/8" HEX NUT (2H)	H.D.G.	0.12	18
11	GL05	5/8" LOCK WASHER	H.D.G.	0.03	18



UNLESS OTHERWISE SPECIFIED: DIMENSIONS ARE IN INCHES TOLERANCE ± 1/16		DESCRIPTION: MONOPOLE REINFORCEMENT KIT FOR PLATFORMS OR T-ARMS	
PROPRIETARY AND CONFIDENTIAL THE INFORMATION CONTAINED IN THIS DRAWING IS THE SOLE PROPERTY OF PRO TOWER MANUFACTURING L.L.C. ANY REPRODUCTION IN PART OR AS A WHOLE WITHOUT THE WRITTEN PERMISSION OF PRO TOWER MANUFACTURING L.L.C. IS PROHIBITED.		DWG NO: MP1200	
MATERIAL	SIZE B	<b>PRO TOWER MANUFACTURING L.L.C.</b> 5601 San Francisco St. NE Albuquerque, N.M. 87109 (505) 924-2810	DRAWN BY: AJK
FINISH			DATE: 6/20/2022
			REV
			CHECKED BY: E. FILMER
			DATE: 6/20/2022
			WEIGHT: 258.60
			SHEET: 1 of 1
			SCALE: NTS