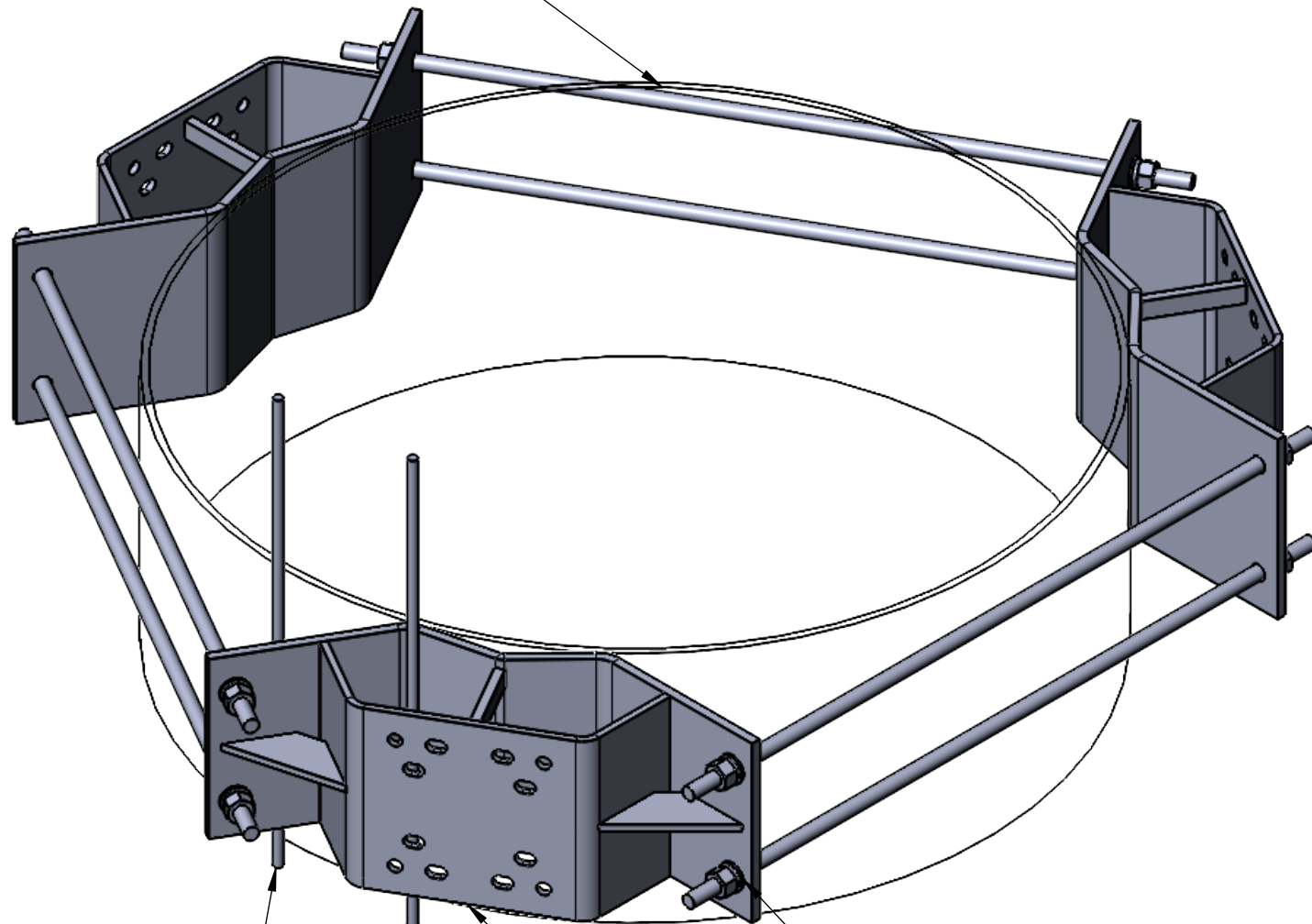
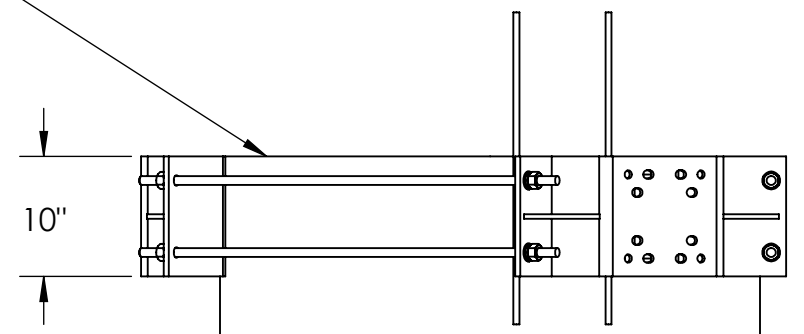
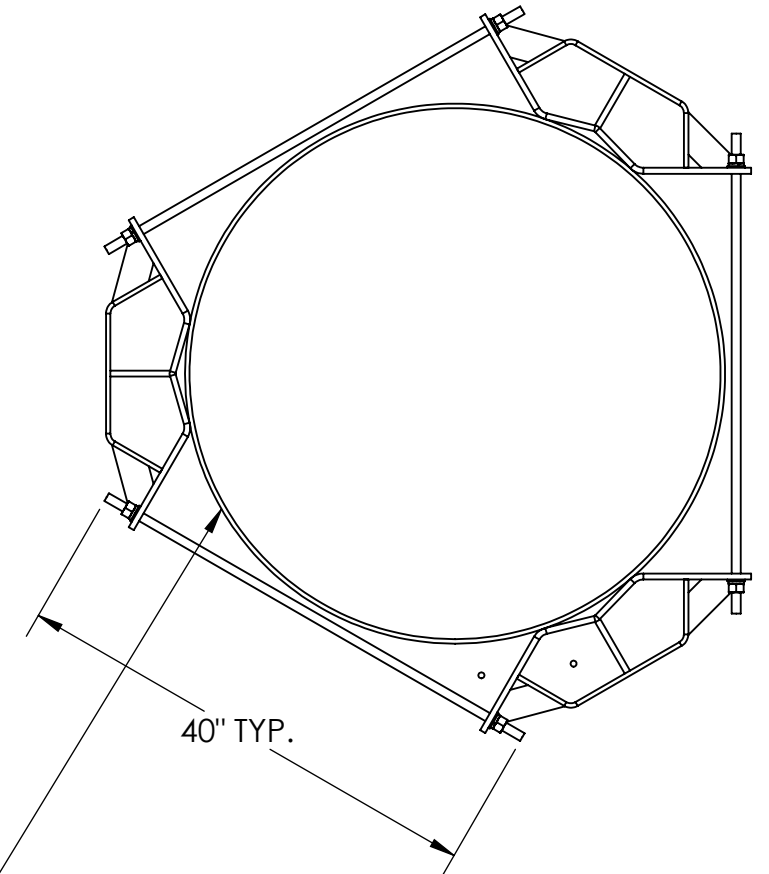


ITEM NO.	PART NUMBER	DESCRIPTION	MATERIAL	WEIGHT (PER)	QTY.
1	MP1004.01	10"- 45" 3 SECTOR RING MOUNT (WELDMENT)	-	67.07	3
2	GF06A	3/4" WASHER	F436	0.05	12
3	GL06	3/4" LOCK WASHER	-	0.05	12
4	GN06A	3/4" HEX NUT	A563	0.18	12
5	GR750.040	3/4" x 40" THREADED ROD	B7	5.01	6

EXISTING Ø10" TO Ø45" O.D.  
MONOPOLE



Ø45" O.D. PIPE  
CONFIGURATION  
SHOWN



OPTIONAL  
SAFETY  
CABLE  
ROUTING  
LOCATIONS

3X  
1

2X 2X 2X  
2 3 4 5  
(6) PLACES

MATERIAL -  
FINISH H.D.G.

SIZE  
B

UNLESS OTHERWISE SPECIFIED:  
DIMENSIONS ARE IN INCHES  
TOLERANCE ± 1/16

PROPRIETARY AND CONFIDENTIAL  
THE INFORMATION CONTAINED IN THIS  
DRAWING IS THE SOLE PROPERTY OF  
PRO TOWER MANUFACTURING L.L.C. ANY  
REPRODUCTION IN PART OR AS A WHOLE  
WITHOUT THE WRITTEN PERMISSION OF  
PRO TOWER MANUFACTURING L.L.C. IS  
PROHIBITED.

DESCRIPTION: 3 SECTOR 10IN, 10" TO 45" RING MOUNT



**PRO TOWER  
MANUFACTURING  
L.L.C.**  
5601 San Francisco St. NE  
Albuquerque, N.M. 87109  
(505) 924-2810

DWG NO: MP1004

DRAWN BY: AJK	DATE: 12/15/2020	REV
CHECKED BY: T.SMYTHE	DATE: 12/15/2020	WEIGHT: 234.63
SHEET: 1 of 1	SCALE: NTS	