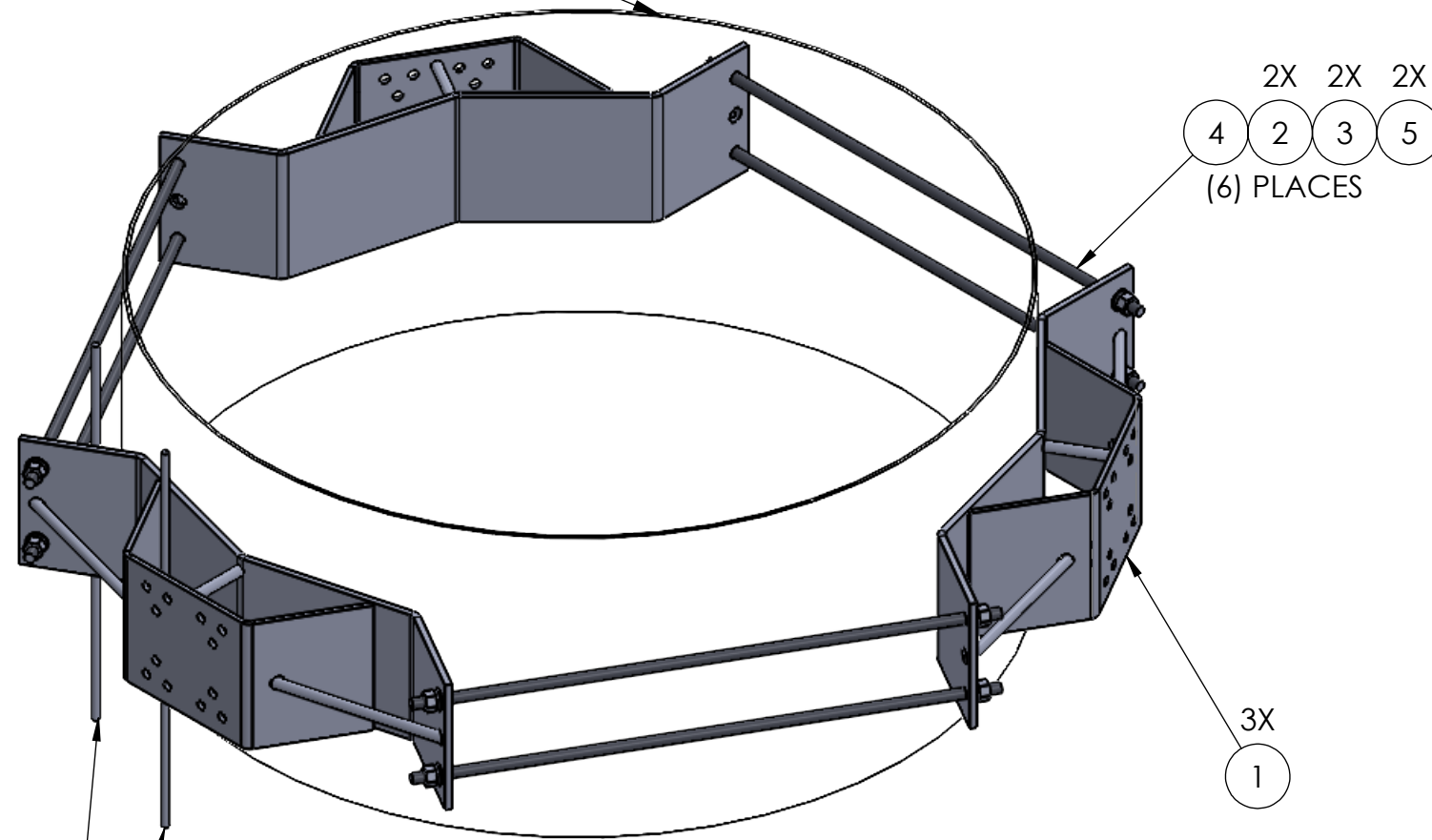
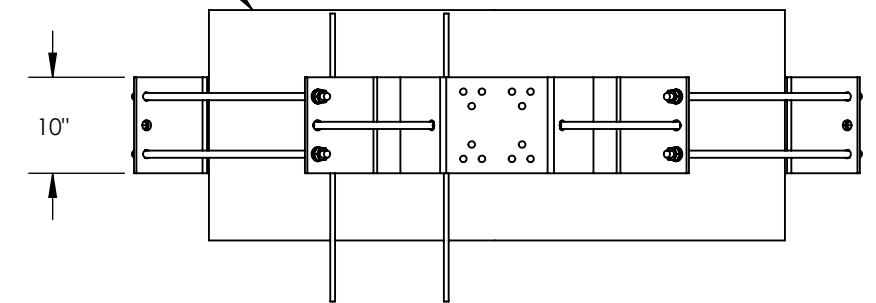
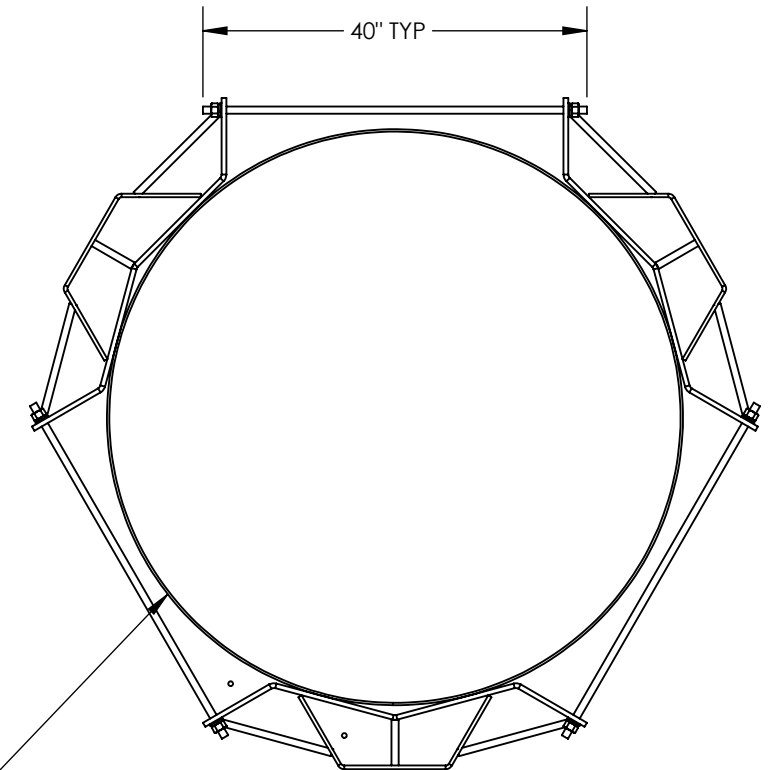


ITEM NO.	PART NUMBER	DESCRIPTION	MATERIAL	FINISH	WEIGHT (PER)	QTY.
1	MP1003.01	30" - 60" 3 SECTOR RING MOUNT (WELDMENT)	-	H.D.G.	95.96	3
2	GN06A	3/4" HEX NUT	A563	H.D.G.	0.18	12
3	GL06	3/4" LOCK WASHER	-	H.D.G.	0.05	12
4	GR750.040	3/4" x 40" THREADED ROD	B7	H.D.G.	5.01	6
5	GF06A	3/4" WASHER	F436	H.D.G.	0.05	12

EXISTING Ø30" TO Ø60" O.D.  
MONOPOLE



Ø60" O.D. PIPE  
CONFIGURATION  
SHOWN



OPTIONAL  
SAFETY  
CABLE  
ROUTING  
LOCATION

MATERIAL -  FINISH H.D.G.	SIZE <b>B</b>	UNLESS OTHERWISE SPECIFIED: DIMENSIONS ARE IN INCHES TOLERANCE ± 1/16	DESCRIPTION: 3 SECTOR 10IN, 30' TO 60' RING MOUNT		
		PROPRIETARY AND CONFIDENTIAL THE INFORMATION CONTAINED IN THIS DRAWING IS THE SOLE PROPERTY OF PRO TOWER MANUFACTURING L.L.C. ANY REPRODUCTION IN PART OR AS A WHOLE WITHOUT THE WRITTEN PERMISSION OF PRO TOWER MANUFACTURING L.L.C. IS PROHIBITED.	 <b>PRO TOWER MANUFACTURING L.L.C.</b> 5601 San Francisco St. NE Albuquerque, N.M. 87109 (505) 924-2810	DWG NO: MP1003	
			DRAWN BY: A.J.K. CHECKED BY: E.FILMER SHEET: 1 of 1	DATE: 12/15/2020 DATE: 12/15/2020 SCALE: NTS	REV WEIGHT: 321.30