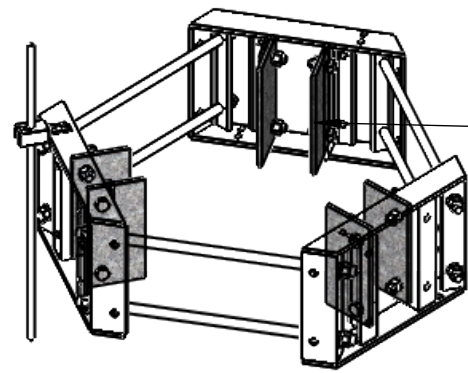
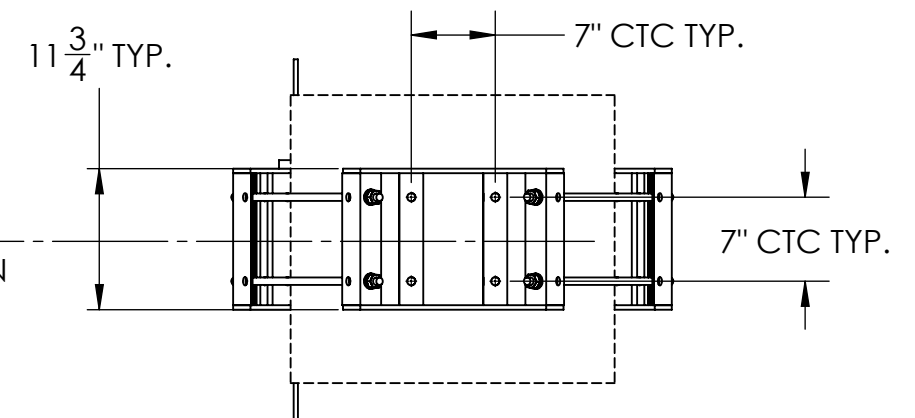
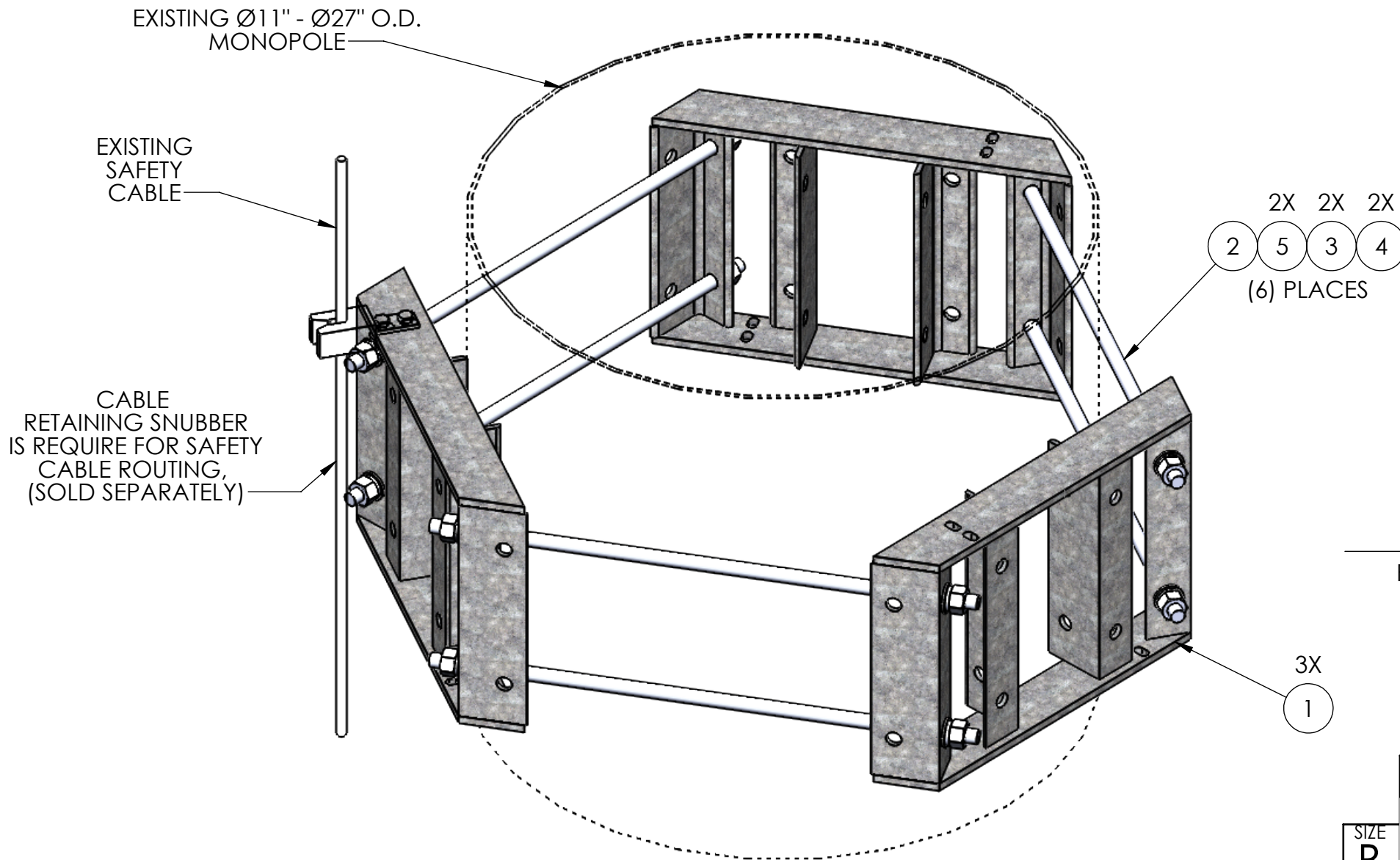
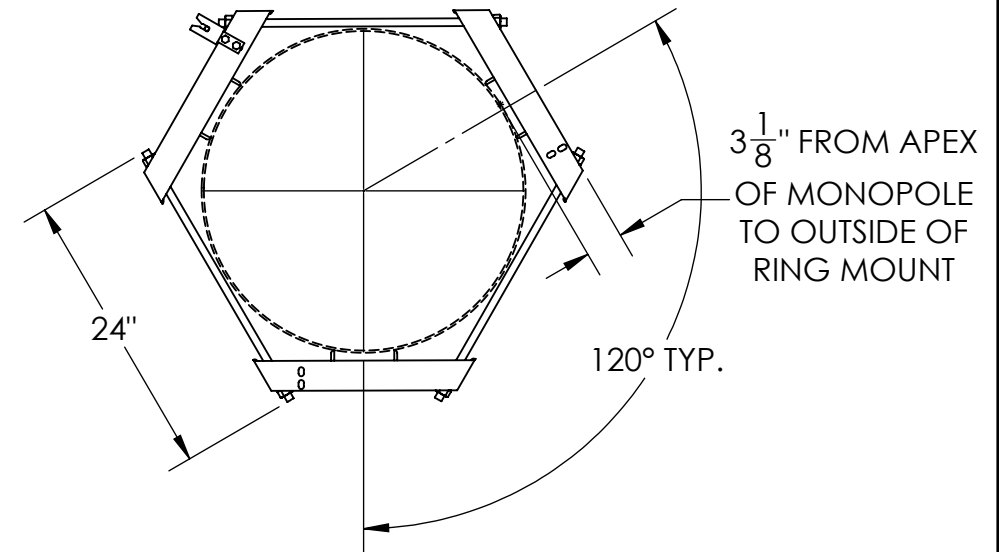


SMALL POLE ADAPTER KIT (SOLD SEPARATELY)



SMALL POLE ADAPTER (MP1006)  
(FITS 6" TO 10-1/2" O.D. PIPE)

ITEM NO.	PART NUMBER	DESCRIPTION	MATERIAL	FINISH	WEIGHT (PER)	QTY.
1	MP1000.01	3 SECTOR LIGHT WEIGHT RING MOUNT (WELDMENT)	-	H.D.G.	23.26	3
2	GR625.024	5/8" x 24" GALV THREADED ROD	B7	H.D.G.	2.14	6
3	GL05	5/8" LOCK WASHER	-	H.D.G.	0.03	12
4	GN05A	5/8" HEX NUT	A563	H.D.G.	0.12	12
5	GF05A	5/8" FLAT WASHER	F436	H.D.G.	0.03	12



UNLESS OTHERWISE SPECIFIED: DIMENSIONS ARE IN INCHES TOLERANCE ± 1/16		DESCRIPTION: 3-SECTOR LIGHT WEIGHT RING MOUNT 11" - 27" POLE DIA.	
MATERIAL: -		 <b>PRO TOWER MANUFACTURING L.L.C.</b> 5601 San Francisco St. NE Albuquerque, N.M. 87109 (505) 924-2810	DWG NO: MP1000
FINISH: H.D.G.			DRAWN BY: AJK CHECKED BY: T.SMYTHE SHEET: 1 of 1
SIZE: <b>B</b>		DATE: 2/10/2021 DATE: 2/10/2021 SCALE: NTS REV: _____ WEIGHT: 87.72	
PROPRIETARY AND CONFIDENTIAL THE INFORMATION CONTAINED IN THIS DRAWING IS THE SOLE PROPERTY OF PRO TOWER MANUFACTURING L.L.C. ANY REPRODUCTION IN PART OR AS A WHOLE WITHOUT THE WRITTEN PERMISSION OF PRO TOWER MANUFACTURING L.L.C. IS PROHIBITED.			