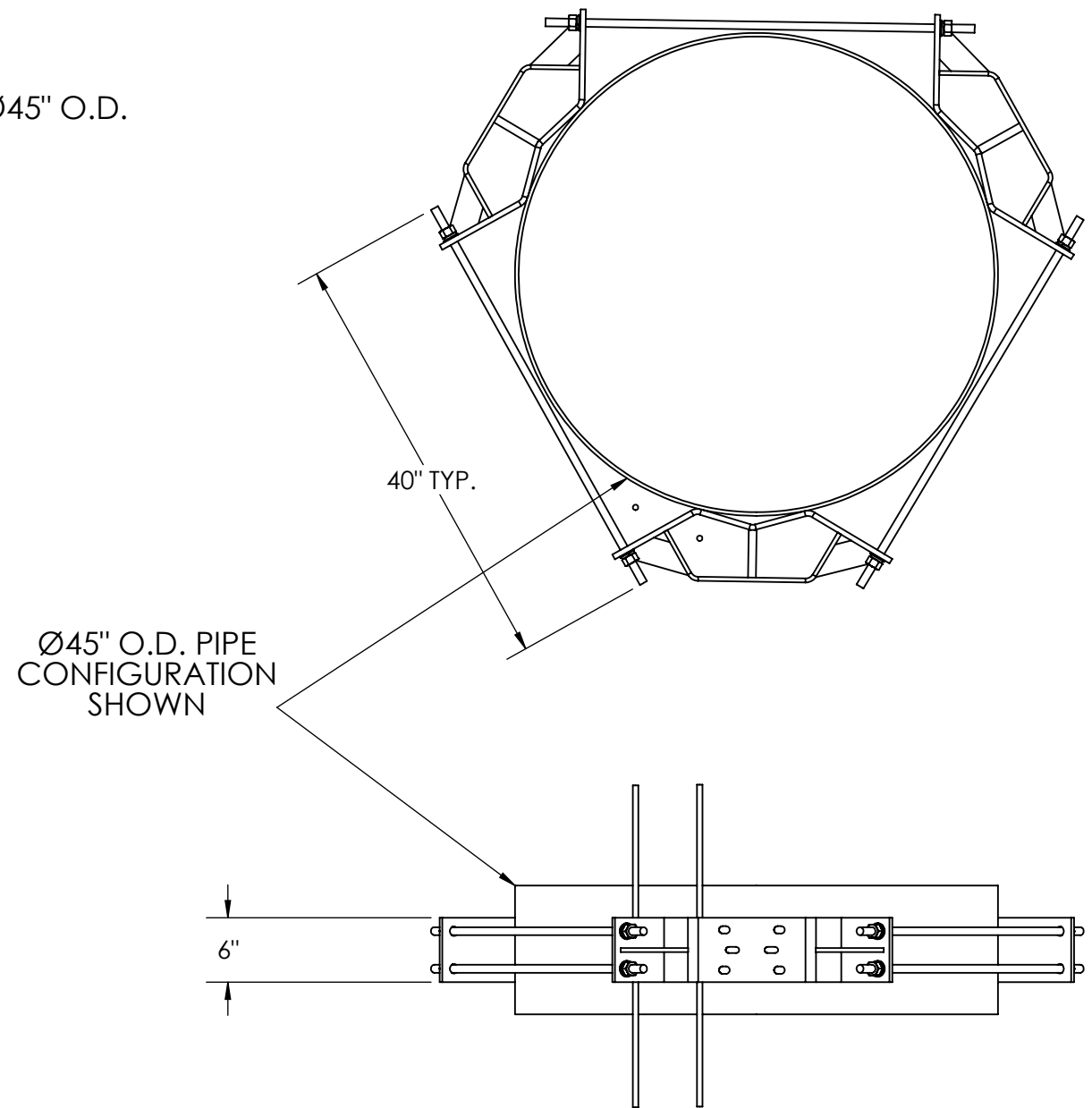
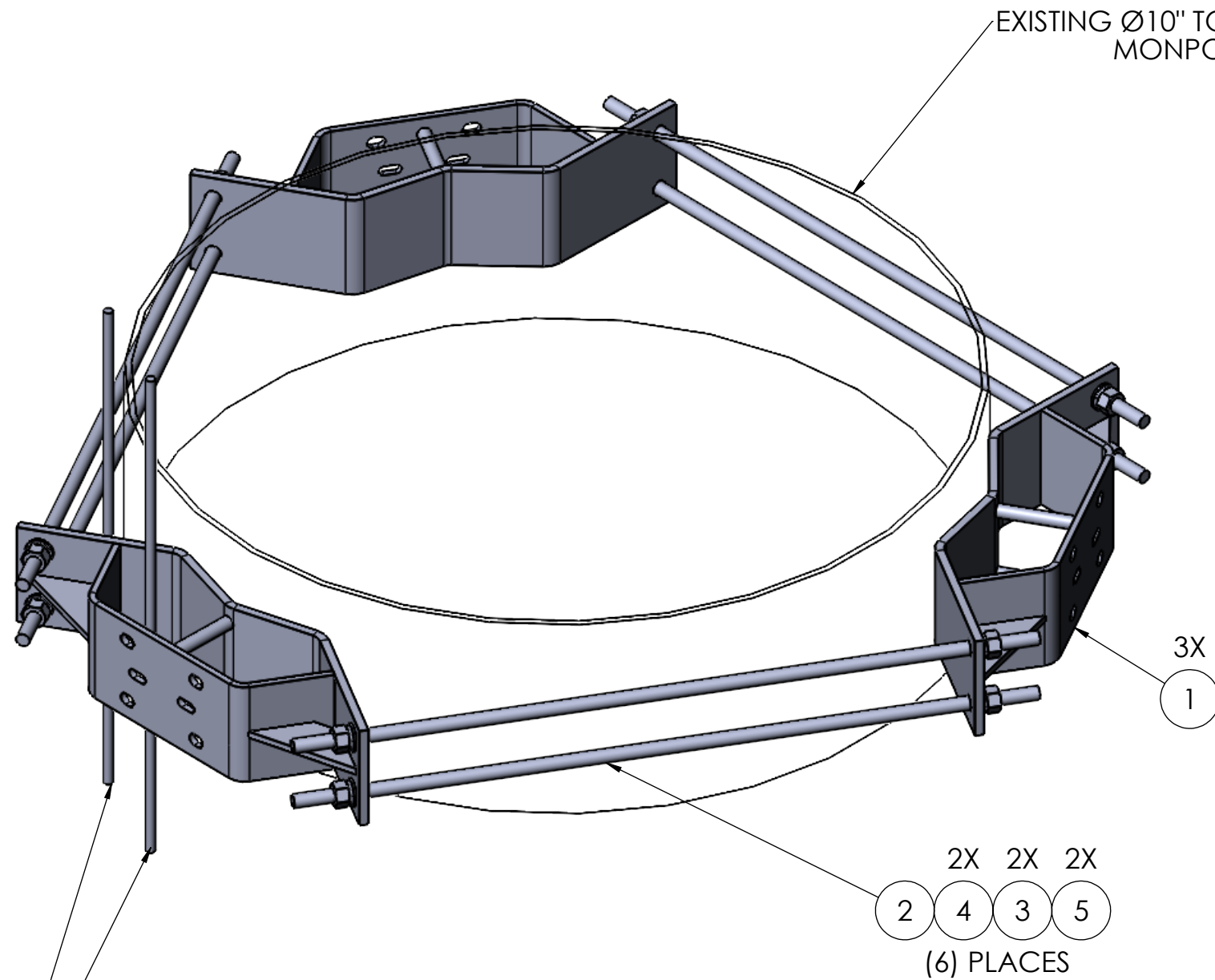


ITEM NO.	PART NUMBER	DESCRIPTION	MATERIAL	FINISH	WEIGHT (PER)	QTY.
1	MP1007.01	10" - 45" 3 SECTOR RING MOUNT (WELDMENT)	-	H.D.G.	41.16	3
2	GR750.040	3/4" x 40" THREADED ROD	B7	H.D.G.	5.01	6
3	GL06	3/4" LOCK WASHER	-	H.D.G.	0.05	12
4	GN06A	3/4" HEX NUT	A563	H.D.G.	0.18	12
5	GF06A	3/4" WASHER	F436	H.D.G.	0.05	12



OPTIONAL
SAFETY
CABLE
ROUTING
LOCATIONS

UNLESS OTHERWISE SPECIFIED: DIMENSIONS ARE IN INCHES TOLERANCE $\pm 1/16$		DESCRIPTION: 3 SECTOR 6IN, 10" TO 45" RING MOUNT	
MATERIAL -		 PRO TOWER MANUFACTURING L.L.C. 5601 San Francisco St. NE Albuquerque, N.M. 87109 (505) 924-2810	DWG NO: MP1007
FINISH H.D.G.			DRAWN BY: AJK CHECKED BY: E.FILMER SHEET: 1 of 1
SIZE B		DATE: 12/15/2020 DATE: 12/15/2020 SCALE: NTS REV WEIGHT: 156.90	
PROPRIETARY AND CONFIDENTIAL THE INFORMATION CONTAINED IN THIS DRAWING IS THE SOLE PROPERTY OF PRO TOWER MANUFACTURING L.L.C. ANY REPRODUCTION IN PART OR AS A WHOLE WITHOUT THE WRITTEN PERMISSION OF PRO TOWER MANUFACTURING L.L.C. IS PROHIBITED.			