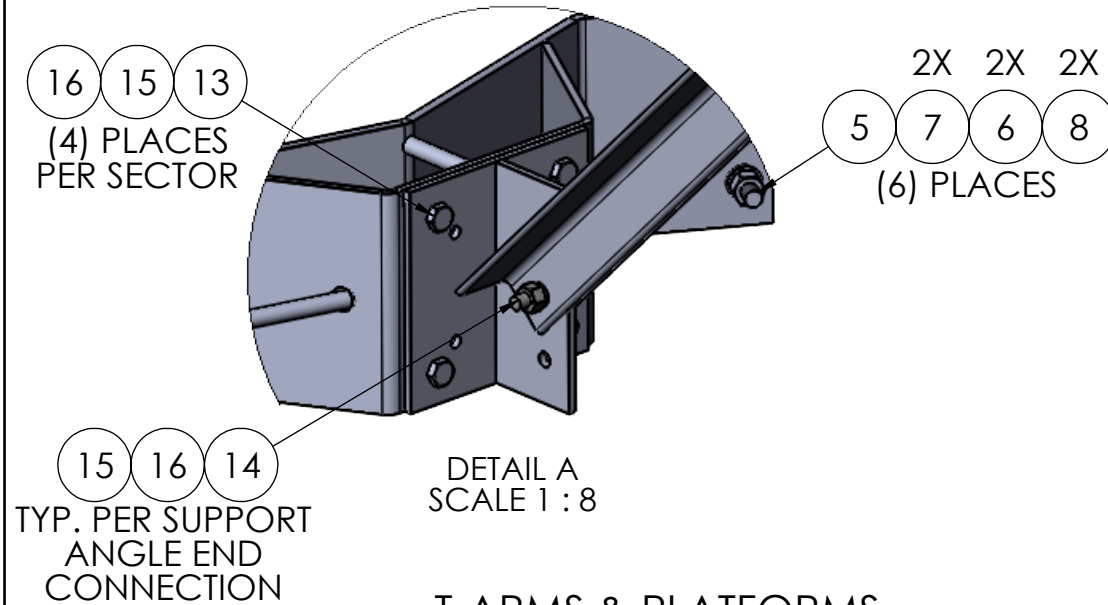
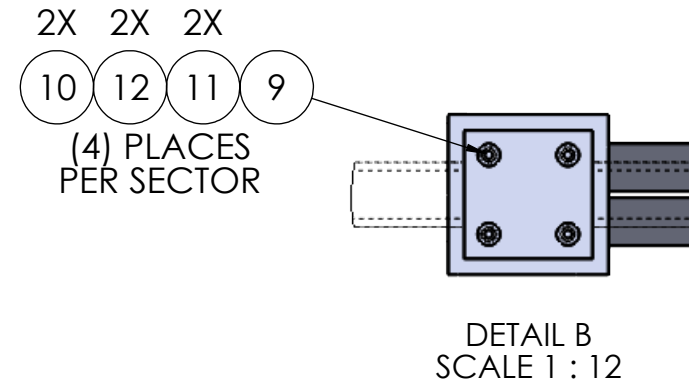


THIS KIT INCLUDES:
-3 SECTOR MONOPOLE REINFORCEMENT KIT
-30" - 60" 3 SECTOR RING MOUNT KIT

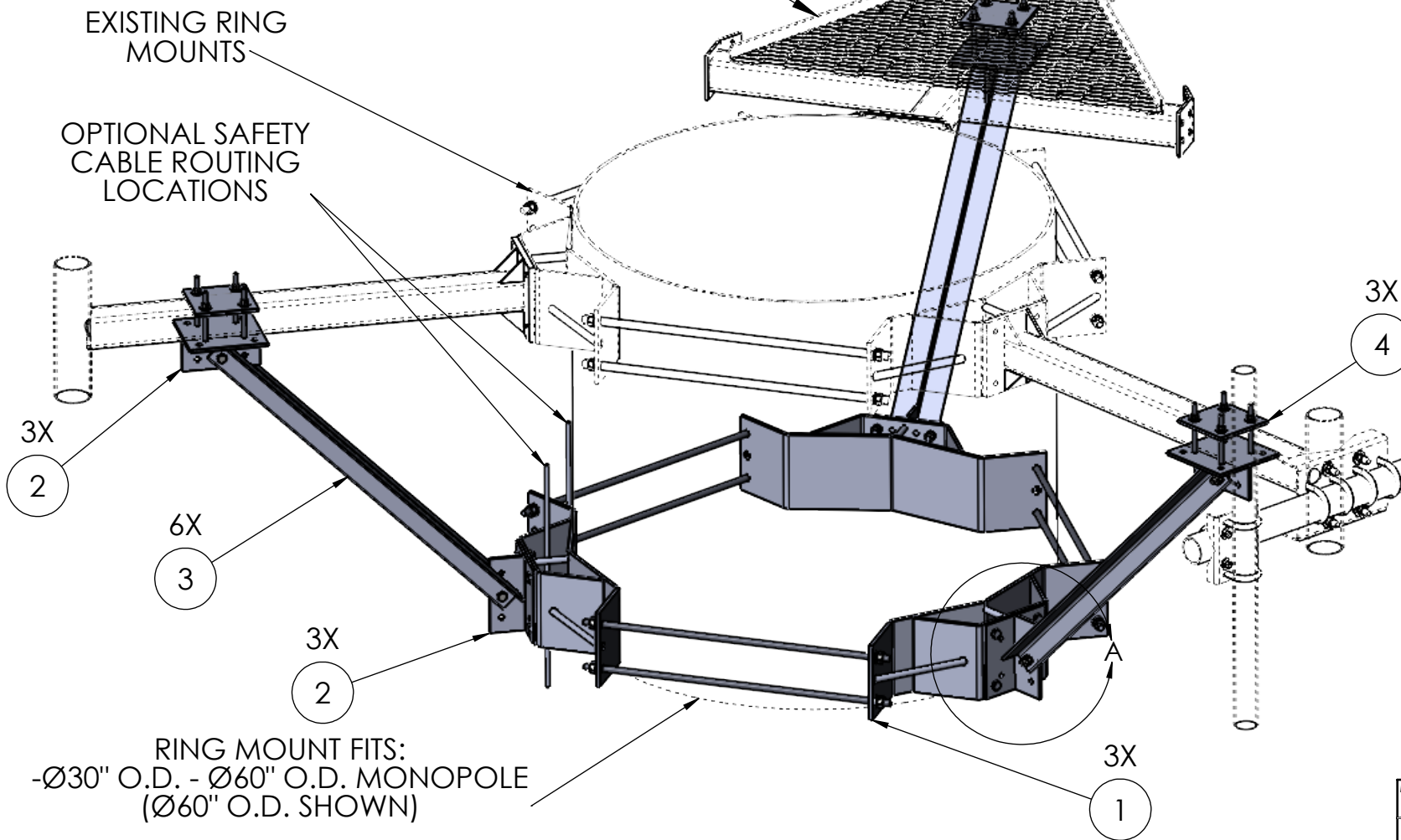
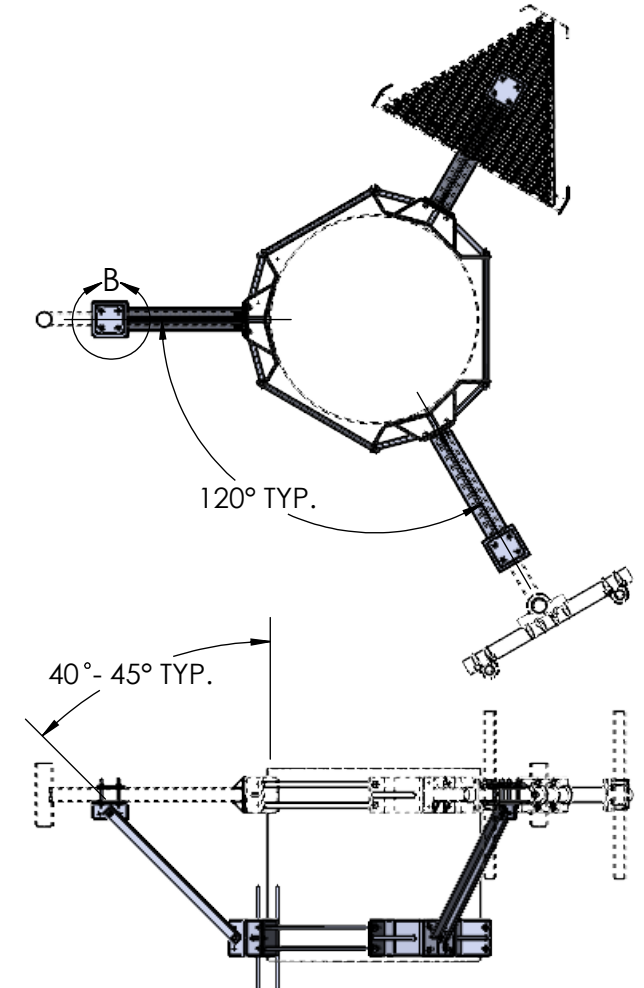


ITEM NO.	PART NUMBER	DESCRIPTION	MATERIAL	FINISH	WEIGHT (PER)	QTY.
1	MP1003.01	30" - 60" 3 SECTOR RING MOUNT (WELDMENT)	-	H.D.G.	95.96	3
2	MP1200.02	BRACKET WELDMENT	-	H.D.G.	15.38	6
3	MP1200.03	SUPPORT ANGLE (L3" x 3" x 1/4")	A36	H.D.G.	22.09	6
4	MP1200.04	BACKER PLATE (3/8" PLATE)	A36	H.D.G.	6.85	3
5	GR750.040	3/4" x 40" THREADED ROD	B7	H.D.G.	5.01	6
6	GL06	3/4" LOCK WASHER	-	H.D.G.	0.05	12
7	GN06A	3/4" HEX NUT	A563	H.D.G.	0.18	12
8	GF06A	3/4" FLAT WASHER	F436	H.D.G.	0.05	12
9	GR500.008	1/2" x 8" THREADED ROD	ATSM A36	H.D.G.	0.46	12
10	GF04	1/2" WASHER	-	H.D.G.	0.04	24
11	GN04	1/2" HEX NUT	GR.2	H.D.G.	0.04	24
12	GL04	1/2" LOCK WASHER	-	H.D.G.	0.02	24
13	GB0520A	5/8" x 2" HEX BOLT	A325	H.D.G.	0.29	12
14	GB0522A	5/8" x 2-1/4" HEX BOLT	A325	H.D.G.	0.31	6
15	GL05	5/8" LOCK WASHER	-	H.D.G.	0.03	18
16	GN05A	5/8" HEX NUT	A563	H.D.G.	0.12	18

T-ARMS & PLATFORMS
SOLD SEPARATELY



PIPE MOUNT KITS
& ANTENNA PIPES
SOLD SEPARATELY



UNLESS OTHERWISE SPECIFIED: DIMENSIONS ARE IN INCHES TOLERANCE ± 1/16		DESCRIPTION: 3 SECTOR REINFORCEMENT KIT 30-60	
PROPRIETARY AND CONFIDENTIAL THE INFORMATION CONTAINED IN THIS DRAWING IS THE SOLE PROPERTY OF PRO TOWER MANUFACTURING L.L.C. ANY REPRODUCTION IN PART OR AS A WHOLE WITHOUT THE WRITTEN PERMISSION OF PRO TOWER MANUFACTURING L.L.C. IS PROHIBITED.		 PRO TOWER MANUFACTURING L.L.C. 5601 San Francisco St. NE Albuquerque, N.M. 87109 (505) 924-2810	DWG NO: MP1202
MATERIAL -	FINISH H.D.G.		DRAWN BY: AJK CHECKED BY: E.FILMER SHEET: 1 of 1
		REV WEIGHT: 582.63	