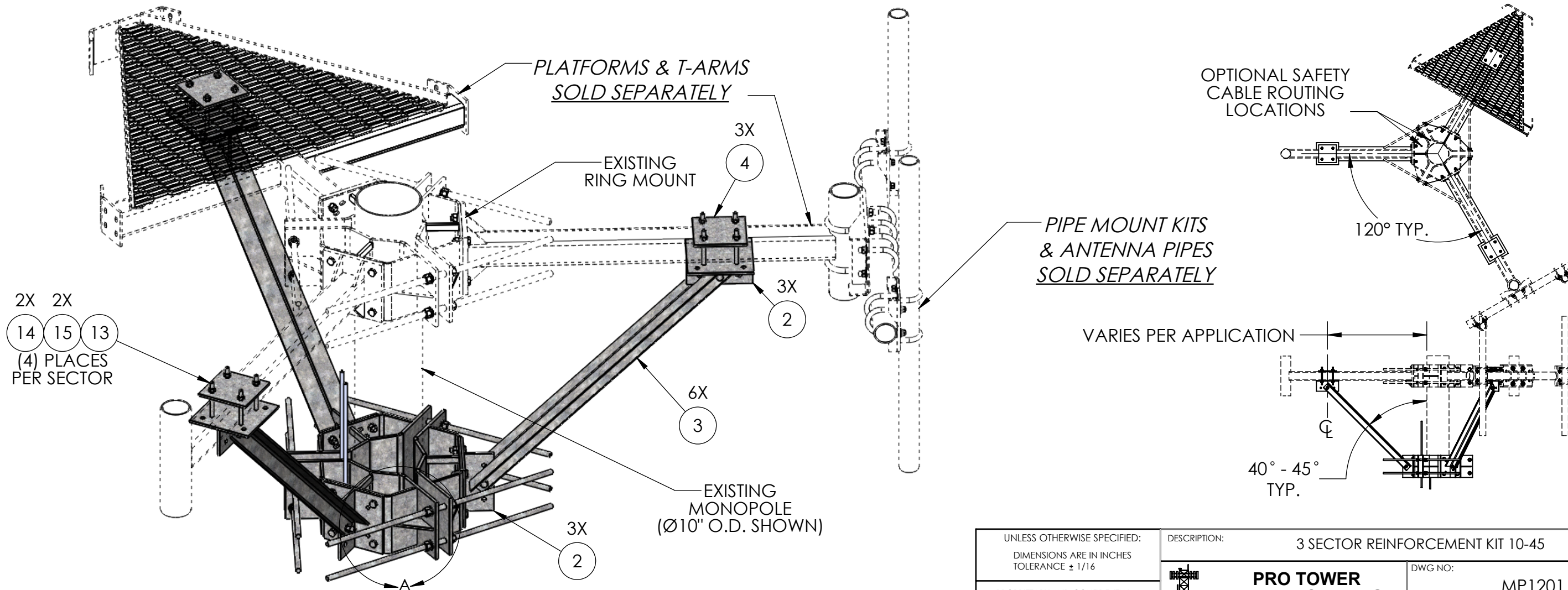
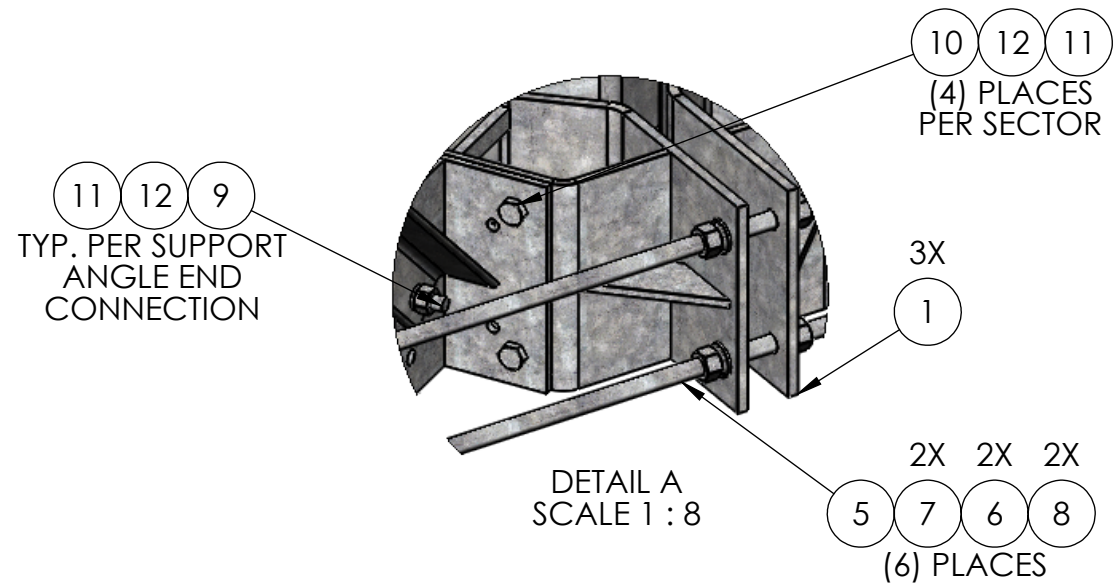


**NOTES:**

- GHOSTED ITEMS ARE NOT INCLUDED IN KIT.
- ALL THREADS MAY REQ. FIELD TRIM TO FIT, VARIES PER APPLICATION.

ITEM NO.	PART NUMBER	DESCRIPTION	FINISH	WEIGHT (PER)	QTY.
1	MP1004.01	3 SECTOR 10IN, 10"- 45" RING MOUNT (WELDMNT)	H.D.G.	66.94	3
2	MP1200.02	BRACKET WELDMNT	H.D.G.	15.38	6
3	MP1200.03	SUPPORT ANGLE (L3" x 3" x 1/4" x 53")	H.D.G.	21.66	6
4	MP1200.04	BACKER PLATE (PL. 3/8" x 8" x 8")	H.D.G.	6.72	3
5	GR750.040	3/4" x 40" THREADED ROD	H.D.G.	5.02	6
6	GL06	3/4" LOCK WASHER	H.D.G.	0.05	12
7	GN06A	3/4" HEX NUT (2H)	H.D.G.	0.18	12
8	GF06A	3/4" FLAT WASHER	H.D.G.	0.05	12
9	GB0522A	5/8" x 2-1/4" HEX BOLT	H.D.G.	0.31	6
10	GB0520A	5/8" x 2" HEX BOLT	H.D.G.	0.28	12
11	GL05	5/8" LOCK WASHER	H.D.G.	0.03	18
12	GN05A	5/8" HEX NUT (2H)	H.D.G.	0.12	18
13	GR500.008	1/2" x 8" THREADED ROD	H.D.G.	0.45	12
14	GL04	1/2" LOCK WASHER	H.D.G.	0.02	24
15	GN04A	1/2" HEX NUT (2H)	H.D.G.	0.06	24



UNLESS OTHERWISE SPECIFIED: DIMENSIONS ARE IN INCHES TOLERANCE ± 1/16	DESCRIPTION:	3 SECTOR REINFORCEMENT KIT 10-45		
	 <b>PRO TOWER MANUFACTURING L.L.C.</b> 5601 San Francisco St. NE Albuquerque, N.M. 87109 (505) 924-2810	DWG NO:	MP1201	
DRAWN BY:		DATE:	REV:	
AJK		6/21/2022		
CHECKED BY:		DATE:	WEIGHT:	
E. FILMER	6/21/2022	491.94		
SHEET:	SCALE:			
1 of 1	NTS			

PROPRIETARY AND CONFIDENTIAL  
THE INFORMATION CONTAINED IN THIS DRAWING IS THE SOLE PROPERTY OF PRO TOWER MANUFACTURING L.L.C. ANY REPRODUCTION IN PART OR AS A WHOLE WITHOUT THE WRITTEN PERMISSION OF PRO TOWER MANUFACTURING L.L.C. IS PROHIBITED.