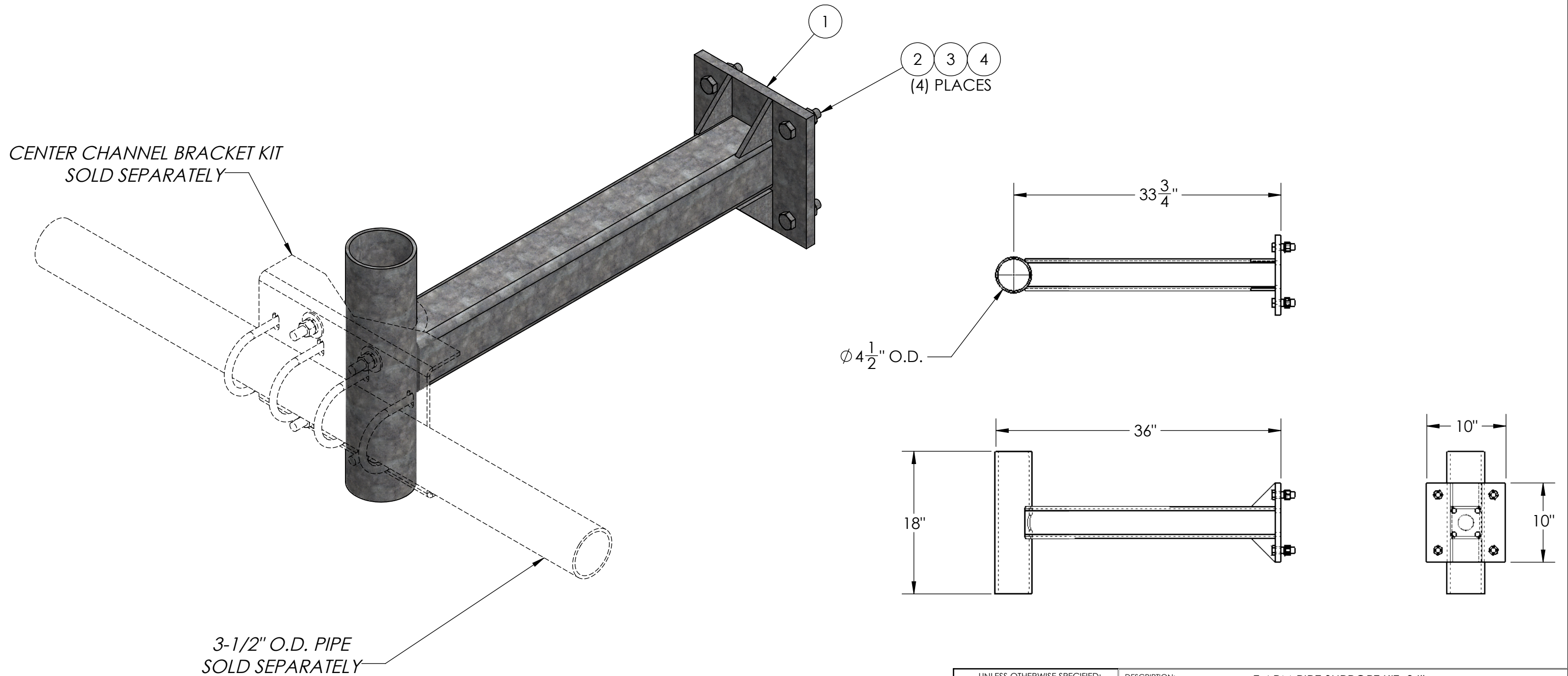


ITEM NO.	PART NUMBER	DESCRIPTION	FINISH	WEIGHT (PER)	QTY.
1	MP1140.01	36" T-ARM PIPE SUPPORT (WELDMENT)	H.D.G.	70.55	1
2	GB0524A	5/8" x 2-1/2" HEX BOLT	H.D.G.	0.33	4
3	GL05	5/8" LOCK WASHER	H.D.G.	0.03	4
4	GN05A	5/8" HEX NUT (2H)	H.D.G.	0.12	4



MATERIAL	FINISH H.D.G.	SIZE B	UNLESS OTHERWISE SPECIFIED: DIMENSIONS ARE IN INCHES TOLERANCE ± 1/32	DESCRIPTION: T-ARM PIPE SUPPORT KIT, 36"		
			PROPRIETARY AND CONFIDENTIAL THE INFORMATION CONTAINED IN THIS DRAWING IS THE SOLE PROPERTY OF PRO TOWER MANUFACTURING L.L.C. ANY REPRODUCTION IN PART OR AS A WHOLE WITHOUT THE WRITTEN PERMISSION OF PRO TOWER MANUFACTURING L.L.C. IS PROHIBITED.	 PRO TOWER MANUFACTURING L.L.C. 5601 San Francisco St. NE Albuquerque, N.M. 87109 (505) 823-1832	DWG NO: MP1140	
			DRAWN BY: AJK		DATE: 6/28/2022	REV
			CHECKED BY: E.FILMER	DATE: 6/28/2022	WEIGHT:	
			SHEET: 1 of 1	SCALE: NTS	72.45	