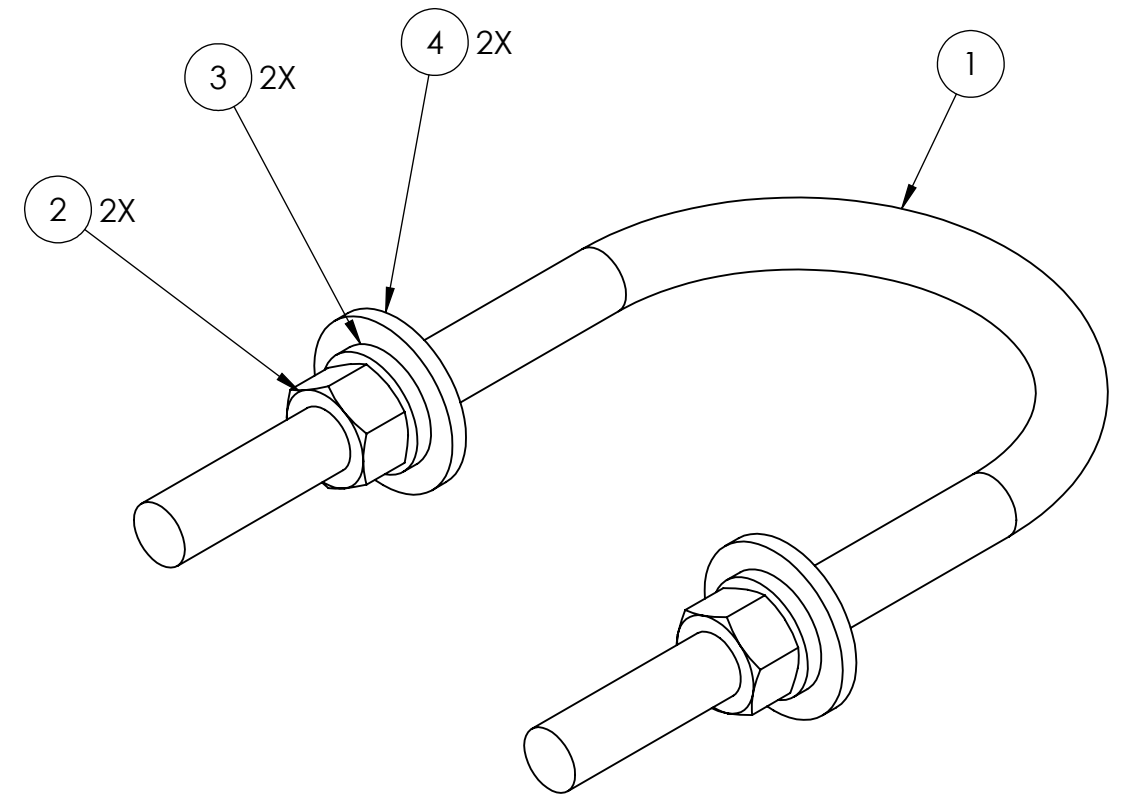
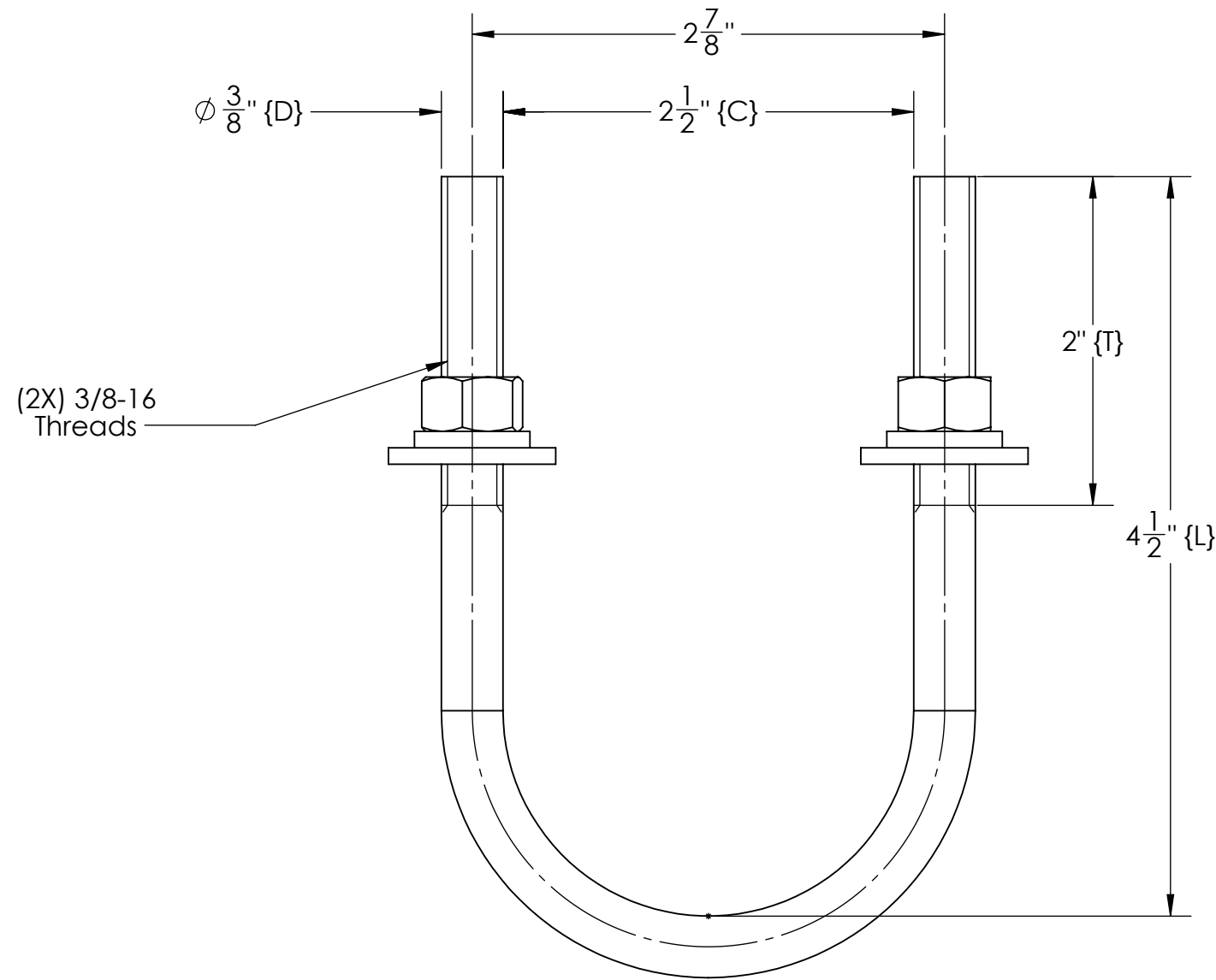


ITEM NO.	PART NUMBER	DESCRIPTION	FINISH	WEIGHT (PER)	QTY.
1	GU32440	3/8" x 4-1/2" x 2-1/2" x 2" U-BOLT	H.D.G.	0.35	1
2	GN03	3/8" HEX NUT	H.D.G.	0.02	2
3	GL03	3/8" LOCK WASHER	H.D.G.	0.01	2
4	GF03	3/8" FLAT WASHER	H.D.G.	0.02	2



UNLESS OTHERWISE SPECIFIED: DIMENSIONS ARE IN INCHES TOLERANCE $\pm 1/16$		DESCRIPTION: 3/8" x 4-1/2" x 2-1/2" x 2" U-BOLT ASSM.		
MATERIAL -		 PRO TOWER MANUFACTURING L.L.C. 5601 San Francisco St. NE Albuquerque, N.M. 87109 (505) 924-2810	DWG NO: GUA32440	
FINISH H.D.G.			DRAWN BY: AJK	DATE: 6/17/2021
SIZE B		CHECKED BY: T.SMYTHE	DATE: 6/17/2021	WEIGHT: 0.45
PROPRIETARY AND CONFIDENTIAL THE INFORMATION CONTAINED IN THIS DRAWING IS THE SOLE PROPERTY OF PRO TOWER MANUFACTURING L.L.C. ANY REPRODUCTION IN PART OR AS A WHOLE WITHOUT THE WRITTEN PERMISSION OF PRO TOWER MANUFACTURING L.L.C. IS PROHIBITED.		SHEET: 1 of 1	SCALE: NTS	