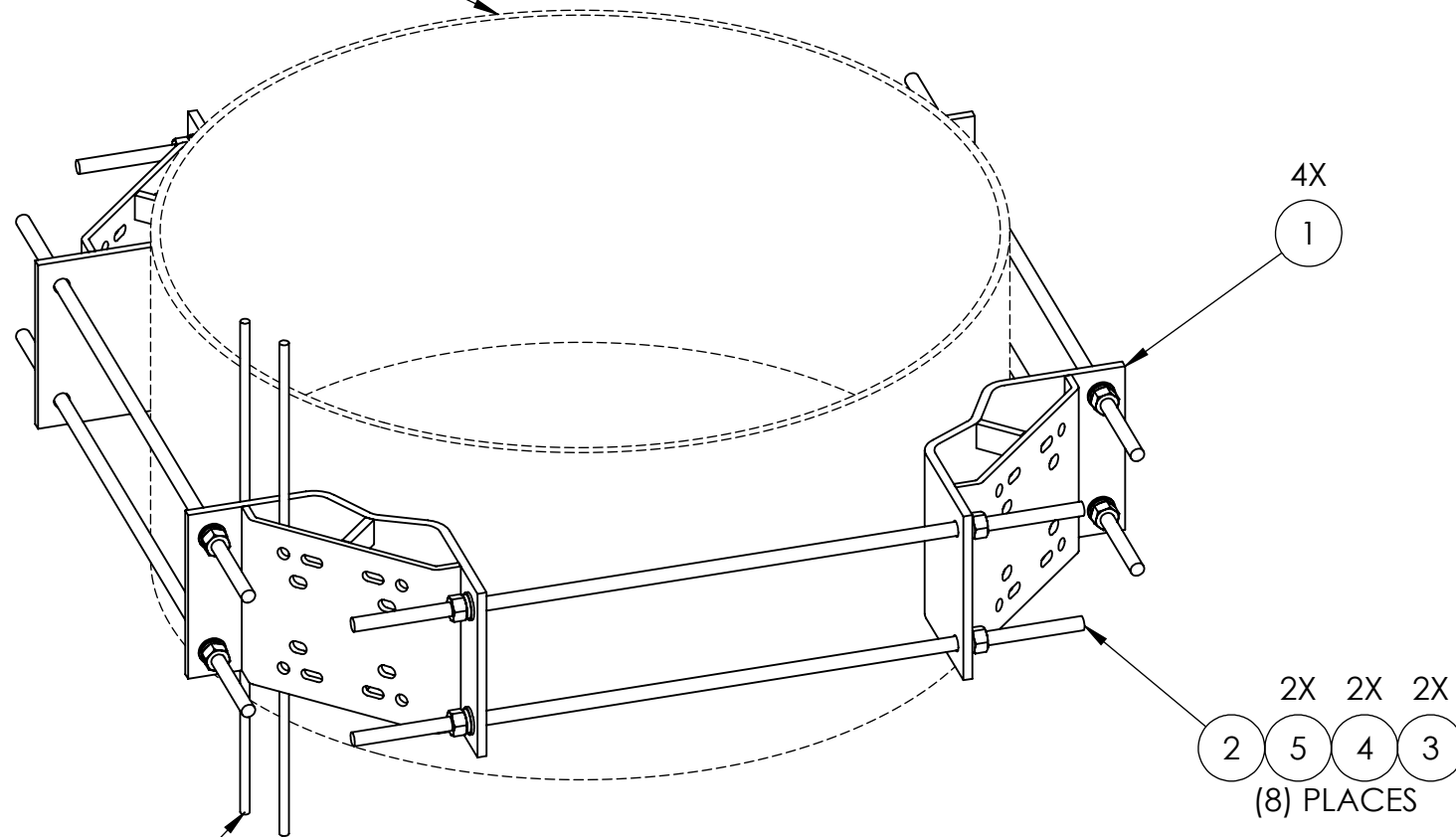


NOTES:

-IF MONOPOLE OUTSIDE DIAMETER IS SMALLER THAN Ø34" O.D. THAN 40" ALL THREADS MUST BE FIELD CUT TO FIT.

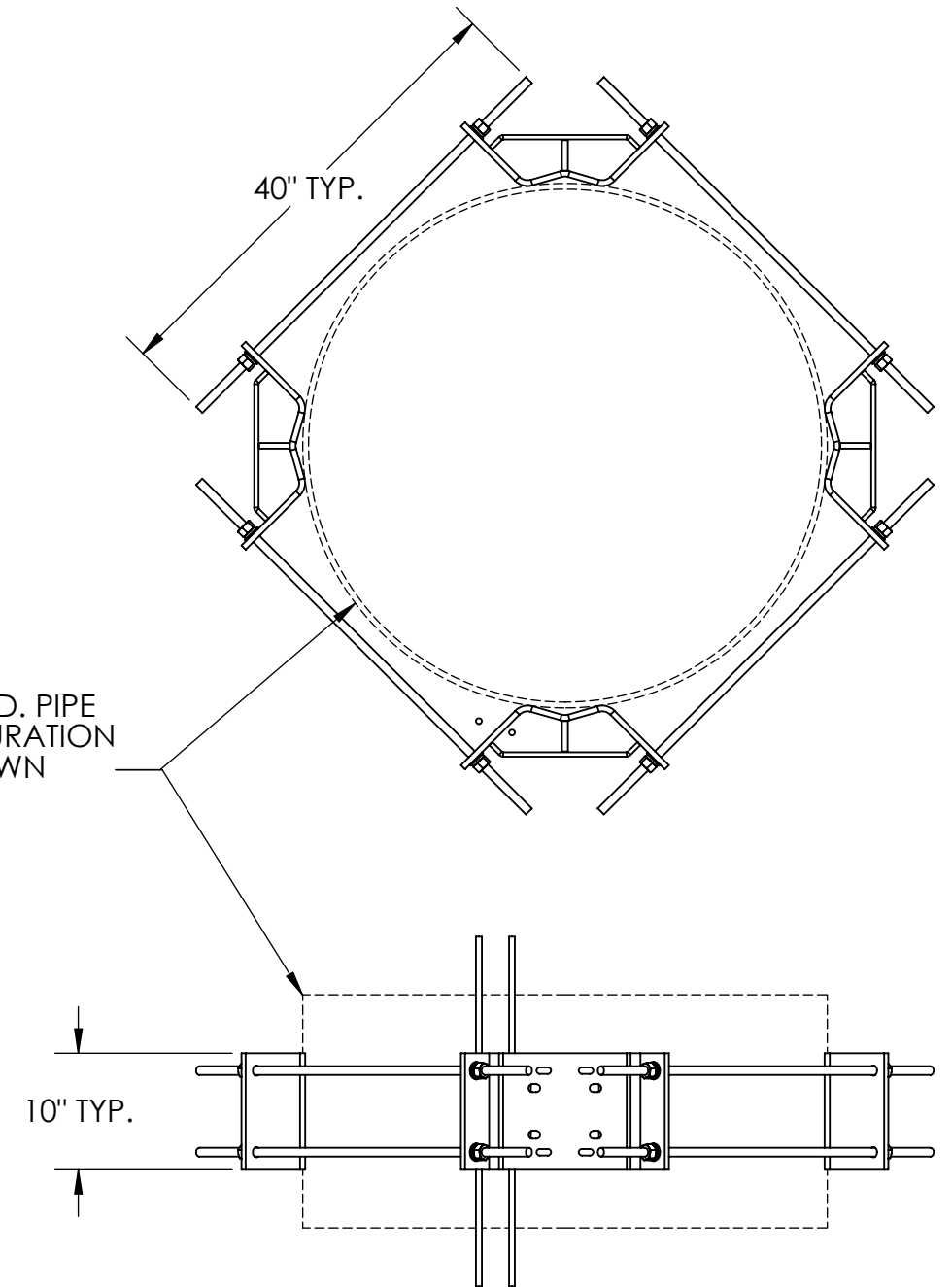
ITEM NO.	PART NUMBER	DESCRIPTION	MATERIAL	FINISH	WEIGHT (PER)	QTY.
1	MP1005.01	10" - 45" 4 SECTOR RING MOUNT (WELDMENT)	-	H.D.G.	45.40	4
2	GR750.040	3/4" x 40" THREADED ROD	B7	H.D.G.	5.02	8
3	GF06A	3/4" FLAT WASHER	F436	H.D.G.	0.05	16
4	GL06	3/4" LOCK WASHER	-	H.D.G.	0.05	16
5	GN06A	3/4" HEX NUT (2H)	A563	H.D.G.	0.18	16

EXISTING Ø10" TO Ø45" O.D. MONOPOLE



OPTIONAL SAFETY CABLE ROUTING LOCATION

Ø45" O.D. PIPE CONFIGURATION SHOWN



UNLESS OTHERWISE SPECIFIED: DIMENSIONS ARE IN INCHES TOLERANCE ± 1/16		DESCRIPTION: 4 SECTOR 10IN, 10" TO 45" RING MOUNT		
MATERIAL -		 PRO TOWER MANUFACTURING L.L.C. 5601 San Francisco St. NE Albuquerque, N.M. 87109 (505) 924-2810	DWG NO: MP1005	
FINISH H.D.G.	PROPRIETARY AND CONFIDENTIAL THE INFORMATION CONTAINED IN THIS DRAWING IS THE SOLE PROPERTY OF PRO TOWER MANUFACTURING L.L.C. ANY REPRODUCTION IN PART OR AS A WHOLE WITHOUT THE WRITTEN PERMISSION OF PRO TOWER MANUFACTURING L.L.C. IS PROHIBITED.		DRAWN BY: A.J.K. CHECKED BY: E. FILMER SHEET: 1 of 1	DATE: 3/24/2022 DATE: 3/24/2022 SCALE: NTS