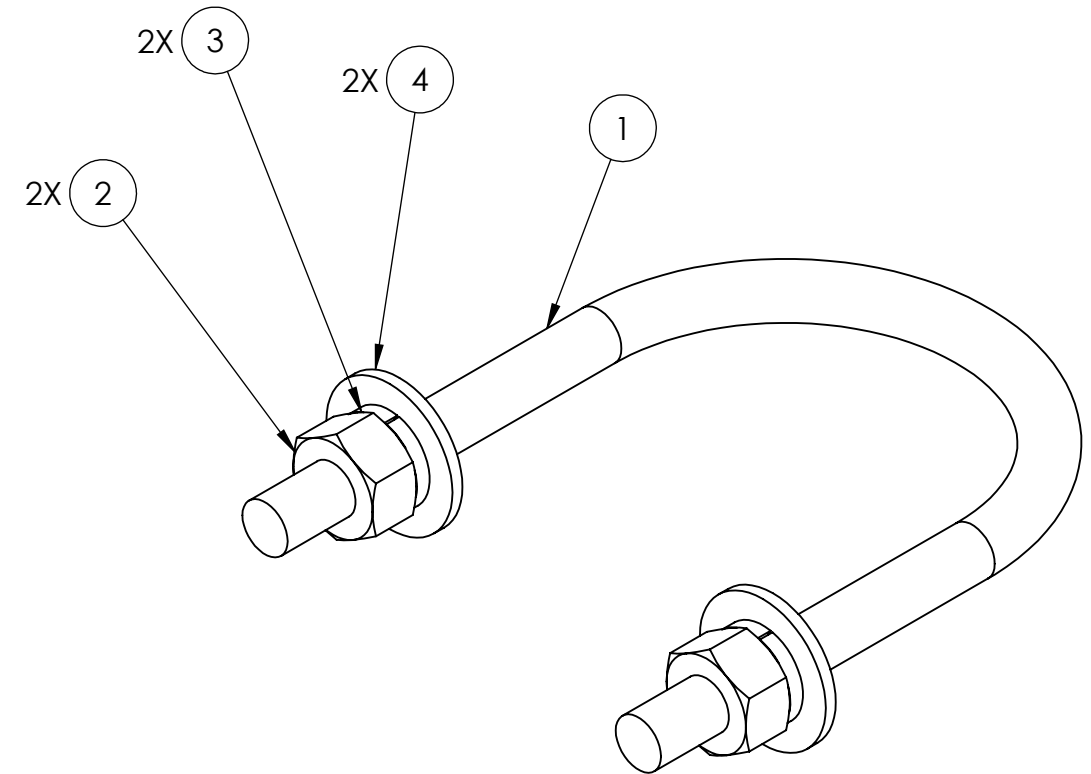
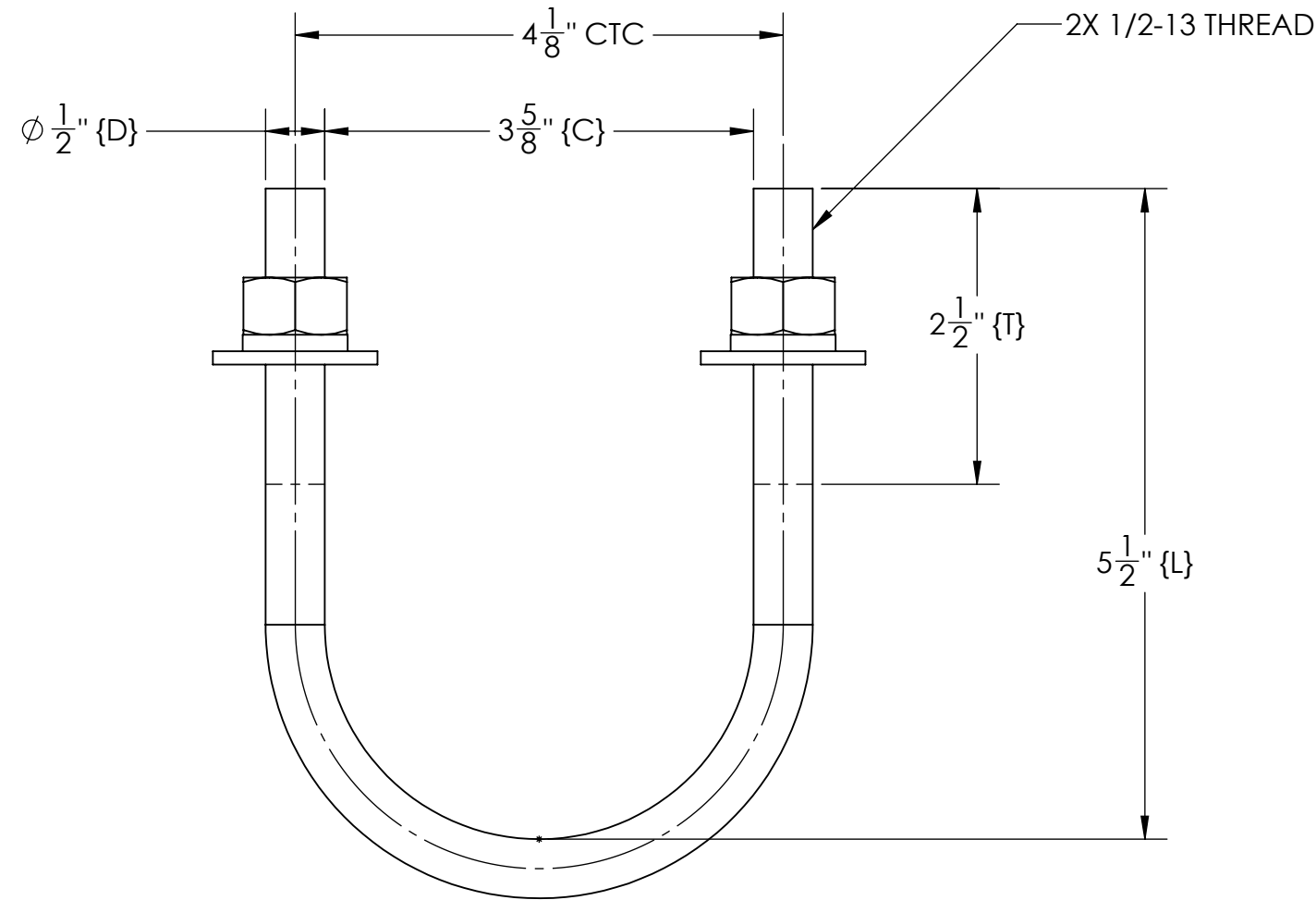



ITEM NO.	PART NUMBER	DESCRIPTION	FINISH	WEIGHT(PER)	QTY.
1	GU43550	1/2" x 5-1/2" x 3-5/8" x 2-1/2" U-BOLT	H.D.G.	0.77	1
2	GN04A	1/2" HEX NUT	H.D.G.	0.06	2
3	GL04	1/2" LOCK WASHER	H.D.G.	0.02	2
4	GF04	1/2" FLAT WASHER	H.D.G.	0.04	2



UNLESS OTHERWISE SPECIFIED: DIMENSIONS ARE IN INCHES TOLERANCE $\pm 1/16$		DESCRIPTION: 1/2" x 5-1/2" x 3-5/8" x 2-1/2" U-BOLT ASSM.		
MATERIAL -		 PRO TOWER MANUFACTURING L.L.C. 5601 San Francisco St. NE Albuquerque, N.M. 87109 (505) 924-2810	DWG NO: GUA43550	
FINISH H.D.G.	SIZE B PROPRIETARY AND CONFIDENTIAL THE INFORMATION CONTAINED IN THIS DRAWING IS THE SOLE PROPERTY OF PRO TOWER MANUFACTURING L.L.C. ANY REPRODUCTION IN PART OR AS A WHOLE WITHOUT THE WRITTEN PERMISSION OF PRO TOWER MANUFACTURING L.L.C. IS PROHIBITED.		DRAWN BY: AJK CHECKED BY: T.SMYTHE SHEET: 1 of 1	DATE: 6/17/2021 DATE: 6/17/2021 SCALE: NTS