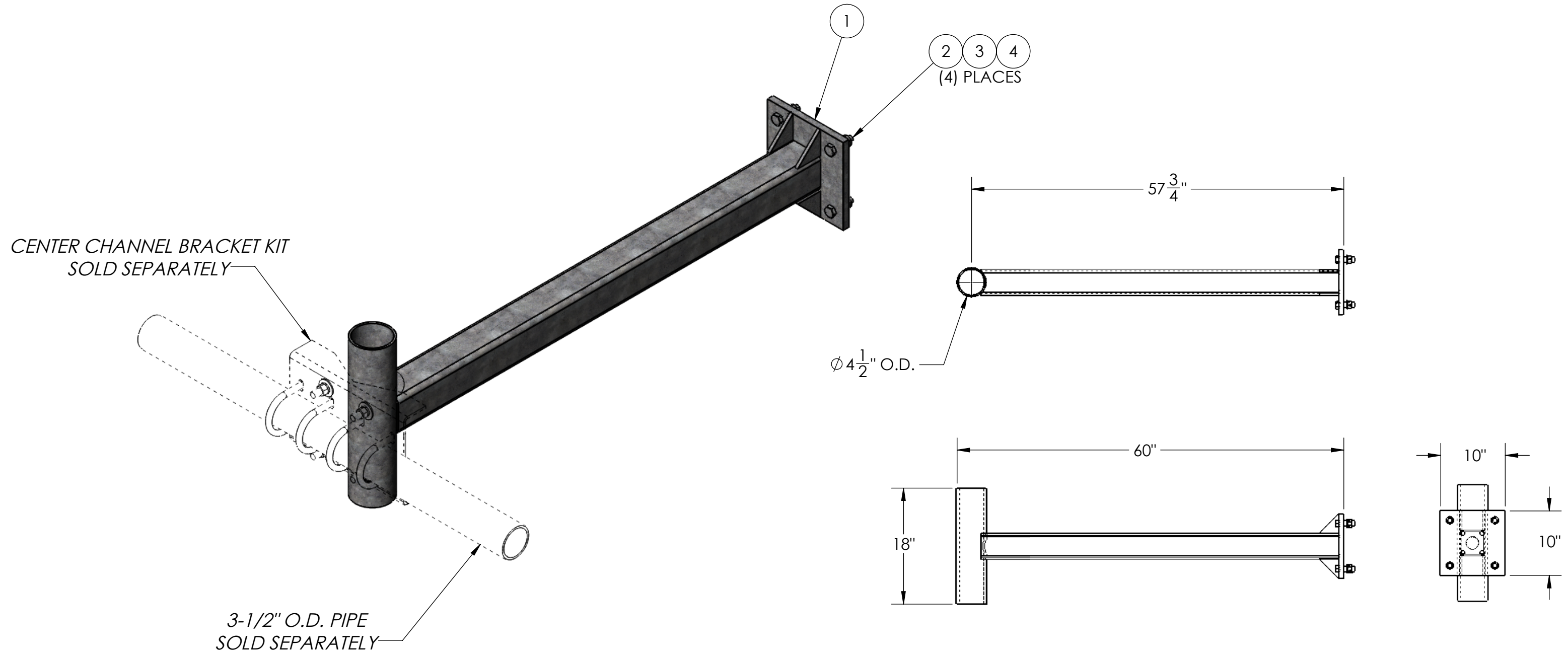


ITEM NO.	PART NUMBER	DESCRIPTION	FINISH	WEIGHT (PER)	QTY.
1	MP1143.01	60" T-ARM PIPE SUPPORT (WELDMENT)	H.D.G.	95.07	1
2	GB0524A	5/8" x 2-1/2" HEX BOLT	H.D.G.	0.33	4
3	GL05	5/8" LOCK WASHER	H.D.G.	0.03	4
4	GN05A	5/8" HEX NUT (2H)	H.D.G.	0.12	4



UNLESS OTHERWISE SPECIFIED: DIMENSIONS ARE IN INCHES TOLERANCE ± 1/16		DESCRIPTION: T-ARM PIPE SUPPORT KIT, 60"	
MATERIAL -		 PRO TOWER MANUFACTURING L.L.C. 5601 San Francisco St. NE Albuquerque, N.M. 87109 (505) 924-2810	DWG NO: MP1143
FINISH H.D.G.	SIZE B		DRAWN BY: A.J.K. CHECKED BY: E.FILMER SHEET: 1 of 1
PROPRIETARY AND CONFIDENTIAL THE INFORMATION CONTAINED IN THIS DRAWING IS THE SOLE PROPERTY OF PRO TOWER MANUFACTURING L.L.C. ANY REPRODUCTION IN PART OR AS A WHOLE WITHOUT THE WRITTEN PERMISSION OF PRO TOWER MANUFACTURING L.L.C. IS PROHIBITED.		REV WEIGHT: 96.97	