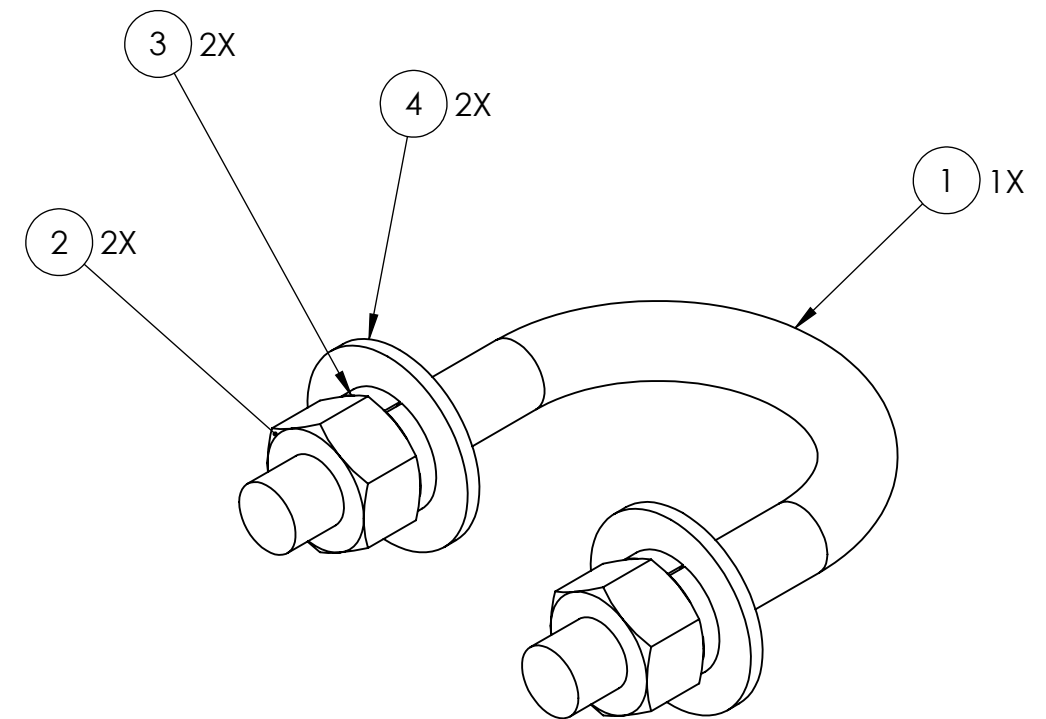
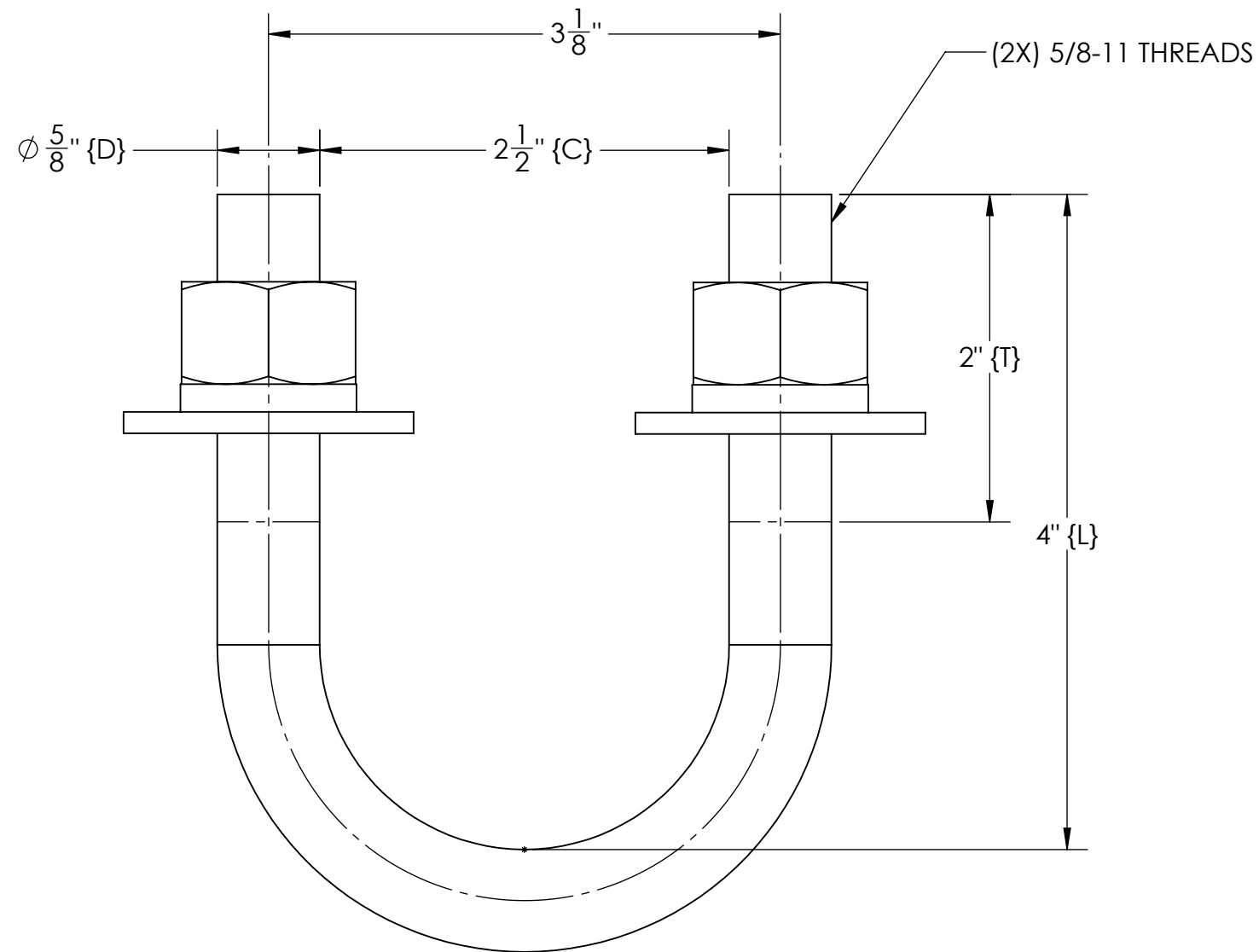


ITEM NO.	PART NUMBER	DESCRIPTION	FINISH	WEIGHT (PER)	QTY.
1	GU54440	5/8" x 4" x 2-1/2" x 2" U-BOLT	H.D.G.	0.91	1
2	GN05A	5/8" HEX NUT	H.D.G.	0.12	2
3	GL05	5/8" LOCK WASHER	H.D.G.	0.03	2
4	GF05	5/8" FLAT WASHER	H.D.G.	0.08	2



UNLESS OTHERWISE SPECIFIED: DIMENSIONS ARE IN INCHES TOLERANCE $\pm 1/16$		DESCRIPTION: 5/8" x 4" x 2-1/2" x 2" U-BOLT ASSM.		
MATERIAL -		 PRO TOWER MANUFACTURING L.L.C. 5601 San Francisco St. NE Albuquerque, N.M. 87109 (505) 924-2810	DWG NO: GUA54440	
FINISH H.D.G.	PROPRIETARY AND CONFIDENTIAL THE INFORMATION CONTAINED IN THIS DRAWING IS THE SOLE PROPERTY OF PRO TOWER MANUFACTURING L.L.C. ANY REPRODUCTION IN PART OR AS A WHOLE WITHOUT THE WRITTEN PERMISSION OF PRO TOWER MANUFACTURING L.L.C. IS PROHIBITED.		DRAWN BY: A.J.K. CHECKED BY: T.SMYTHE SHEET: 1 of 1	DATE: 6/17/2021 DATE: 6/17/2021 SCALE: NTS