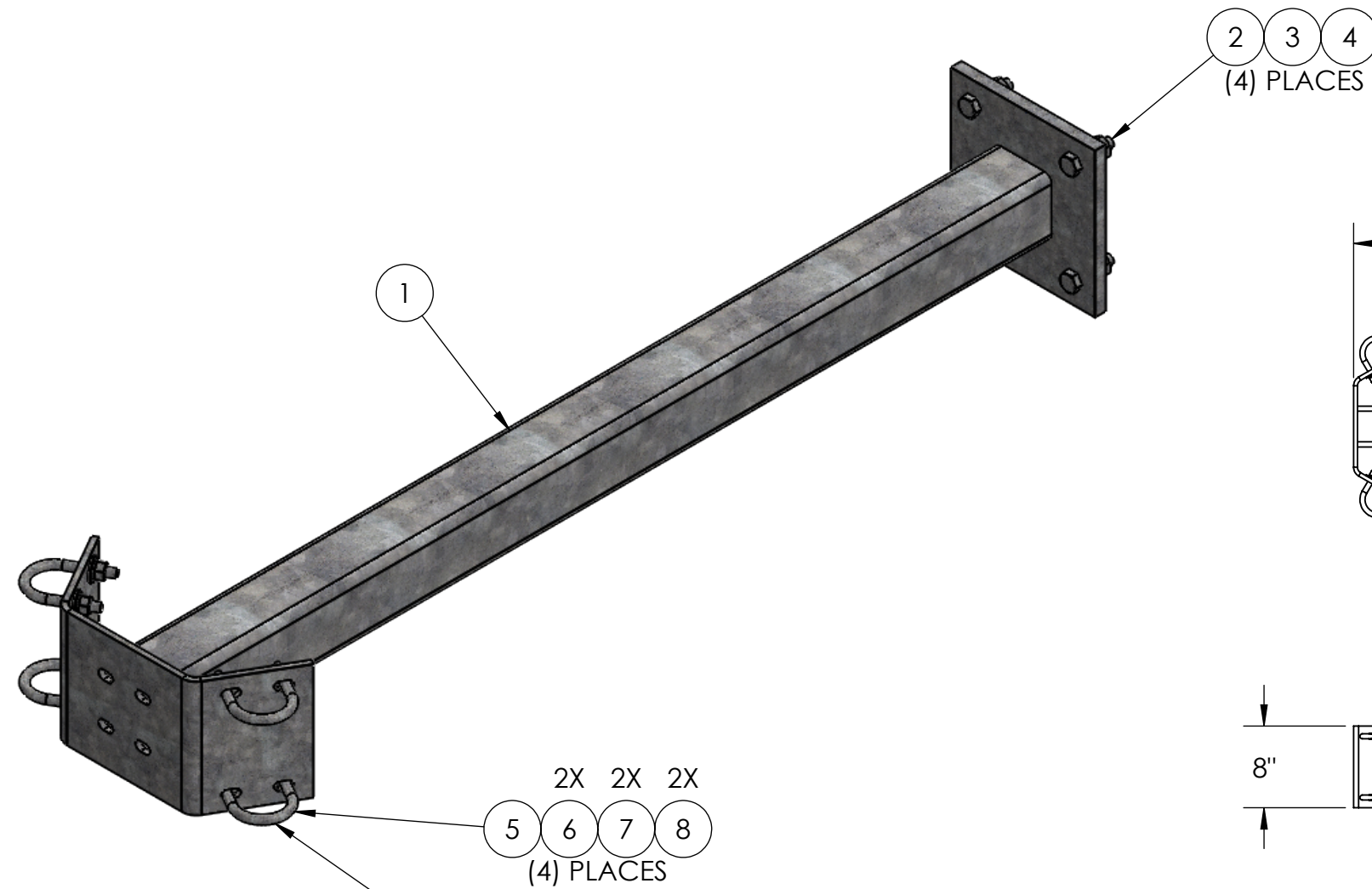
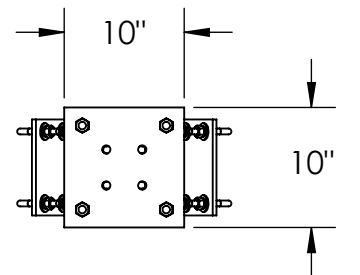
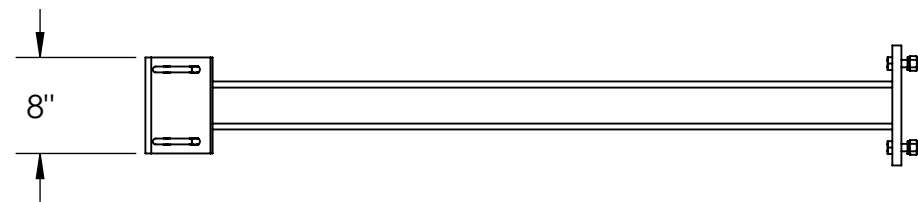
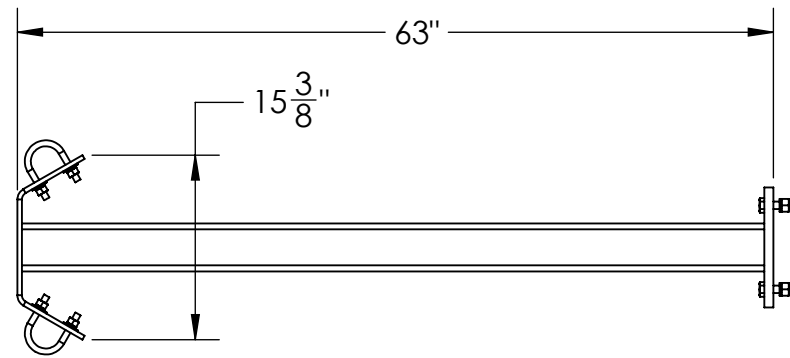



ITEM NO.	PART NUMBER	DESCRIPTION	FINISH	WEIGHT (PER)	QTY.
1	MP1150.01	TWO PIPE SUPPORT ARM 63"	H.D.G.	101.11	1
2	GB0524A	5/8" x 2-1/2" HEX BOLT	H.D.G.	0.33	4
3	GL05	5/8" LOCK WASHER	H.D.G.	0.03	4
4	GN05A	5/8" HEX NUT (2H)	H.D.G.	0.12	4
5	GU42440	1/2" x 4" x 2-1/2" x 2" U-BOLT	H.D.G.	0.57	4
6	GF04	1/2" FLAT WASHER	H.D.G.	0.04	8
7	GL04	1/2" LOCK WASHER	H.D.G.	0.02	8
8	GN04A	1/2" HEX NUT (2H)	H.D.G.	0.06	8



FITS:
-2-3/8" O.D. ANTENNA PIPE (TYP.)
(SOLD SEAPRATELY)



UNLESS OTHERWISE SPECIFIED: DIMENSIONS ARE IN INCHES TOLERANCE ± 1/16		DESCRIPTION: TWO PIPE SUPPORT ARM 63"	
MATERIAL -		 PRO TOWER MANUFACTURING L.L.C. 5601 San Francisco St. NE Albuquerque, N.M. 87109 (505) 924-2810	DWG NO: MP1150
FINISH H.D.G.			DRAWN BY: A.J.K. CHECKED BY: E. FILMER SHEET: 1 of 1
SIZE B	PROPRIETARY AND CONFIDENTIAL THE INFORMATION CONTAINED IN THIS DRAWING IS THE SOLE PROPERTY OF PRO TOWER MANUFACTURING L.L.C. ANY REPRODUCTION IN PART OR AS A WHOLE WITHOUT THE WRITTEN PERMISSION OF PRO TOWER MANUFACTURING L.L.C. IS PROHIBITED.	REV WEIGHT: 106.25	