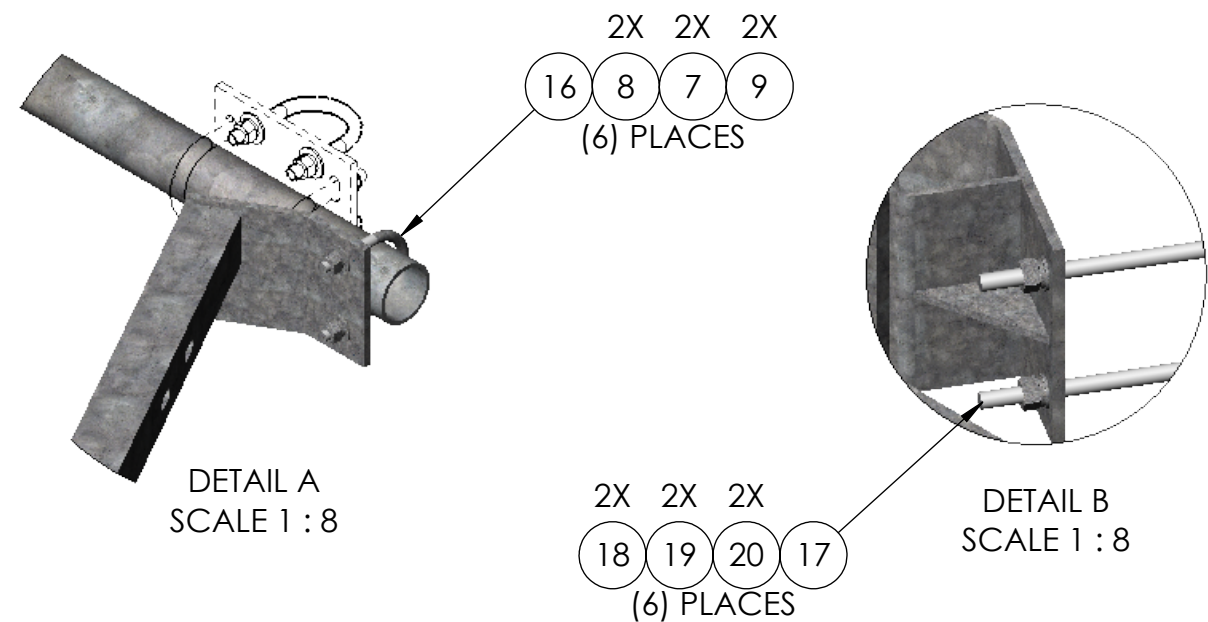
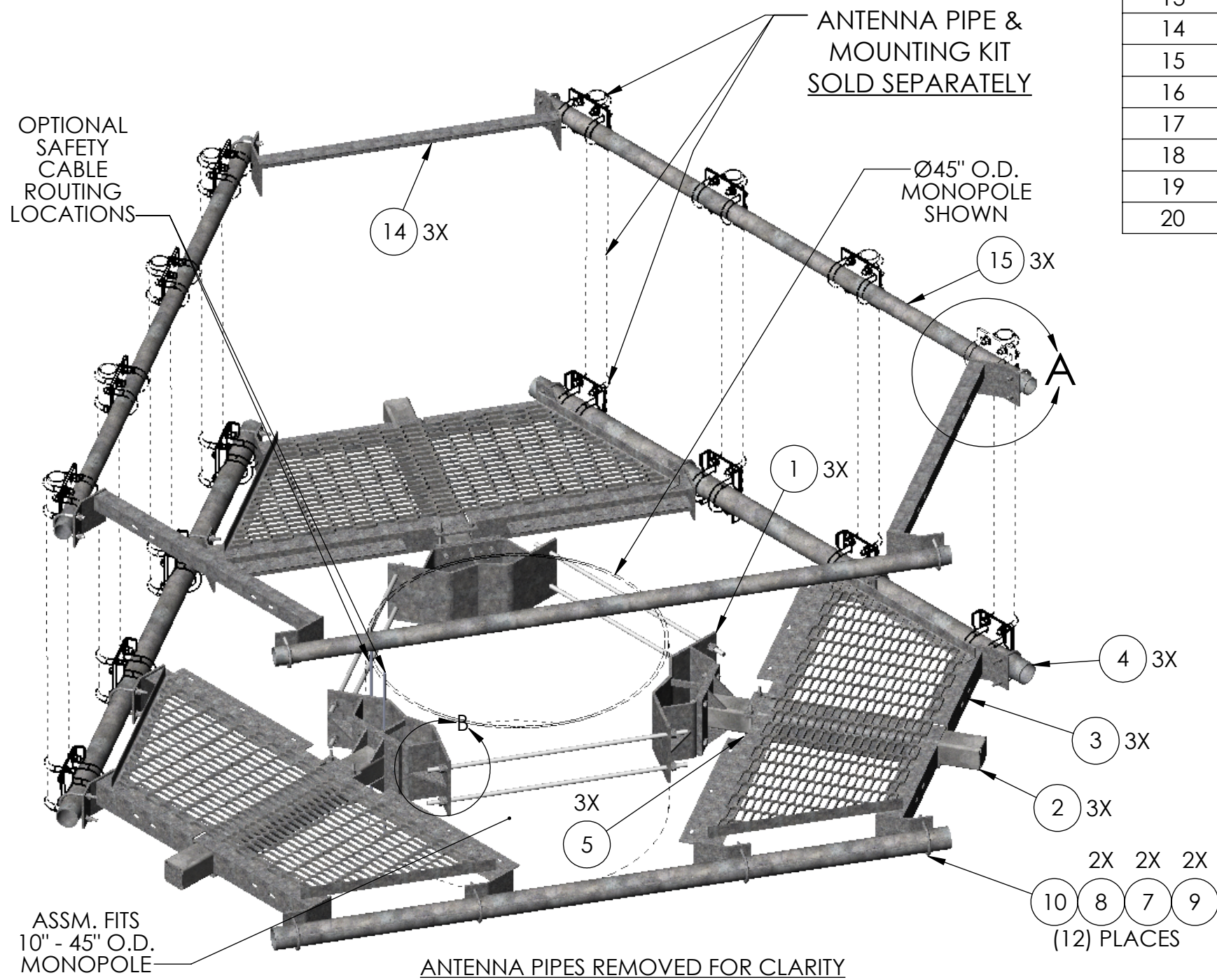


**NOTES:**

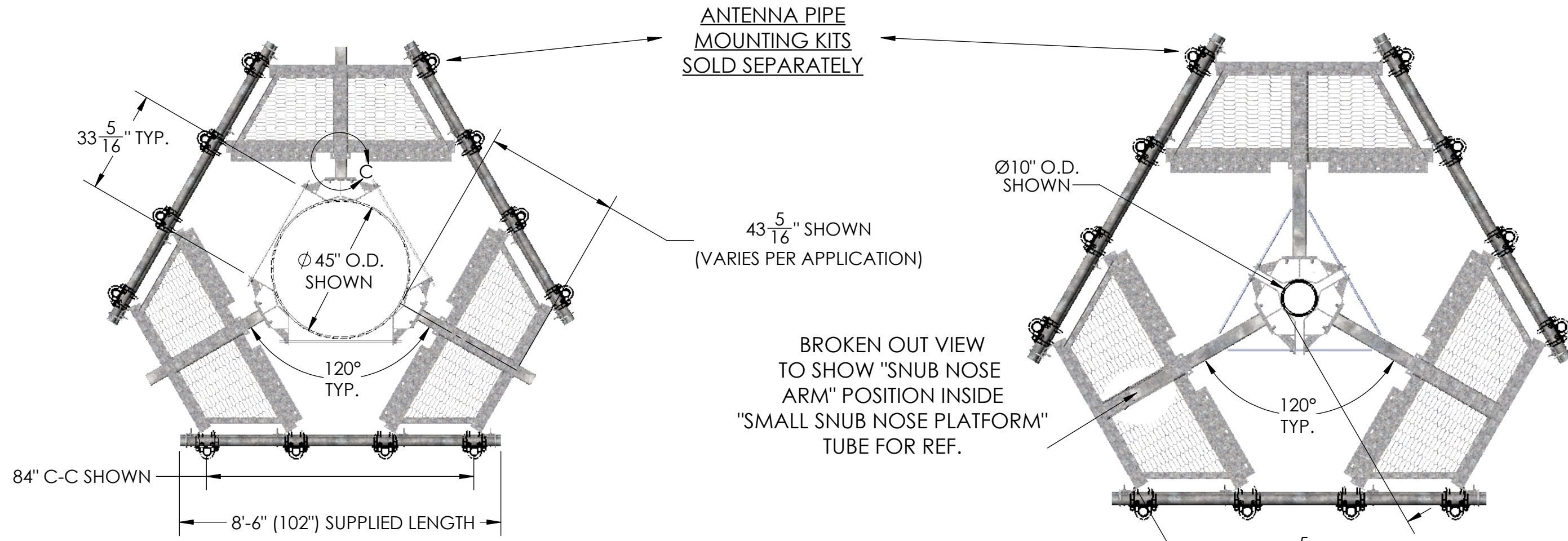
- SEE SHEET 2 FOR MONOPOLE Ø10" O.D. - Ø45" O.D. MONOPOLE CONFIGURATIONS & ASSM. DETAILS.
- SEE NEXT SHEET FOR REMAINING HARDWARE CALL-OUTS.
- PLATFORM ACCEPTS A MAXIMUM OF 12 ANTENNA PIPES (4 PER SECTOR AS SHOWN)

ITEM NO.	PART NUMBER	DESCRIPTION	FINISH	WEIGHT (PER)	QTY.
1	MP1004.01	3 SECTOR 10IN, 10"- 45" RING MOUNT (WELDMENT)	H.D.G.	65.76	3
2	MP2200.02	SNUB NOSE ARM WELDMENT	H.D.G.	65.91	3
3	MP2200.01	SMALL SNUB NOSE PLATFORM WELDMENT	H.D.G.	211.57	3
4	GP3500.102	PLAIN END GALV PIPE, 3-1/2" O.D. x 102" (8'-6")	H.D.G.	64.63	3
5	MP2200.03	CLAMP PLATE (PL. 3/8" x 2" x 6-1/2")	H.D.G.	1.33	3
6	GR500.008	1/2" x 8" THREADED ROD	H.D.G.	0.45	6
7	GL04	1/2" LOCK WASHER	H.D.G.	0.02	48
8	GN04A	1/2" HEX NUT (2H)	H.D.G.	0.06	48
9	GF04	1/2" FLAT WASHER	H.D.G.	0.04	36
10	GU43550	1/2" x 5-1/2" x 3-5/8" x 2-1/2" U-BOLT	H.D.G.	0.77	12
11	GL05	5/8" LOCK WASHER	H.D.G.	0.03	12
12	GN05A	5/8" HEX NUT (2H)	H.D.G.	0.12	12
13	GB0522A	5/8" x 2-1/4" HEX BOLT	H.D.G.	0.31	12
14	MP2202.01	8'-6" SNUB NOSE PLATFORM HANDRAIL WELDMENT	H.D.G.	26.17	3
15	GP2875.102	PLAIN END GALV. PIPE, 2-7/8" O.D. x 102" (8'-6")	H.D.G.	49.42	3
16	GU43045	1/2" x 4-1/2" x 3" x 2" U-BOLT	H.D.G.	0.64	6
17	GR750.040	3/4" x 40" THREADED ROD	H.D.G.	5.02	6
18	GF06A	3/4" FLAT WASHER	H.D.G.	0.05	12
19	GL06	3/4" LOCK WASHER	H.D.G.	0.05	12
20	GN06A	3/4" HEX NUT (2H)	H.D.G.	0.18	12



UNLESS OTHERWISE SPECIFIED: DIMENSIONS ARE IN INCHES TOLERANCE ± 1/16	DESCRIPTION: 8'-6" SNUB NOSE PLATFORM KIT W/ UPPER SUPPORT RAIL, FITS 10" - 45" O.D. POLE (PIPE MOUNTS NOT INCLUDED)			
	DWG NO: MP2204			
PROPRIETARY AND CONFIDENTIAL THE INFORMATION CONTAINED IN THIS DRAWING IS THE SOLE PROPERTY OF PRO TOWER MANUFACTURING L.L.C. ANY REPRODUCTION IN PART OR AS A WHOLE WITHOUT THE WRITTEN PERMISSION OF PRO TOWER MANUFACTURING L.L.C. IS PROHIBITED.	 <b>PRO TOWER MANUFACTURING L.L.C.</b> 5601 San Francisco St. NE Albuquerque, N.M. 87109 (505) 924-2810	DRAWN BY: AJK	DATE: 6/28/2022	REV
		CHECKED BY: E. FILMER	DATE: 6/28/2022	WEIGHT: 1,518.89
		SHEET: 1 of 2	SCALE: NTS	





ANTENNA PIPE  
MOUNTING KITS  
SOLD SEPARATELY

43 <sup>5</sup>/<sub>16</sub>" SHOWN  
(VARIES PER APPLICATION)

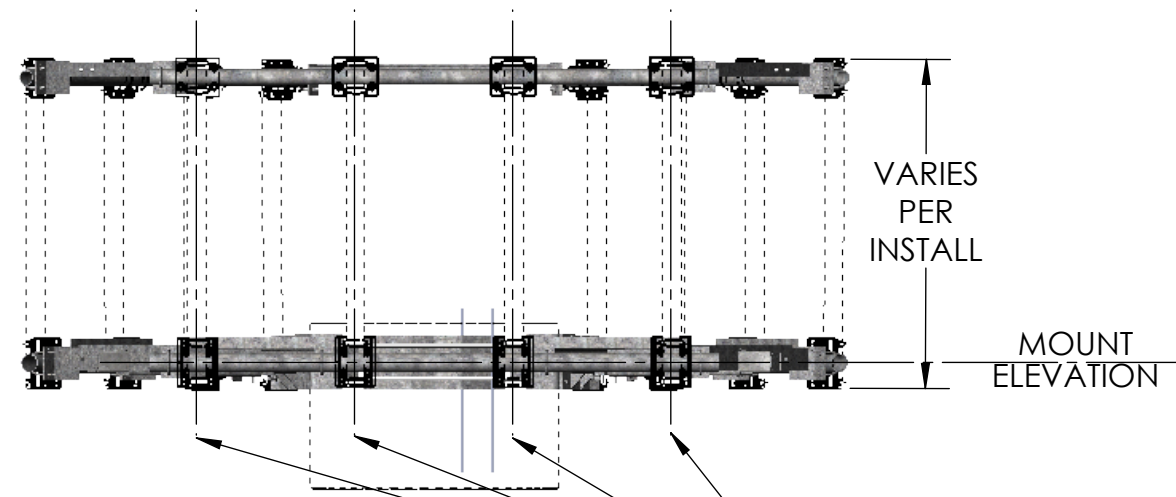
BROKEN OUT VIEW  
TO SHOW "SNUB NOSE  
ARM" POSITION INSIDE  
"SMALL SNUB NOSE PLATFORM"  
TUBE FOR REF.

Ø10" O.D.  
SHOWN

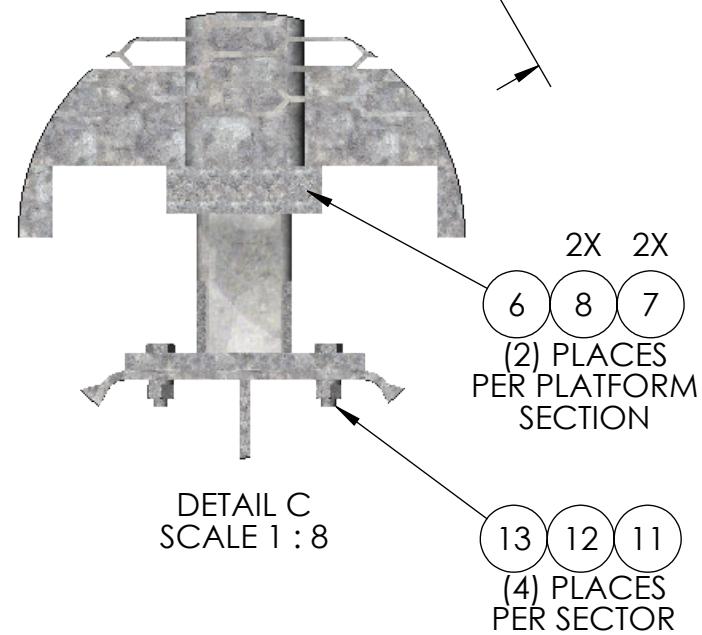
60 <sup>5</sup>/<sub>8</sub>" SHOWN  
(VARIES PER APPLICATION)

84" C-C SHOWN

8'-6" (102") SUPPLIED LENGTH



ANTENNA PIPES TO BE MOUNTED  
WITH EQUAL SPACING BETWEEN  
EACH, PER SECTOR.



DETAIL C  
SCALE 1 : 8

UNLESS OTHERWISE SPECIFIED:  
DIMENSIONS ARE IN INCHES  
TOLERANCE ± 1/16

DESCRIPTION: 8'-6" SNUB NOSE PLATFORM KIT W/ UPPER SUPPORT RAIL, FITS 10" - 45" O.D. POLE (PIPE MOUNTS NOT INCLUDED)

PROPRIETARY AND CONFIDENTIAL  
THE INFORMATION CONTAINED IN THIS  
DRAWING IS THE SOLE PROPERTY OF  
PRO TOWER MANUFACTURING L.L.C. ANY  
REPRODUCTION IN PART OR AS A WHOLE  
WITHOUT THE WRITTEN PERMISSION OF  
PRO TOWER MANUFACTURING L.L.C. IS  
PROHIBITED.

**PRO TOWER  
MANUFACTURING  
L.L.C.**  
5601 San Francisco St. NE  
Albuquerque, N.M. 87109  
(505) 924-2810

DWG NO:		MP2204	
DRAWN BY:	DATE:	6/28/2022	REV
AJK	CHECKED BY:	DATE:	6/28/2022
E. FILMER	SHEET:	2 of 2	SCALE: NTS
WEIGHT:			1,518.89