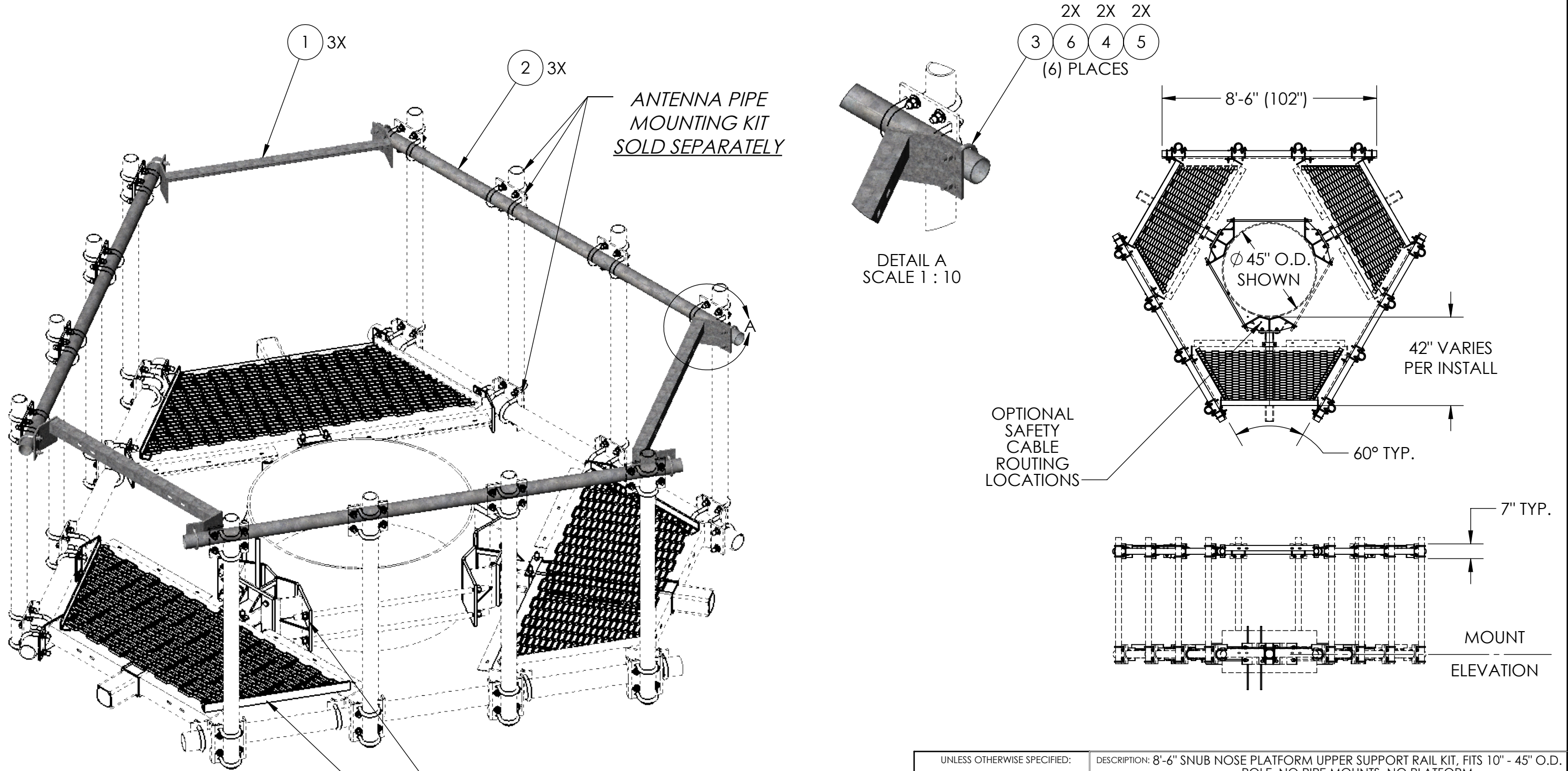


NOTES:
 -UPPER SUPPORT RAIL ACCEPTS A MAXIMUM OF 12 ANTENNA PIPES
 TOTAL AS SHOWN (4 PER SECTOR)


ITEM NO.	PART NUMBER	DESCRIPTION	FINISH	WEIGHT (PER)	QTY.
1	MP2202.01	8'-6" SNUB NOSE PLATFORM HANDRAIL WELDMENT	H.D.G.	26.17	3
2	GP2875.102	2-7/8" O.D. x 102" PLAIN END GALV PIPE	H.D.G.	49.42	3
3	GU43045	1/2" x 4-1/2" x 3" x 2" U-BOLT	H.D.G.	0.64	6
4	GL04	1/2" LOCK WASHER	H.D.G.	0.02	12
5	GN04A	1/2" HEX NUT (2H)	H.D.G.	0.06	12
6	GF04	1/2" FLAT WASHER	H.D.G.	0.04	12



ANTENNA PIPE
 MOUNTING KIT
 SOLD SEPARATELY

DETAIL A
 SCALE 1 : 10

PLATFORM KIT & RING MOUNT KIT
 SOLD SEPARATELY

UNLESS OTHERWISE SPECIFIED: DIMENSIONS ARE IN INCHES TOLERANCE ± 1/16		DESCRIPTION: 8'-6" SNUB NOSE PLATFORM UPPER SUPPORT RAIL KIT, FITS 10" - 45" O.D. POLE, NO PIPE MOUNTS, NO PLATFORM		
MATERIAL: -		 PRO TOWER MANUFACTURING L.L.C. 5601 San Francisco St. NE Albuquerque, N.M. 87109 (505) 924-2810	DWG NO: MP2202	
FINISH: H.D.G.			DRAWN BY: AJK CHECKED BY: E. FILMER SHEET: 1 of 1	DATE: 7/5/2022 DATE: 7/5/2022 SCALE: NTS