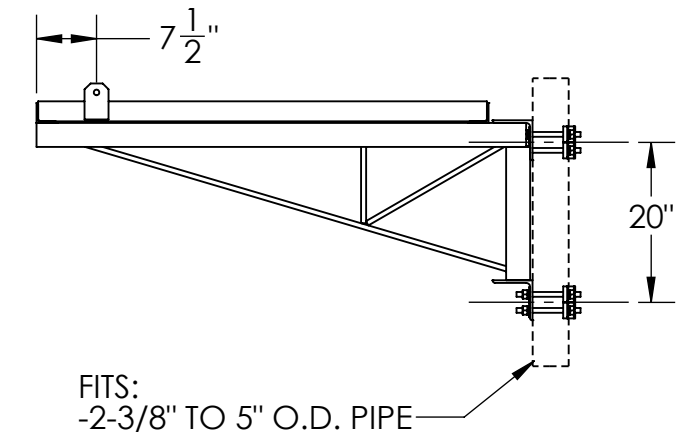
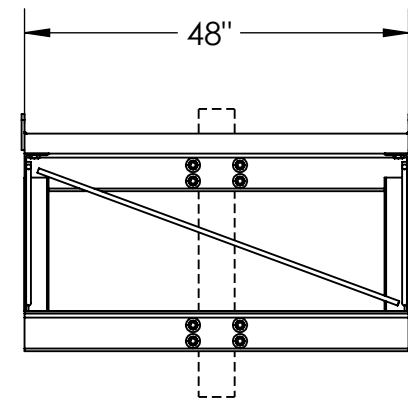
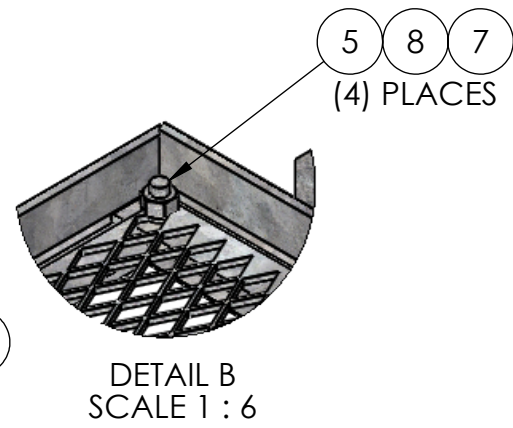
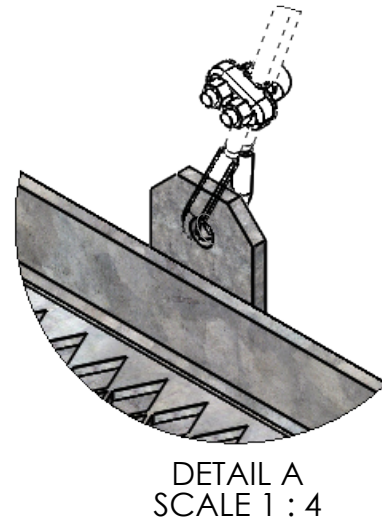
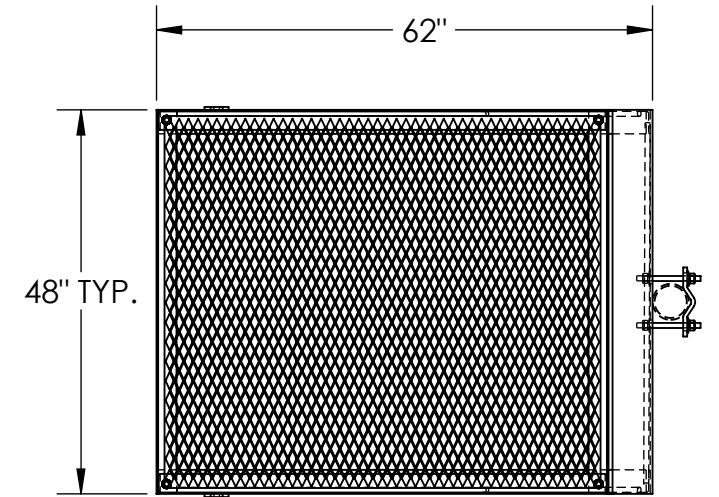
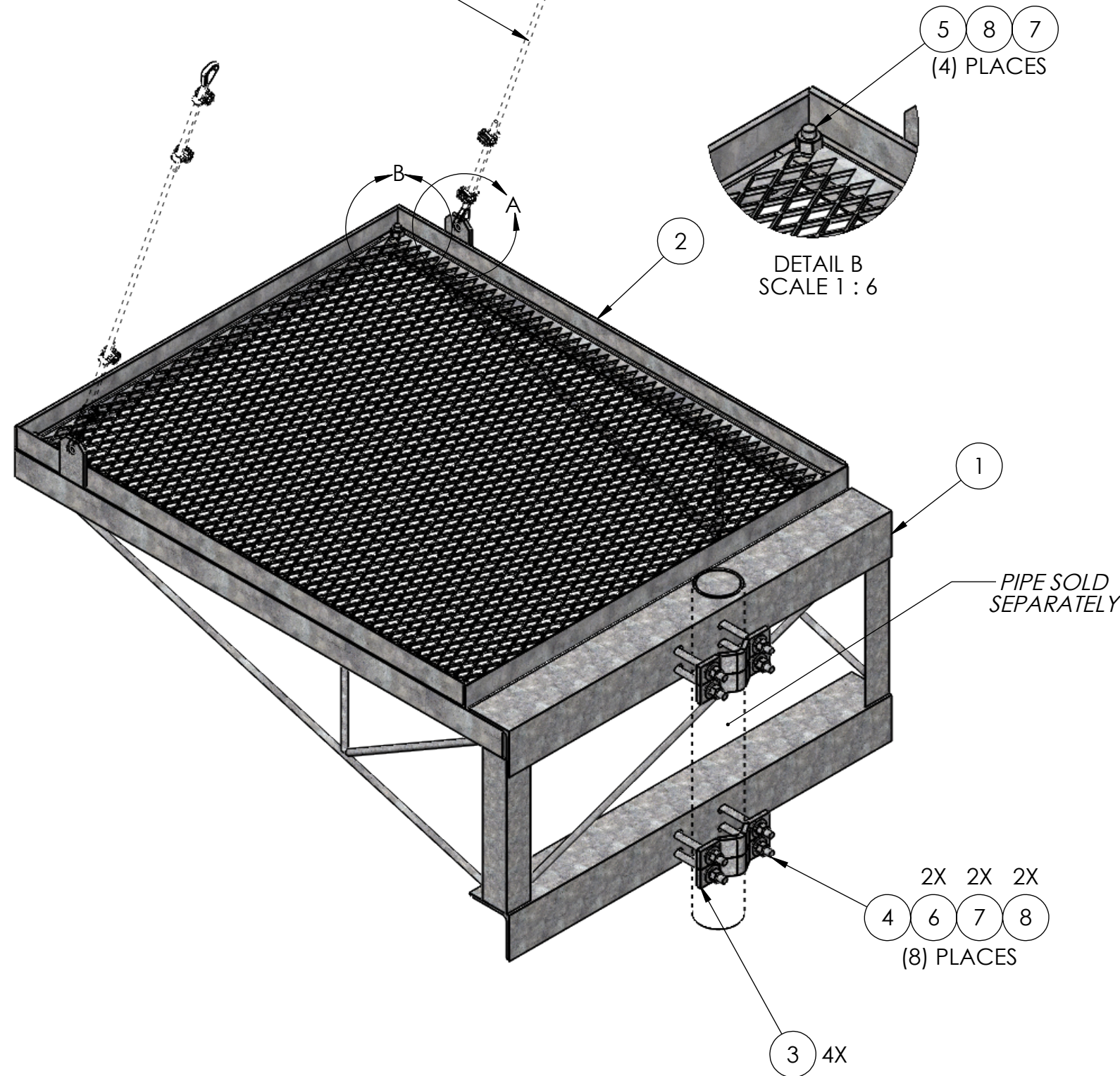


COMPONENTS FOR PART NUMBER ISSF-H KIT (ORDER SEPARATELY)	
DESCRIPTION	QTY.
7/16" HEAVY THIMBLE	4
3/8" DROP FORGED WIRE ROPE KIT	8
3/8" GALV. AIRCRAFT CABLE	40FT

ITEM NO.	PART NUMBER	DESCRIPTION	FINISH	WEIGHT (PER)	QTY.
1	ISSF-4.01	4' ICE SHIELD FOR DISHES (WELDMENT)	H.D.G.	151.48	1
2	ISSF-4.02	4' ICE SHIELD FRAME (WELDMENT)	H.D.G.	102.72	1
3	TW1321.01	CLAMP HALF 2-3/8" TO 5-9/16" O.D. ROUND (1/2" PLATE)	H.D.G.	2.44	4
4	GR625.008	5/8" x 8" THREADED ROD	H.D.G.	0.70	8
5	GB0516A	5/8" x 1-3/4" HEX BOLT	H.D.G.	0.26	4
6	GF05	5/8" FLAT WASHER	H.D.G.	0.08	16
7	GL05	5/8" LOCK WASHER	H.D.G.	0.03	20
8	GN05A	5/8" HEX NUT (2H)	H.D.G.	0.12	20

AIRCRAFT CABLE W/ CABLE HARDWARE SHOWN FOR ASSEMBLY CLARITY ONLY (ORDER SEPARATELY)



UNLESS OTHERWISE SPECIFIED: DIMENSIONS ARE IN INCHES TOLERANCE ± 1/16		DESCRIPTION: 4' ICE SHIELD FOR DISHES	
MATERIAL: - FINISH: H.D.G.		 PRO TOWER MANUFACTURING L.L.C. 5601 San Francisco St. NE Albuquerque, N.M. 87109 (505) 924-2810	DWG NO: ISSF-4
SIZE: B			DRAWN BY: AJK CHECKED BY: E. FILMER SHEET: 1 of 1
PROPRIETARY AND CONFIDENTIAL THE INFORMATION CONTAINED IN THIS DRAWING IS THE SOLE PROPERTY OF PRO TOWER MANUFACTURING L.L.C. ANY REPRODUCTION IN PART OR AS A WHOLE WITHOUT THE WRITTEN PERMISSION OF PRO TOWER MANUFACTURING L.L.C. IS PROHIBITED.		REV: - WEIGHT: 286.72	