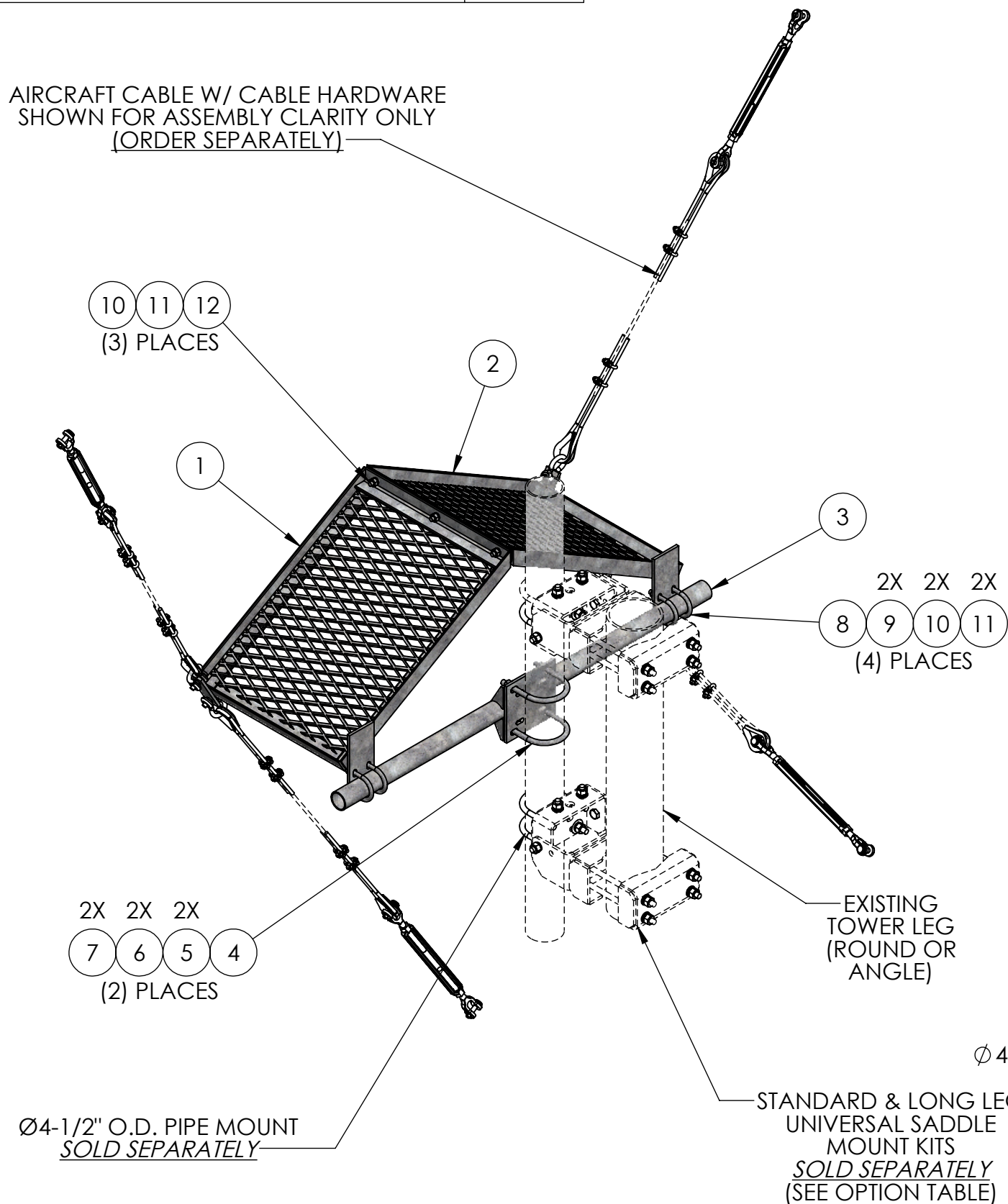


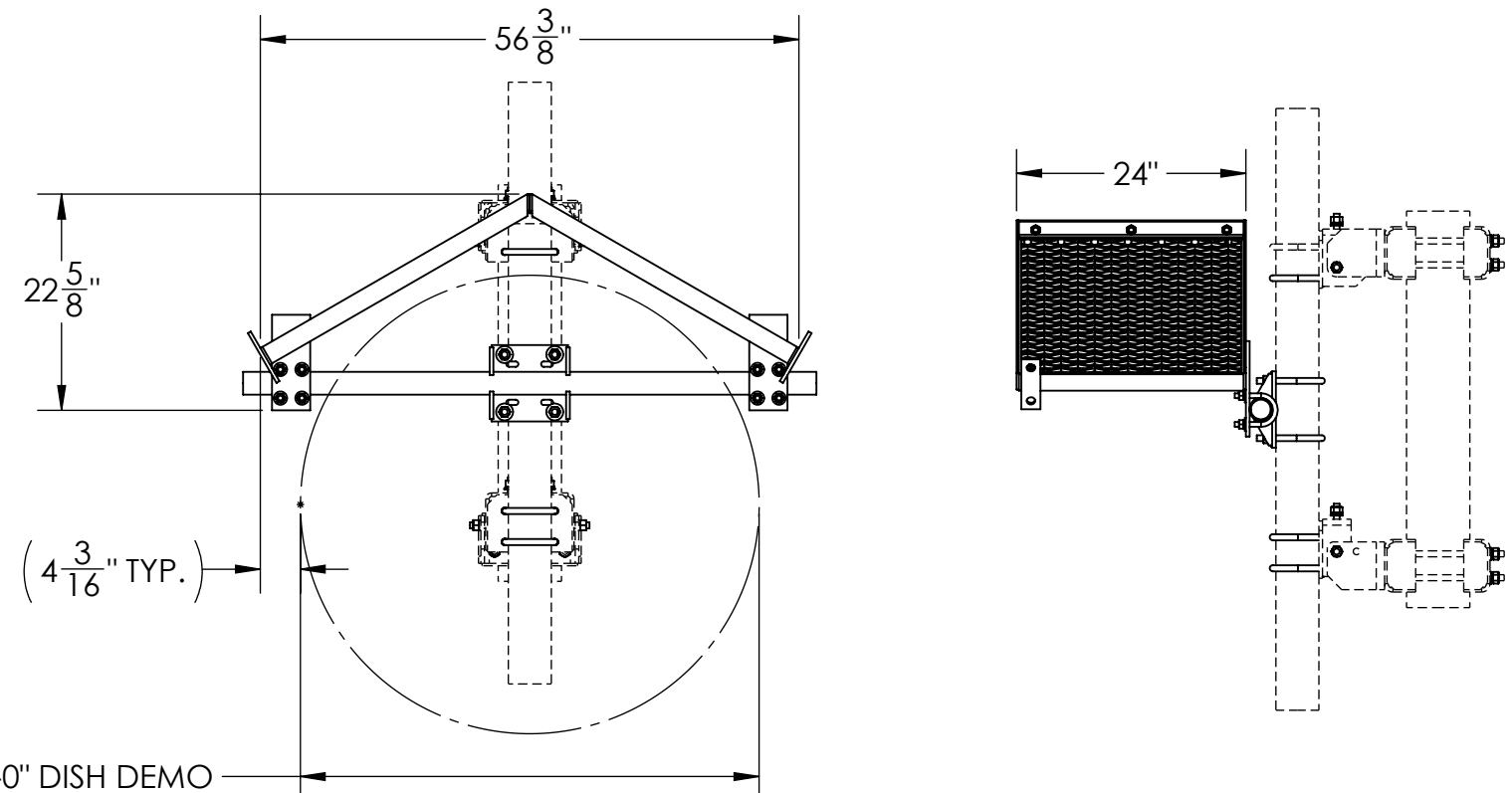
COMPONENTS FOR PART NUMBER IS-RH KIT (ORDER SEPARATELY)		
DESCRIPTION		QTY.
5/8" x 1.5 TON PIN SHACKLE		4
7/16" HEAVY THIMBLE		8
3/8" DROP FORGED WIRE ROPE CLIP		16
3/8" GALV. AIRCRAFT CABLE		80FT
5/8" x 12" J/J TURNBUCKLE		4

ITEM NO.	PART NUMBER	DESCRIPTION	FINISH	WEIGHT (PER)	QTY.
1	IS-F4L.01L	LEFT WING TRAY 4FT (WELDMENT)	H.D.G.	59.67	1
2	IS-F4L.01R	RIGHT WING TRAY 4FT (WELDMENT)	H.D.G.	59.67	1
3	IS-F4L.02	HORIZONTAL PIPE SUPPORT 4FT (WELDMENT) (L)	H.D.G.	25.91	1
4	GU54564	5/8" x 6-1/2" x 4-5/8" x 3" U-BOLT	H.D.G.	1.45	2
5	GF05	5/8" FLAT WASHER	H.D.G.	0.08	4
6	GL05	5/8" LOCK WASHER	H.D.G.	0.03	4
7	GN05A	5/8" HEX NUT (2H)	H.D.G.	0.12	4
8	GU42440	1/2" x 4" x 2-1/2" x 2" U-BOLT	H.D.G.	0.57	4
9	GF04	1/2" FLAT WASHER	H.D.G.	0.04	8
10	GL04	1/2" LOCK WASHER	H.D.G.	0.02	11
11	GN04A	1/2" HEX NUT (2H)	H.D.G.	0.06	11
12	GB0414A	1/2 X 1-1/2 BOLT	H.D.G.	0.15	3

AIRCRAFT CABLE W/ CABLE HARDWARE SHOWN FOR ASSEMBLY CLARITY ONLY (ORDER SEPARATELY)



SOLD SEPARATELY			
PART NUMBER	DESCRIPTION	FITS (ANGLE & PIPE TOWER LEGS)	QTY.
TW1126	UNIVERSAL SADDLE MOUNT	L2-3/4" TO L4-1/2" / Ø1-3/4" TO Ø6-5/8" O.D.	1
TW1128	UNIVERSAL SADDLE MOUNT (LONG LEG ADAPTER KIT)	L3" TO L8-1/2" / Ø1-3/4" TO Ø12" O.D.	1



Ø4-1/2" O.D. PIPE MOUNT
SOLD SEPARATELY

STANDARD & LONG LEG
UNIVERSAL SADDLE
MOUNT KITS
SOLD SEPARATELY
(SEE OPTION TABLE)

UNLESS OTHERWISE SPECIFIED: DIMENSIONS ARE IN INCHES TOLERANCE ± 1/16		DESCRIPTION: 4'-0" LIGHTWEIGHT FLAT ICE SHIELD, FITS 3' - 4' DISH	
MATERIAL -	FINISH H.D.G.	<p>PRO TOWER MANUFACTURING L.L.C. 5601 San Francisco St. NE Albuquerque, N.M. 87109 (505) 924-2810</p>	
SIZE B	DWG NO: IS-F4L		REV
PROPRIETARY AND CONFIDENTIAL THE INFORMATION CONTAINED IN THIS DRAWING IS THE SOLE PROPERTY OF PRO TOWER MANUFACTURING L.L.C. ANY REPRODUCTION IN PART OR AS A WHOLE WITHOUT THE WRITTEN PERMISSION OF PRO TOWER MANUFACTURING L.L.C. IS PROHIBITED.		DRAWN BY: AJK	DATE: 6/28/2023
		CHECKED BY: E. FILMER	DATE: 6/28/2023
		SHEET: 1 of 1	SCALE: NTS
		WEIGHT: 202.38	