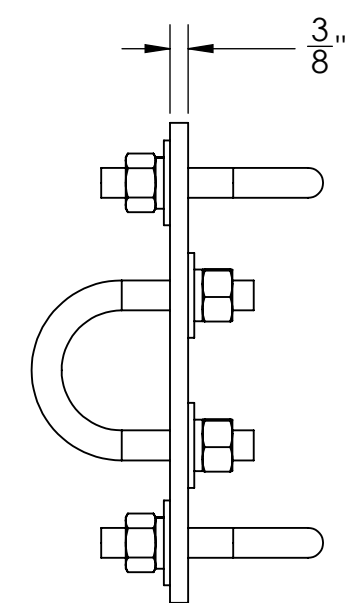
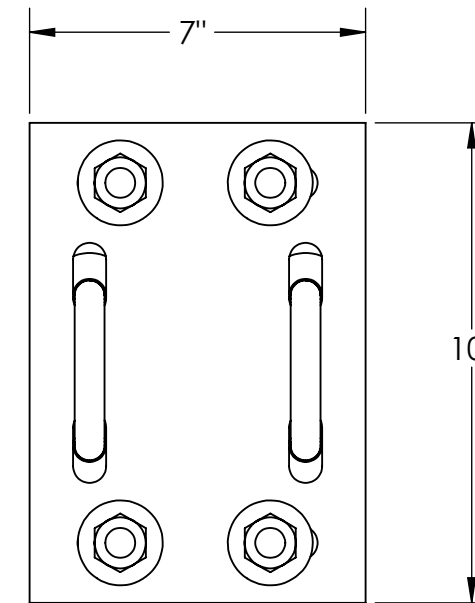
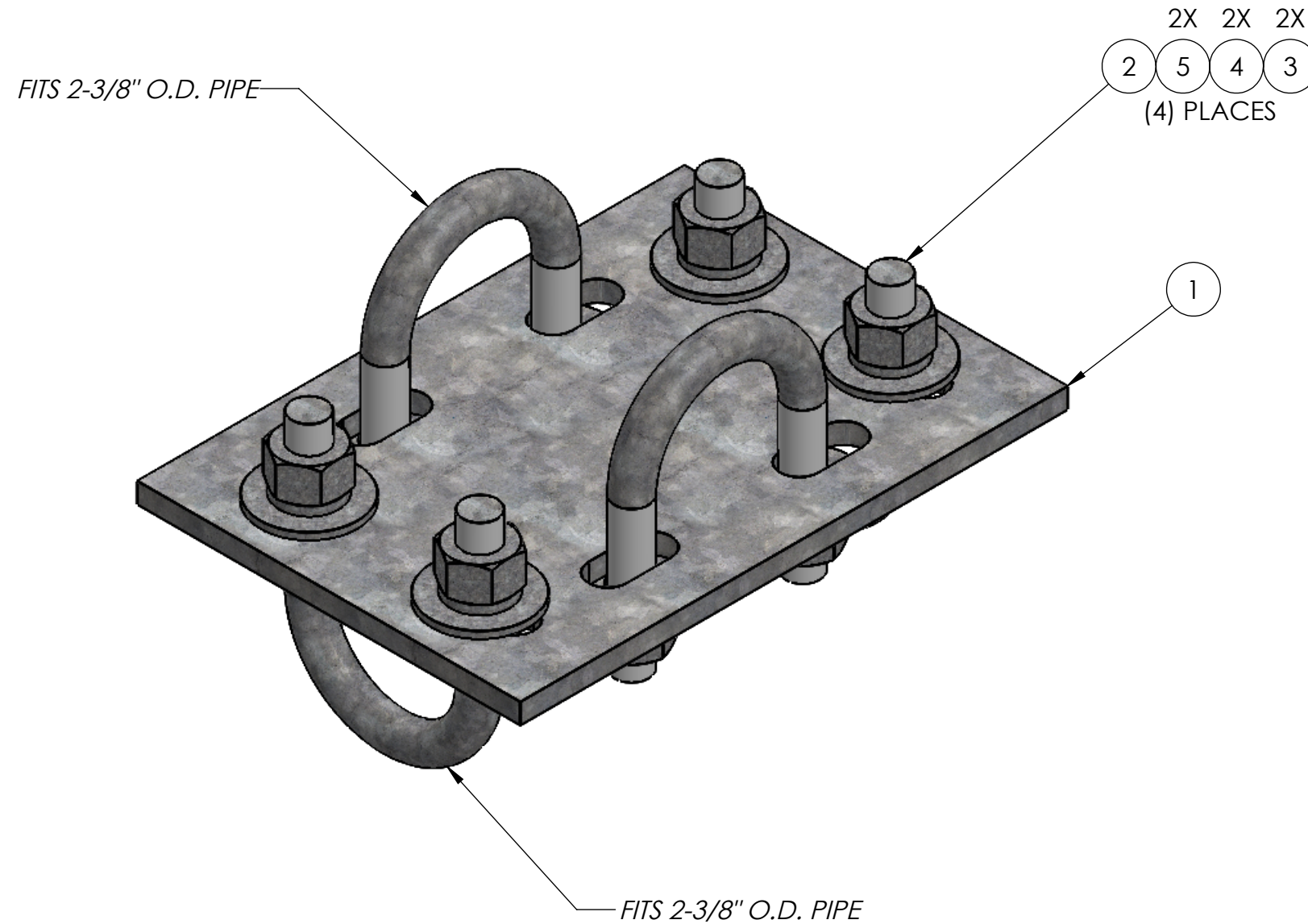


| ITEM NO. | PART NUMBER | DESCRIPTION                               | FINISH | WEIGHT (PER) | QTY. |
|----------|-------------|---|--------|--------------|------|
| 1        | TW1159.01   | HEAVY DUTY CROSSOVER PLATE, 5/8" HARDWARE | H.D.G. | 6.67         | 1    |
| 2        | GU54440     | 5/8" x 4" x 2-1/2" x 2" U-BOLT            | H.D.G. | 0.91         | 4    |
| 3        | GF05        | 5/8" FLAT WASHER                          | H.D.G. | 0.08         | 8    |
| 4        | GL05        | 5/8" LOCK WASHER                          | H.D.G. | 0.03         | 8    |
| 5        | GN05A       | 5/8" HEX NUT(2H)                          | H.D.G. | 0.12         | 8    |



|   |                  |   |   |
|---|------------------|---|---|
| UNLESS OTHERWISE SPECIFIED:<br>DIMENSIONS ARE IN INCHES<br>TOLERANCE ± 1/16   |                  | DESCRIPTION: HEAVY DUTY CROSSOVER PLATE KIT, 2-3/8" O.D. TO<br>2-3/8" O.D. PIPE   |   |
| MATERIAL -  |                  |  <b>PRO TOWER<br/>MANUFACTURING<br/>L.L.C.</b><br>5601 San Francisco St. NE<br>Albuquerque, N.M. 87109<br>(505) 924-2810 | DWG NO:<br>TW1159   |
| FINISH<br>H.D.G.  | SIZE<br><b>B</b> |   | DRAWN BY: A.J.K.<br>CHECKED BY: T.SMYTHE<br>SHEET: 1 of 1 |
| PROPRIETARY AND CONFIDENTIAL<br>THE INFORMATION CONTAINED IN THIS<br>DRAWING IS THE SOLE PROPERTY OF<br>PRO TOWER MANUFACTURING L.L.C. ANY<br>REPRODUCTION IN PART OR AS A WHOLE<br>WITHOUT THE WRITTEN PERMISSION OF<br>PRO TOWER MANUFACTURING L.L.C. IS<br>PROHIBITED. |                  | REV<br>WEIGHT:<br>12.09   |   |