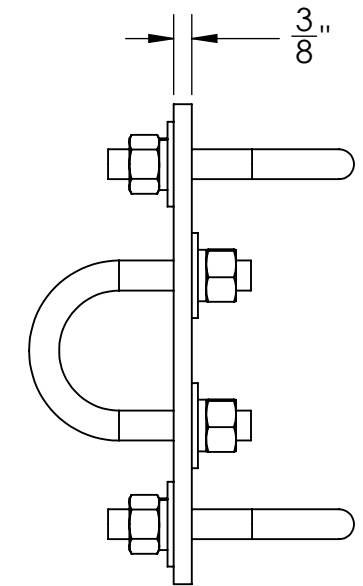
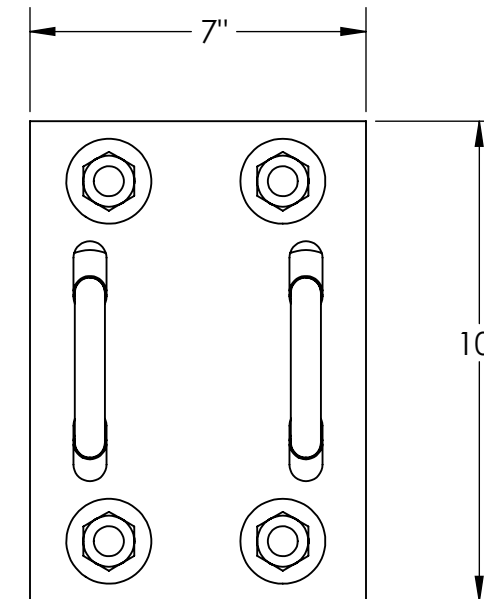
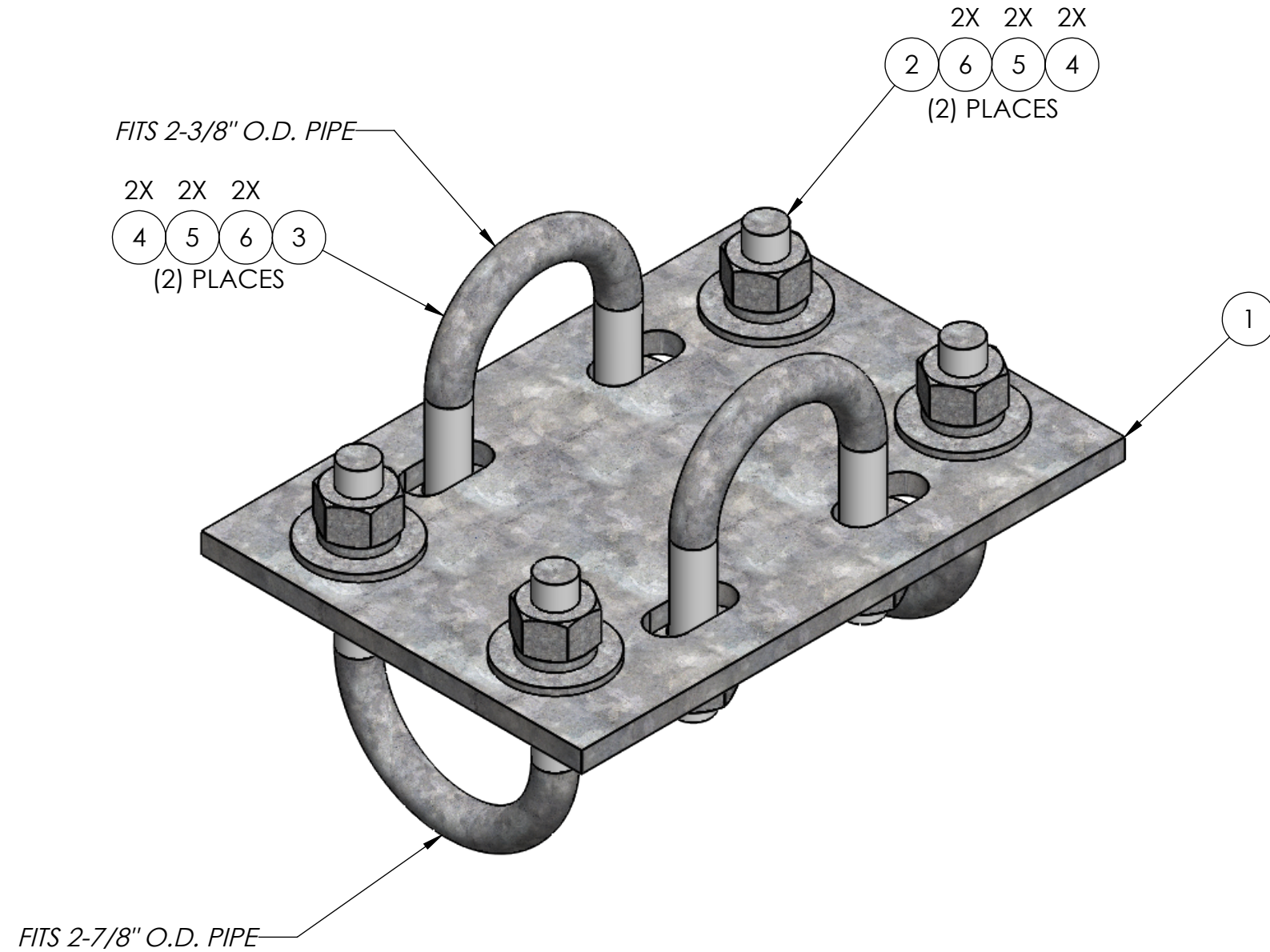


ITEM NO.	PART NO.	DESCRIPTION	FINISH	WEIGHT (PER)	QTY.
1	TW1159.01	HEAVY DUTY CROSSOVER PLATE, 5/8" HARDWARE	H.D.G.	6.67	1
2	GU54445	5/8" x 4-1/2" x 3" x 2" U-BOLT	H.D.G.	1.02	2
3	GU54440	5/8" x 4" x 2-1/2" x 2" U-BOLT	H.D.G.	0.91	2
4	GF05	5/8" WASHER	H.D.G.	0.08	8
5	GL05	5/8" LOCK WASHER	H.D.G.	0.03	8
6	GN05A	5/8" HEX NUT(2H)	H.D.G.	0.12	8



UNLESS OTHERWISE SPECIFIED: DIMENSIONS ARE IN INCHES TOLERANCE ± 1/16		DESCRIPTION: HEAVY DUTY CROSSOVER PLATE, 2-3/8" O.D. TO 2-7/8" O.D. PIPE	
MATERIAL -	SIZE B	 PRO TOWER MANUFACTURING L.L.C. 5601 San Francisco St. NE Albuquerque, N.M. 87109 (505) 924-2810	DWG NO: TW1160
FINISH H.D.G.			DRAWN BY: A.J.K. CHECKED BY: T.SMYTHE SHEET: 1 of 1
			REV WEIGHT: 12.31