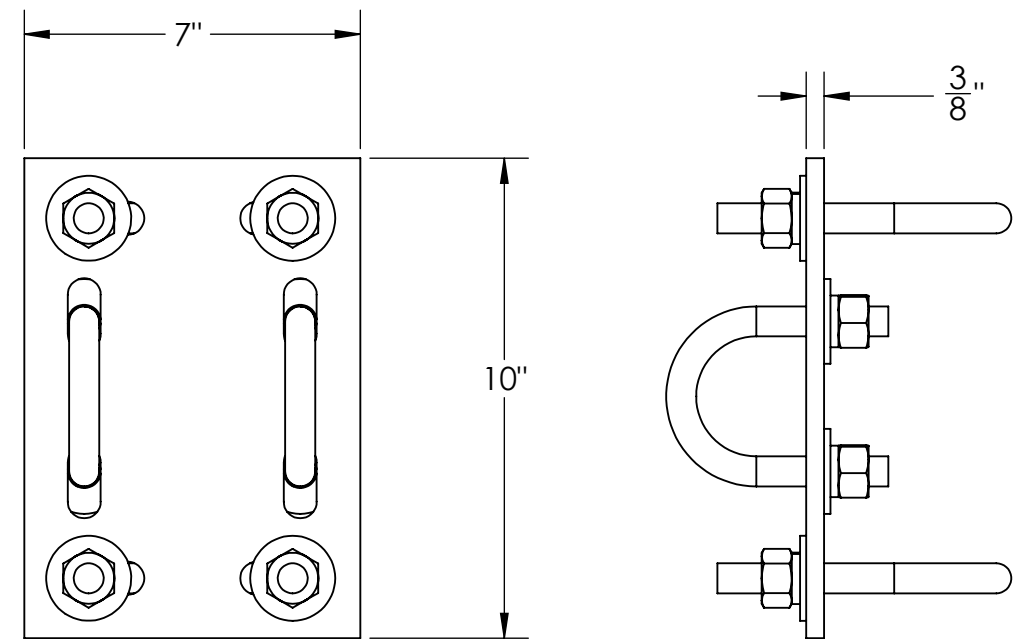
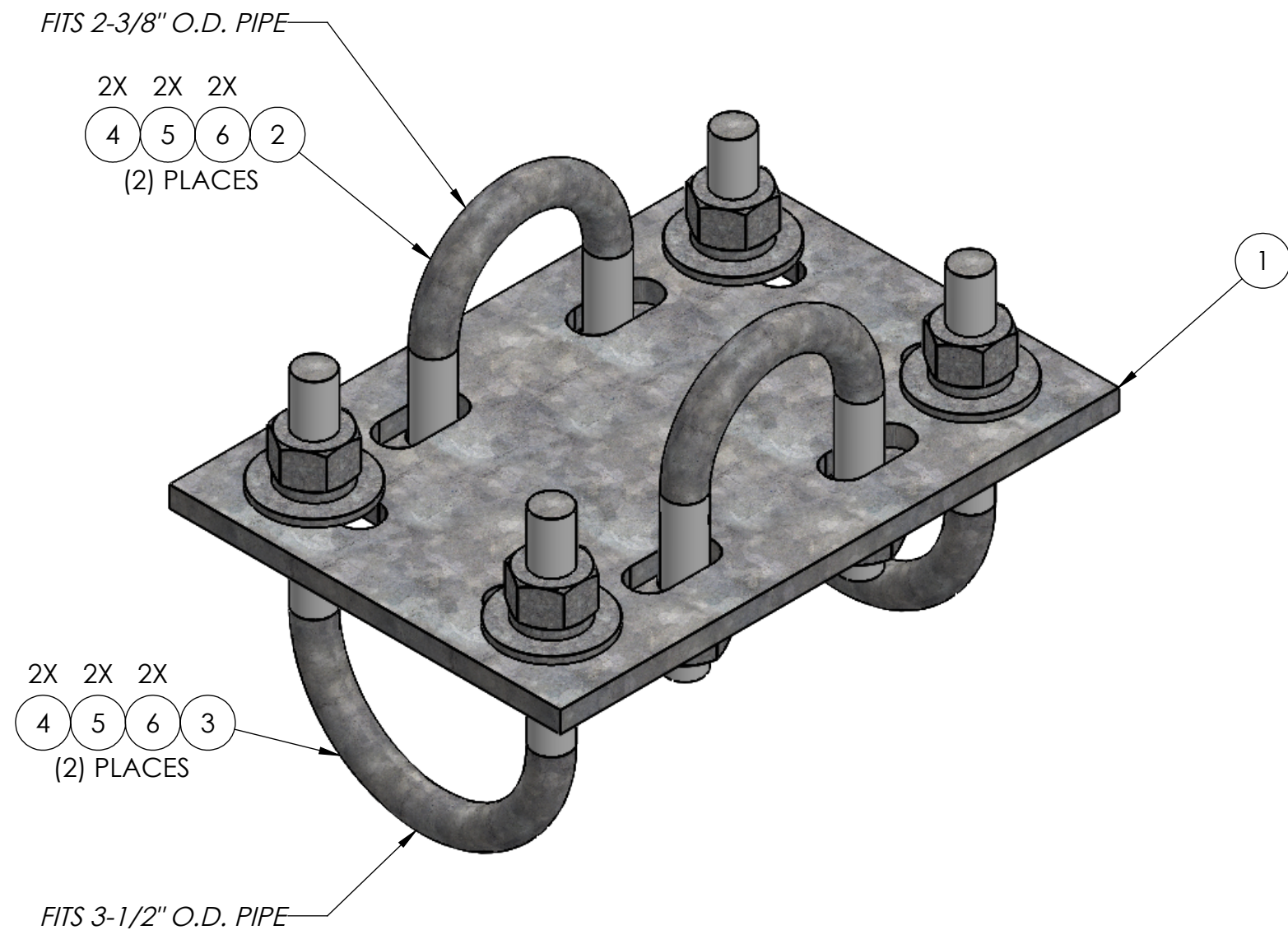


ITEM NO.	PART NUMBER	DESCRIPTION	FINISH	WEIGHT (PER)	QTY.
1	TW1159.01	HEAVY DUTY CROSSOVER PLATE, 5/8" HARDWARE	H.D.G.	6.67	1
2	GU54440	5/8" x 4" x 2-1/2" x 2" U-BOLT	H.D.G.	0.91	2
3	GU54550	5/8" x 5-1/2" x 3-5/8" x 2-1/2" U-BOLT	H.D.G.	1.23	2
4	GF05	5/8" FLAT WASHER	H.D.G.	0.08	8
5	GL05	5/8" LOCK WASHER	H.D.G.	0.03	8
6	GN05A	5/8" HEX NUT(2H)	H.D.G.	0.12	8



UNLESS OTHERWISE SPECIFIED: DIMENSIONS ARE IN INCHES TOLERANCE ± 1/16		DESCRIPTION: HEAVY DUTY CROSSOVER PLATE KIT, 2-3/8" O.D. TO 3-1/2" O.D. PIPE	
MATERIAL: -		 <b>PRO TOWER MANUFACTURING L.L.C.</b> 5601 San Francisco St. NE Albuquerque, N.M. 87109 (505) 924-2810	DWG NO: TW1161
FINISH: H.D.G.	SIZE: <b>B</b>		DRAWN BY: AJK CHECKED BY: T.SMYTHE SHEET: 1 of 1
PROPRIETARY AND CONFIDENTIAL THE INFORMATION CONTAINED IN THIS DRAWING IS THE SOLE PROPERTY OF PRO TOWER MANUFACTURING L.L.C. ANY REPRODUCTION IN PART OR AS A WHOLE WITHOUT THE WRITTEN PERMISSION OF PRO TOWER MANUFACTURING L.L.C. IS PROHIBITED.		REV: 12.72	