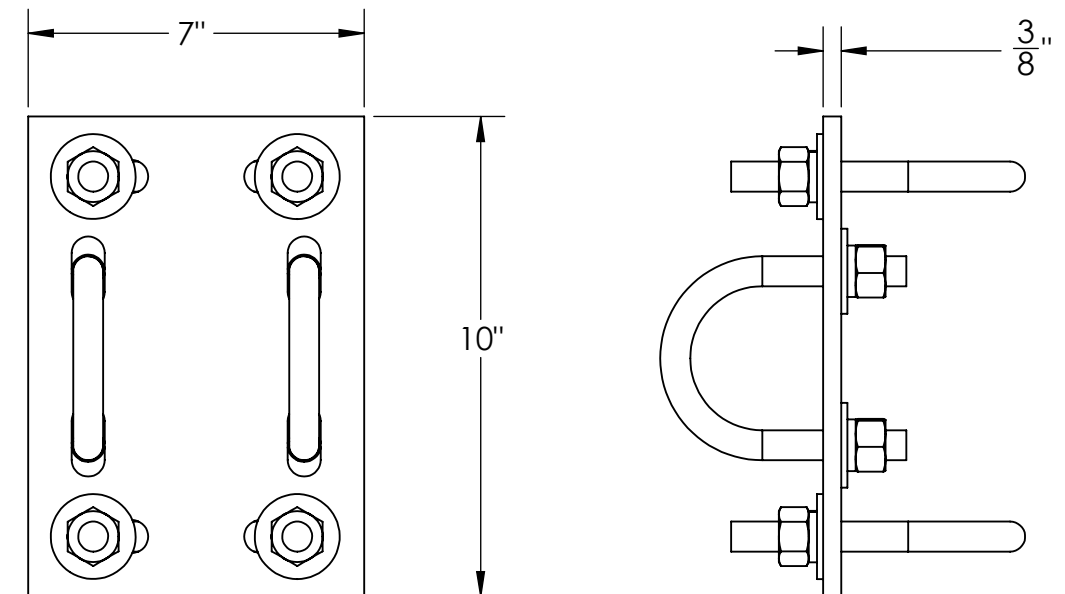
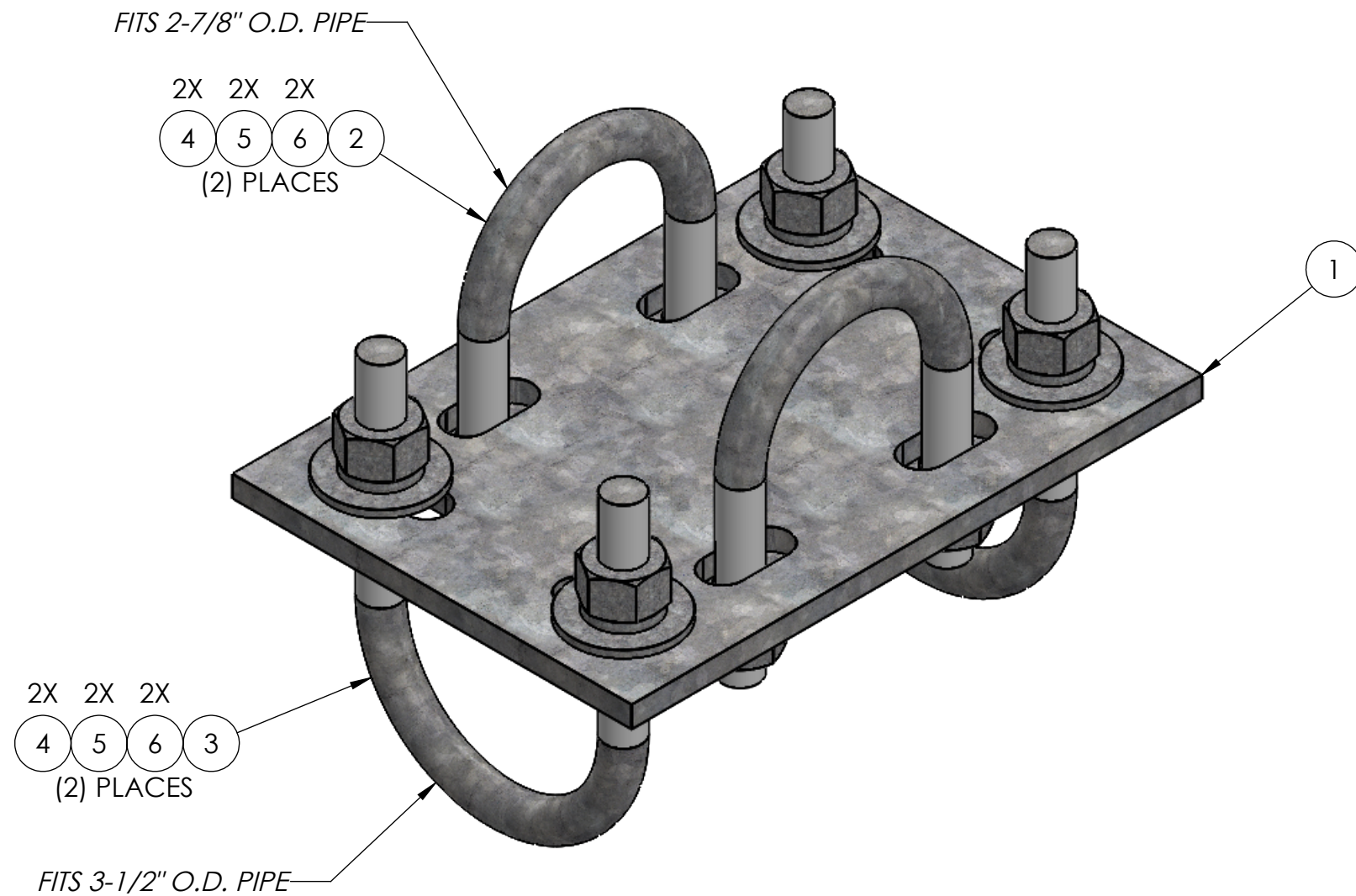


ITEM NO.	PART NUMBER	DESCRIPTION	FINISH	WEIGHT (PER)	QTY.
1	TW1159.01	HEAVY DUTY CROSSOVER PLATE, 5/8" HARDWARE	H.D.G.	6.67	1
2	GU54445	5/8" x 4-1/2" x 3" x 2" U-BOLT	H.D.G.	1.02	2
3	GU54550	5/8" x 5-1/2" x 3-5/8" x 2-1/2" U-BOLT	H.D.G.	1.23	2
4	GF05	5/8" WASHER	H.D.G.	0.08	8
5	GL05	5/8" LOCK WASHER	H.D.G.	0.03	8
6	GN05A	5/8" HEX NUT(2H)	H.D.G.	0.12	8



UNLESS OTHERWISE SPECIFIED: DIMENSIONS ARE IN INCHES TOLERANCE ± 1/16		DESCRIPTION: HEAVY DUTY CROSSOVER PLATE KIT, 2-7/8" O.D. TO 3-1/2" O.D. PIPE		
MATERIAL: -		 PRO TOWER MANUFACTURING L.L.C. 5601 San Francisco St. NE Albuquerque, N.M. 87109 (505) 924-2810	DWG NO: TW1163	
FINISH: H.D.G.	SIZE: B		DRAWN BY: AJK CHECKED BY: T.SMYTHE SHEET: 1 of 1	DATE: 6/30/2021 DATE: 6/30/2021 SCALE: NTS