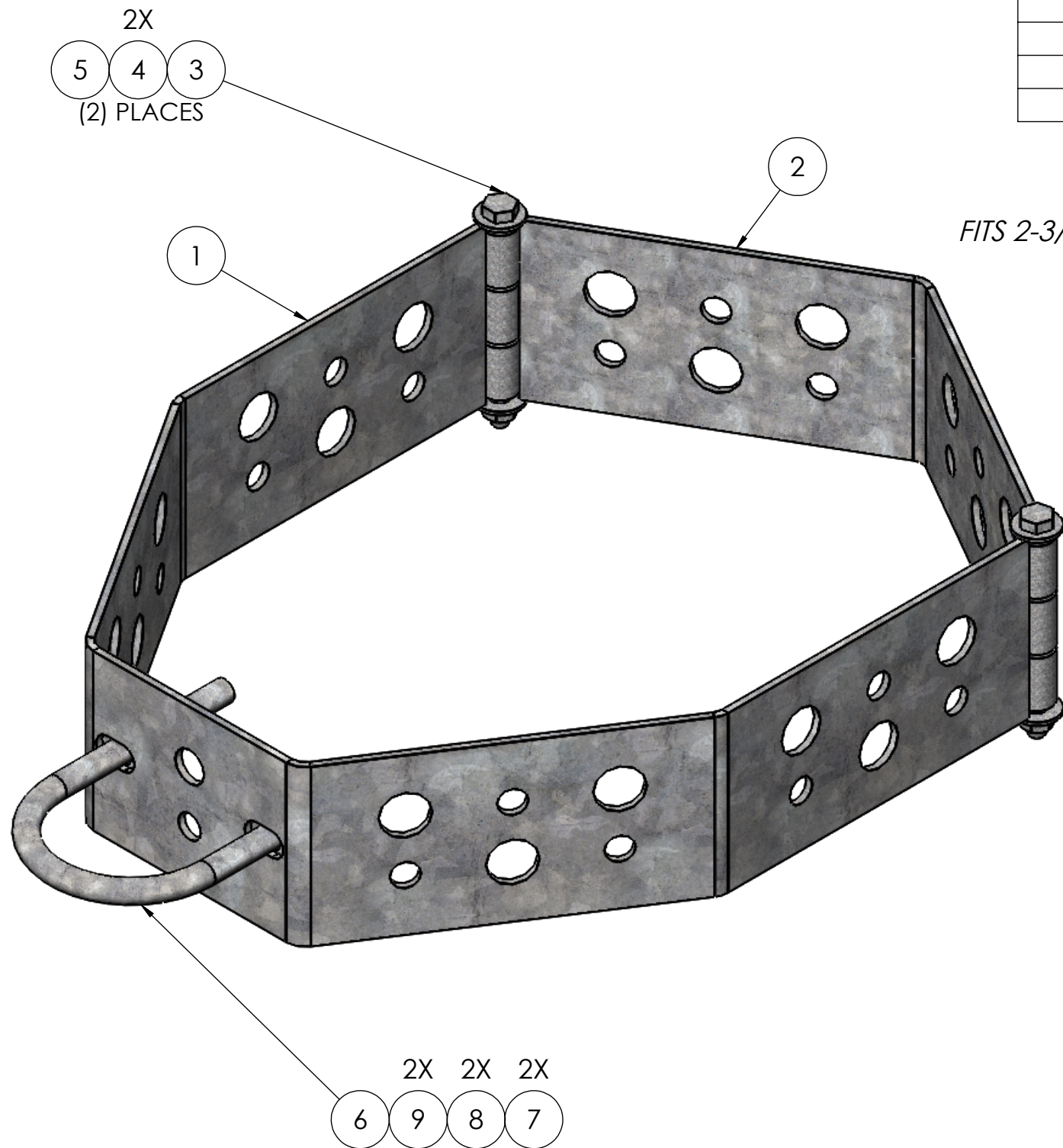
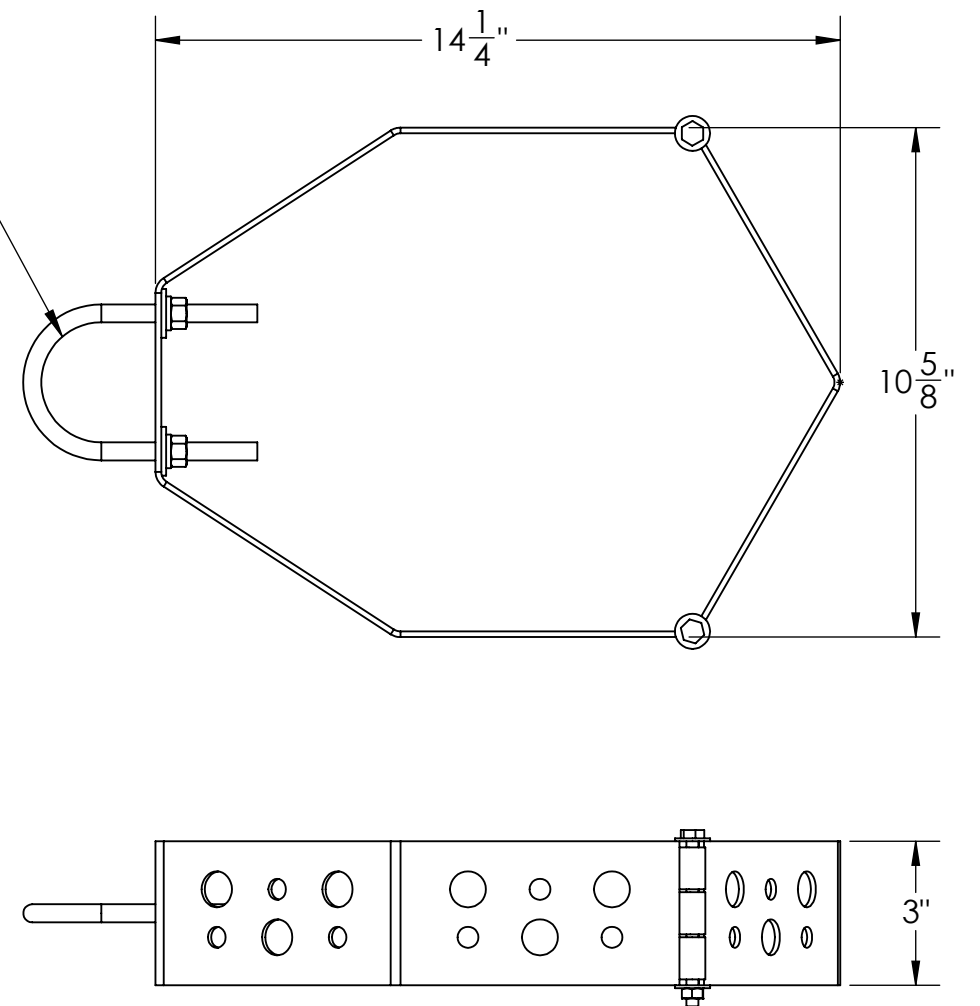


ITEM NO.	PART NUMBER	DESCRIPTION	FINISH	WEIGHT (PER)	QTY.
1	CS1120.01	HINGED BASE BRACKET (WELDMENT)	H.D.G.	2.60	1
2	CS1120.02	HINGED CLUSTER BRACKET END PIECE (WELDMENT)	H.D.G.	1.17	1
3	GB02345	1/4" x 3-1/2" HEX BOLT	N/A	0.06	2
4	GF02	1/4" FLAT WASHER	N/A	0.01	4
5	GN02	1/4" HEX NUT	N/A	0.01	2
6	GU32440	3/8" x 4-1/2" x 2-1/2" x 2" U-BOLT	H.D.G.	0.35	1
7	GF03	3/8" FLAT WASHER	H.D.G.	0.02	2
8	GL03	3/8" LOCK WASHER	H.D.G.	0.01	2
9	GN03	3/8" HEX NUT	H.D.G.	0.02	2



FITS 2-3/8" O.D. PIPE



UNLESS OTHERWISE SPECIFIED: DIMENSIONS ARE IN INCHES TOLERANCE ± 1/16		DESCRIPTION: HINGE CLUSTER SUPPORT BRACKET, 18 HOLE		
MATERIAL -		 PRO TOWER MANUFACTURING L.L.C. 5601 San Francisco St. NE Albuquerque, N.M. 87109 (505) 924-2810	DWG NO: CS1120	
FINISH H.D.G.	SIZE B		DRAWN BY: AJK CHECKED BY: T.SMYTHE SHEET: 1 of 1	DATE: 7/13/2021 DATE: 7/13/2021 SCALE: NTS