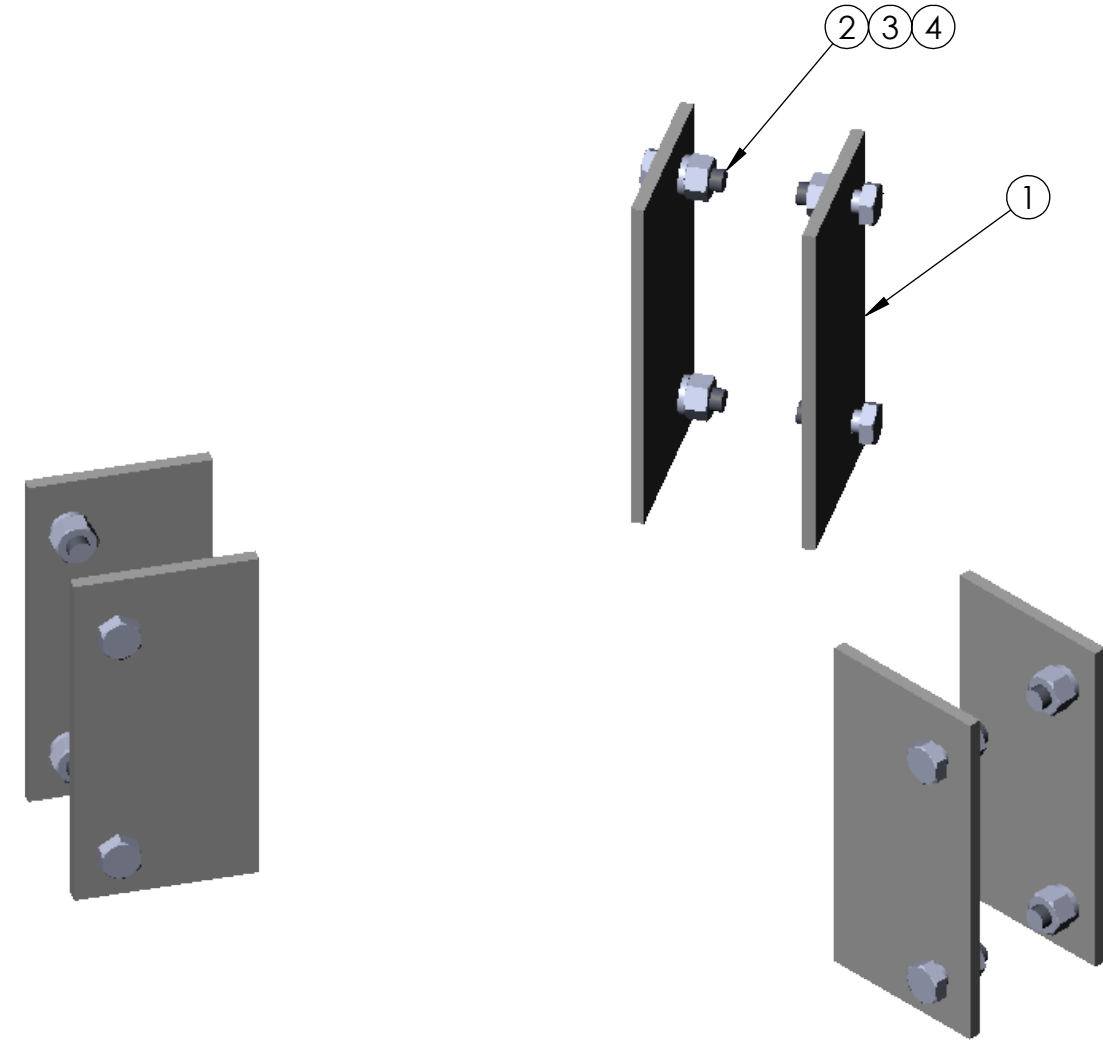
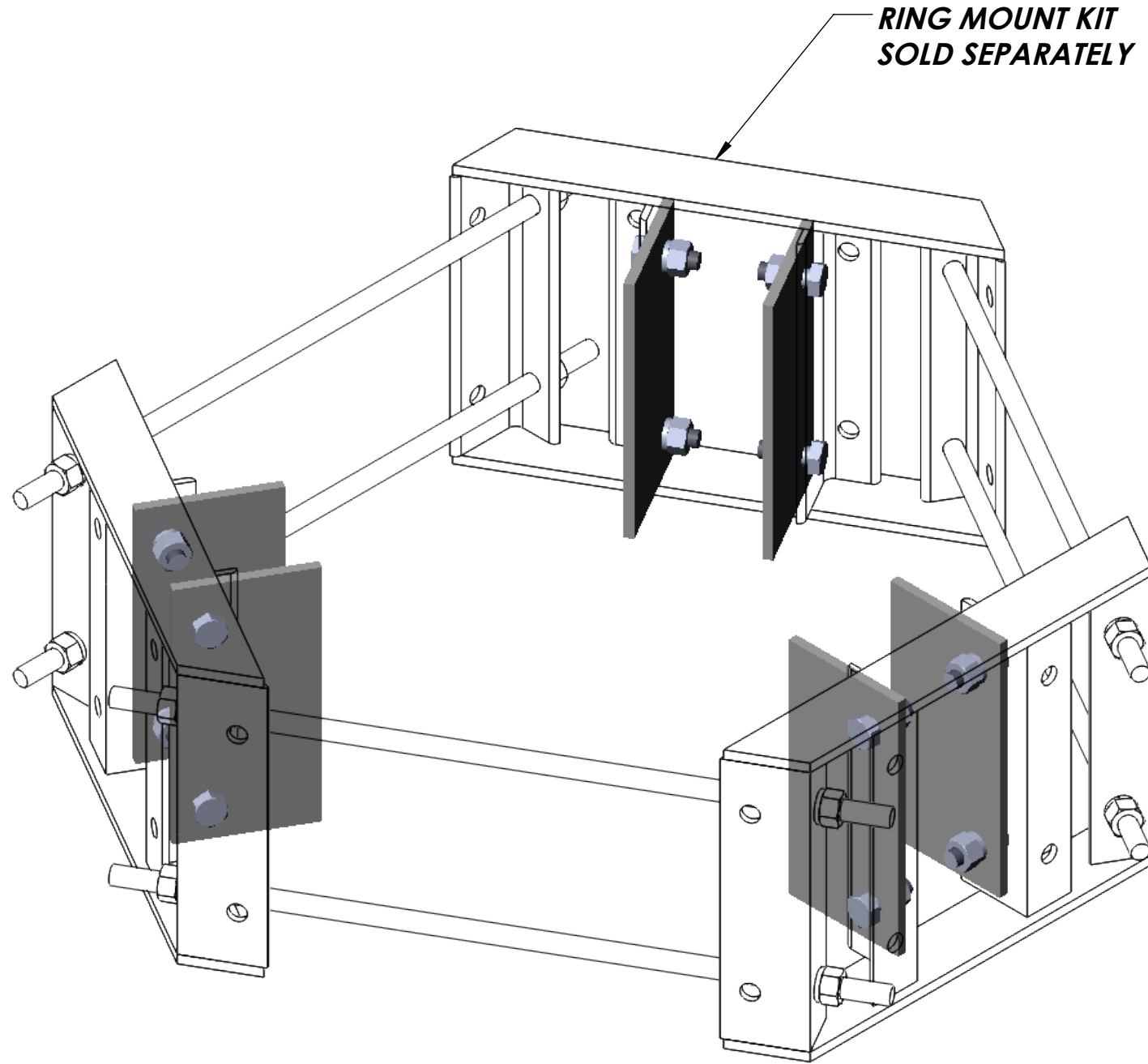



ITEM NO.	PART NUMBER	DESCRIPTION	MATERIAL	FINISH	QTY.
1	MP1000.02	SMALL POLE ADAPTER PLATE (3/8" PLATE)	A36	H.D.G.	6
2	GB0516A	5/8" x 1-3/4" HEX BOLT	A325	H.D.G.	12
3	GL05	5/8" LOCK WASHER	GR.5	H.D.G.	12
4	GN05A	5/8" HEX NUT	A325	H.D.G.	12

**RING MOUNT KIT
SOLD SEPARATELY**



UNLESS OTHERWISE SPECIFIED: DIMENSIONS ARE IN INCHES TOLERANCE ± 1/16		DESCRIPTION: 3 SECTOR LIGHT WEIGHT RING MOUNT ADAPTER PLATE KIT 6" TO 10-1/2" POLE		
MATERIAL -		 PRO TOWER MANUFACTURING L.L.C. 5601 San Francisco St. NE Albuquerque, N.M. 87109 (505) 924-2810	DWG NO: MP1006	
FINISH H.D.G.			DRAWN BY: C.AIKIN CHECKED BY: T.SMYTHE SHEET: 1 of 1	DATE: 8/6/2019 DATE: 8/6/2019 SCALE: NTS

SIZE
B

PROPRIETARY AND CONFIDENTIAL
 THE INFORMATION CONTAINED IN THIS
 DRAWING IS THE SOLE PROPERTY OF
 PRO TOWER MANUFACTURING L.L.C. ANY
 REPRODUCTION IN PART OR AS A WHOLE
 WITHOUT THE WRITTEN PERMISSION OF
 PRO TOWER MANUFACTURING L.L.C. IS
 PROHIBITED.