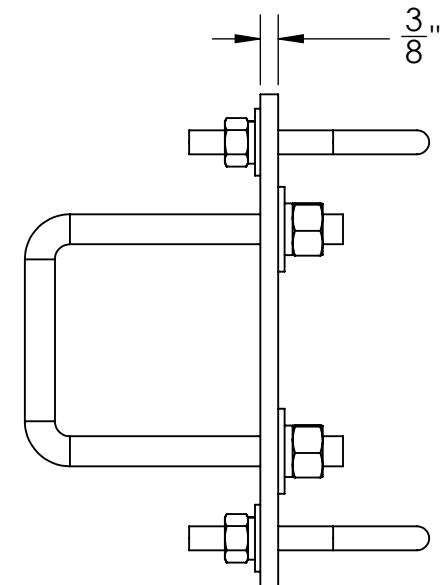
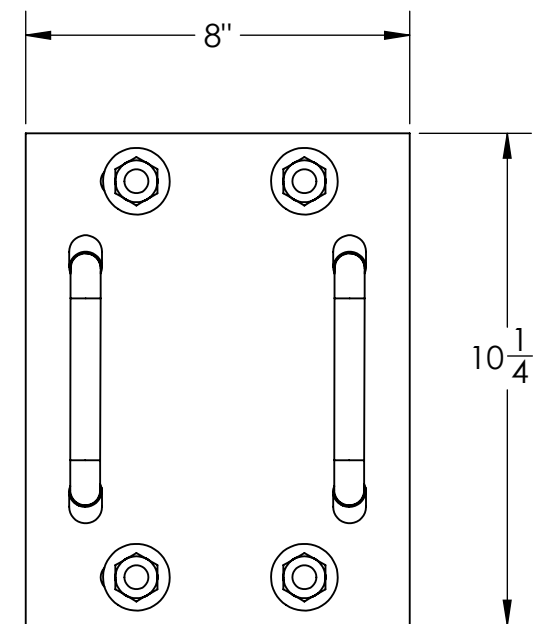
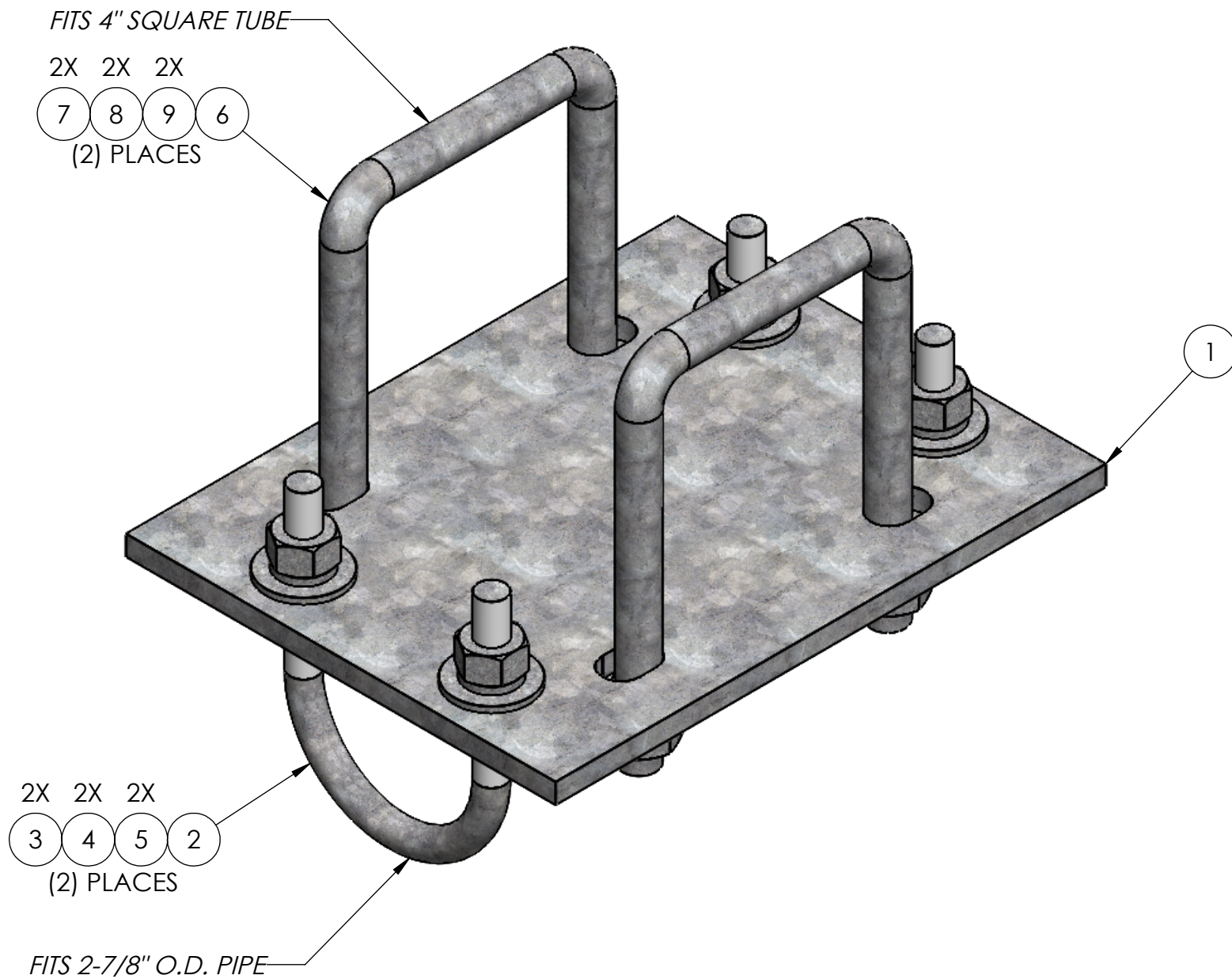


ITEM NO.	PART NUMBER	DESCRIPTION	FINISH	WEIGHT (PER)	QTY.
1	TW1107	LARGE CROSSOVER PLATE (3/8" PLATE)	H.D.G.	8.22	1
2	GU43045	1/2" x 4-1/2" x 3" x 2" U-BOLT	H.D.G.	0.64	2
3	GF04	1/2" FLAT WASHER	H.D.G.	0.04	4
4	GL04	1/2" LOCK WASHER	H.D.G.	0.02	4
5	GN04A	1/2" HEX NUT	H.D.G.	0.06	4
6	GUS56040	5/8" x 6" x 4" x 2" U-BOLT	H.D.G.	1.46	2
7	GF05	5/8" FLAT WASHER	H.D.G.	0.08	4
8	GL05	5/8" LOCK WASHER	H.D.G.	0.03	4
9	GN05	5/8" HEX NUT	H.D.G.	0.12	4



2X 2X 2X  
 3 4 5 2  
 (2) PLACES

FITS 2-7/8" O.D. PIPE

UNLESS OTHERWISE SPECIFIED: DIMENSIONS ARE IN INCHES TOLERANCE ± 1/16		DESCRIPTION: LARGE CROSSOVER PLATE KIT, 4" SQUARE TO 2-7/8" O.D. PIPE	
MATERIAL: -		 <b>PRO TOWER MANUFACTURING L.L.C.</b> 5601 San Francisco St. NE Albuquerque, N.M. 87109 (505) 924-2810	DWG NO: TW1109-SQ
FINISH: H.D.G.			DRAWN BY: AJK CHECKED BY: T.SMYTHE SHEET: 1 of 1
SIZE: <b>B</b>		DATE: 6/30/2021 DATE: 6/30/2021 SCALE: NTS REV: _____ WEIGHT: 13.54	
PROPRIETARY AND CONFIDENTIAL THE INFORMATION CONTAINED IN THIS DRAWING IS THE SOLE PROPERTY OF PRO TOWER MANUFACTURING L.L.C. ANY REPRODUCTION IN PART OR AS A WHOLE WITHOUT THE WRITTEN PERMISSION OF PRO TOWER MANUFACTURING L.L.C. IS PROHIBITED.			