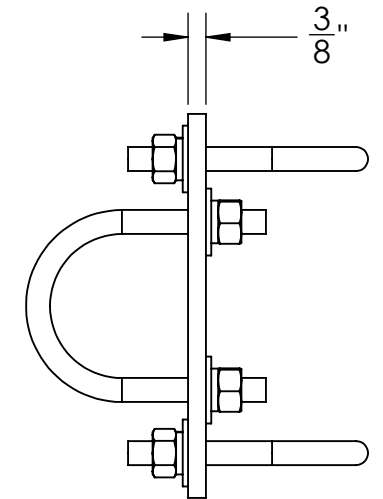
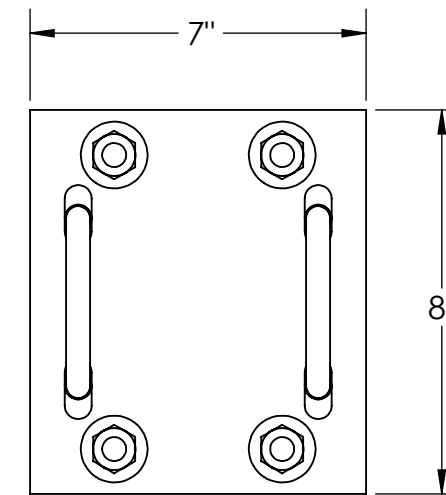
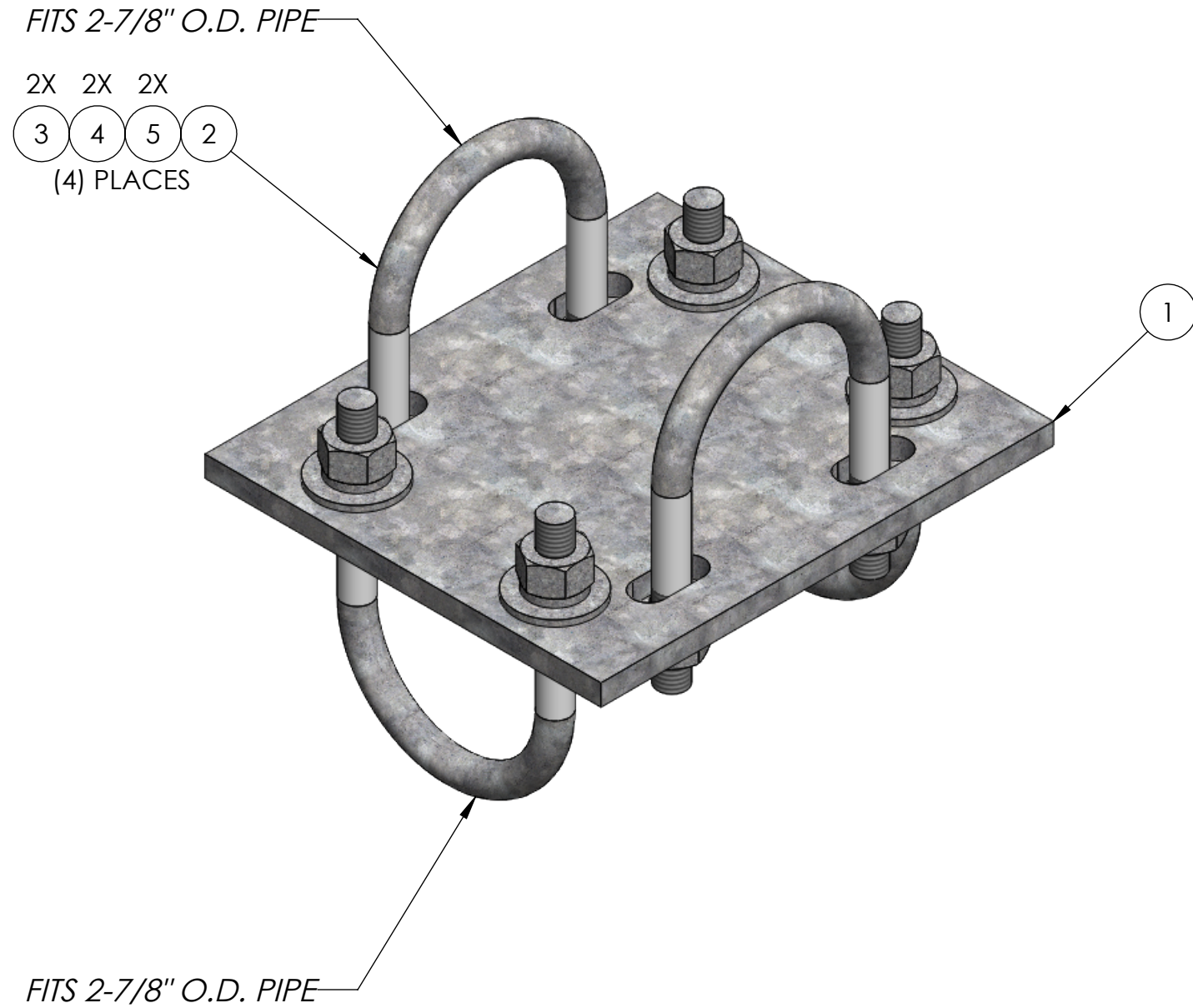


ITEM NO.	PART NUMBER	DESCRIPTION	FINISH	WEIGHT (PER)	QTY.
1	TW1100	MEDIUM CROSSOVER PLATE (3/8" PLATE)	H.D.G.	5.43	1
2	GU43045	1/2" x 4-1/2" x 3" x 2" U-BOLT	H.D.G.	0.64	4
3	GF04	1/2" FLAT WASHER	H.D.G.	0.04	8
4	GL04	1/2" LOCK WASHER	H.D.G.	0.02	8
5	GN04A	1/2" HEX NUT	H.D.G.	0.06	8



MATERIAL		UNLESS OTHERWISE SPECIFIED: DIMENSIONS ARE IN INCHES TOLERANCE ± 1/16	DESCRIPTION: MEDIUM CROSSOVER PLATE KIT, 2-7/8" TO 2-7/8" PIPE		
FINISH H.D.G.			 PRO TOWER MANUFACTURING L.L.C. 5601 San Francisco St. NE Albuquerque, N.M. 87109 (505) 924-2810	DWG NO: TW1104	
SIZE B		PROPRIETARY AND CONFIDENTIAL THE INFORMATION CONTAINED IN THIS DRAWING IS THE SOLE PROPERTY OF PRO TOWER MANUFACTURING L.L.C. ANY REPRODUCTION IN PART OR AS A WHOLE WITHOUT THE WRITTEN PERMISSION OF PRO TOWER MANUFACTURING L.L.C. IS PROHIBITED.		DRAWN BY: A.J.K.	DATE: 7/6/2021
			CHECKED BY: E.FILMER	DATE: 7/6/2021	WEIGHT:
			SHEET: 1 of 1	SCALE: NTS	8.96