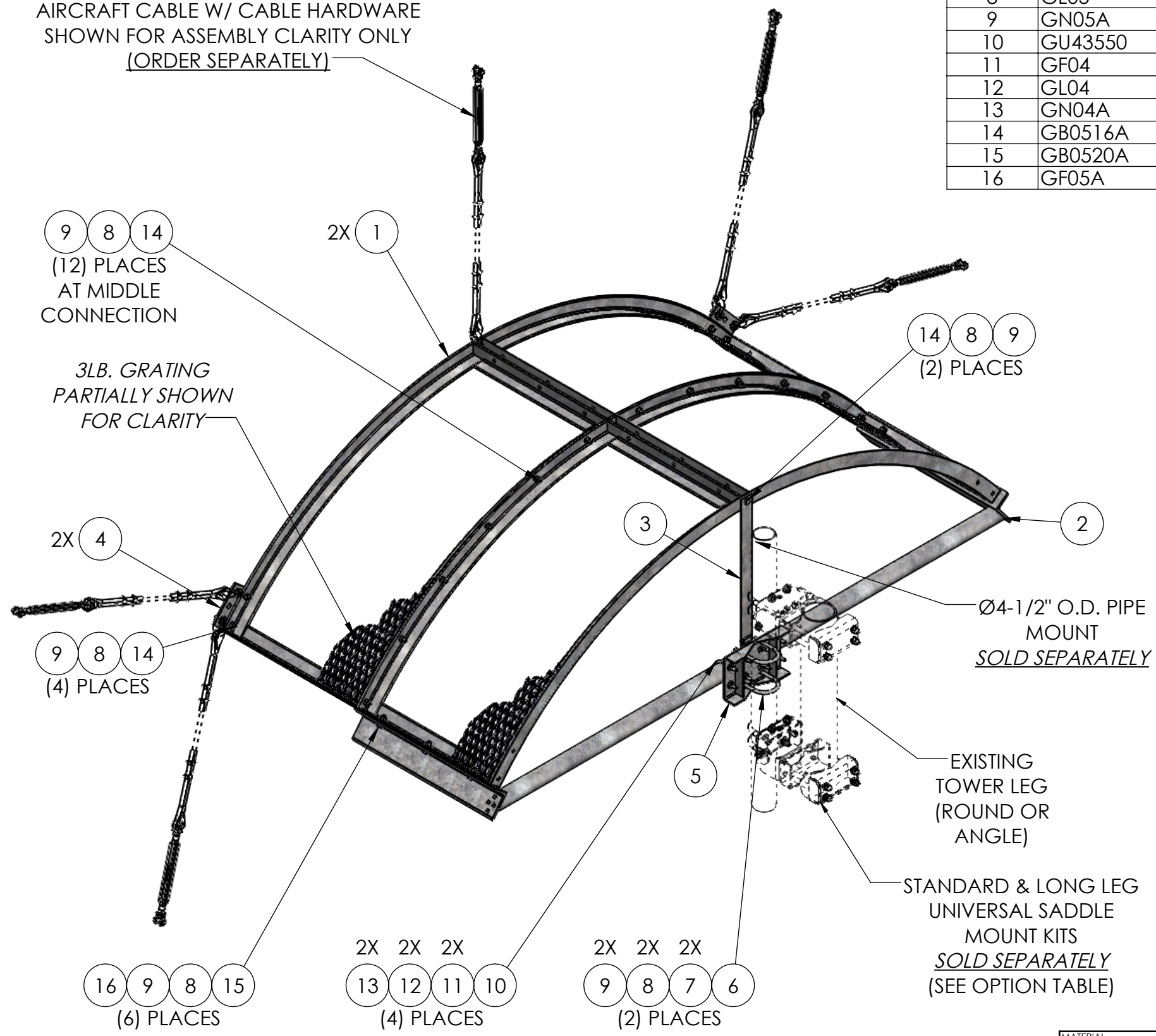


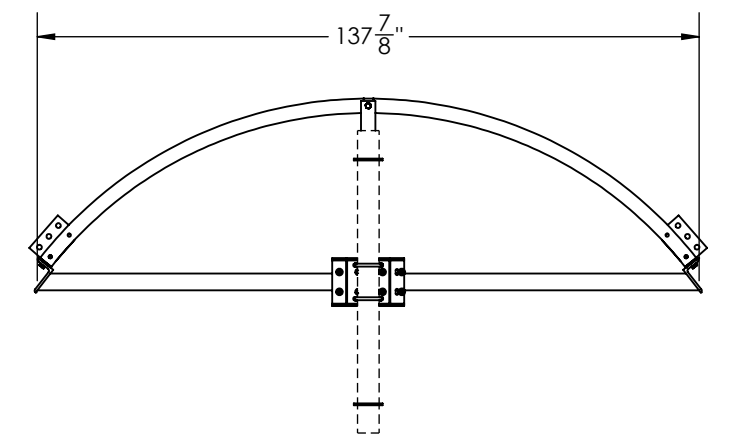
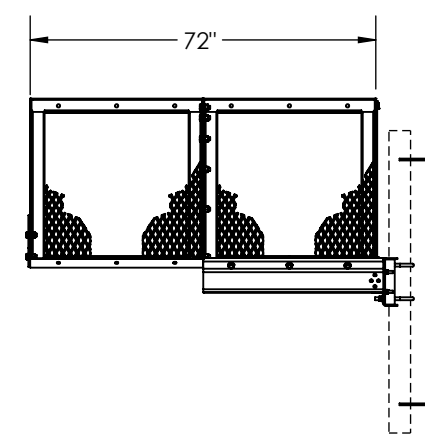
COMPONENTS FOR PART NUMBER IS-RH KIT (ORDER SEPARATELY)	
DESCRIPTION	QTY.
5/8" x 1.5 TON PIN SHACKLE	5
7/16" HEAVY THIMBLE	10
3/8" DROP FORGED WIRE ROPE CLIP	20
3/8" GALV. AIRCRAFT CABLE	150ft
5/8" x 12" J/J TURNBUCKLE	5

ITEM NO.	PART NUMBER	DESCRIPTION	FINISH	WEIGHT (PER)	QTY.
1	IS-R10.01	RADIAL FRAME 10FT (WELDMENT)	H.D.G.	283.80	2
2	IS-R10.02	HORIZ. PIPE SUPPORT BRACE 10FT (WELDMENT)	H.D.G.	185.54	1
3	IS-R10.03	ANGLE BRACE FOR RADIAL FRAME 10FT (L3" x 3" x 1/4" x 35")	H.D.G.	13.60	1
4	IS-R10.04	GUY ATTACH BRACKET (F.B. 6" x 3/8" x 9")	H.D.G.	5.43	2
5	MP1186.01	15" CENTER CHANNEL BRACKET (WELDMENT)	H.D.G.	16.93	1
6	GU54574	5/8" x 7-1/2" x 4-5/8" x 2-1/2" U-BOLT	H.D.G.	1.62	2
7	GF05	5/8" FLAT WASHER	H.D.G.	0.08	4
8	GL05	5/8" LOCK WASHER	H.D.G.	0.03	28
9	GN05A	5/8" HEX NUT (2H)	H.D.G.	0.12	28
10	GU43550	1/2" x 5-1/2" x 3-5/8" x 2-1/2" U-BOLT	H.D.G.	0.77	4
11	GF04	1/2" FLAT WASHER	H.D.G.	0.04	8
12	GL04	1/2" LOCK WASHER	H.D.G.	0.02	8
13	GN04A	1/2" HEX NUT (2H)	H.D.G.	0.04	8
14	GB0516A	5/8" x 1-3/4" HEX BOLT	H.D.G.	0.26	18
15	GB0520A	5/8" x 2" HEX BOLT	H.D.G.	0.28	6
16	GF05A	5/8" FLAT WASHER	H.D.G.	0.03	6

AIRCRAFT CABLE W/ CABLE HARDWARE SHOWN FOR ASSEMBLY CLARITY ONLY (ORDER SEPARATELY)



SOLD SEPARATELY			
PART NUMBER	DESCRIPTION	FITS (ANGLE & PIPE TOWER LEGS)	QTY
TW1126	UNIVERSAL SADDLE MOUNT	L2-3/4" TO L4-1/2" / Ø1-3/4" TO Ø6-5/8" O.D.	1
TW1128	UNIVERSAL SADDLE MOUNT (LONG LEG ADAPTER KIT)	L3" TO L8-1/2" / Ø1-3/4" TO Ø12" O.D.	1



MATERIAL	FINISH H.D.G.	SIZE <b>B</b>	UNLESS OTHERWISE SPECIFIED: DIMENSIONS ARE IN INCHES TOLERANCE ± 1/16	DESCRIPTION: RADIAL ICE SHIELD 10' KIT 2 PIECE	DWG NO: IS-R102
			PROPRIETARY AND CONFIDENTIAL THE INFORMATION CONTAINED IN THIS DRAWING IS THE SOLE PROPERTY OF PRO TOWER MANUFACTURING L.L.C. ANY REPRODUCTION IN PART OR AS A WHOLE WITHOUT THE WRITTEN PERMISSION OF PRO TOWER MANUFACTURING L.L.C. IS PROHIBITED.	 <b>PRO TOWER MANUFACTURING L.L.C.</b> 5601 San Francisco St. NE Albuquerque, N.M. 87109 (505) 924-2810	DRAWN BY: AJK DATE: 6/29/2023 REV
			CHECKED BY: E.FILMER DATE: 6/29/2023 WEIGHT: 886.46	SHEET: 1 of 1 SCALE: NTS	