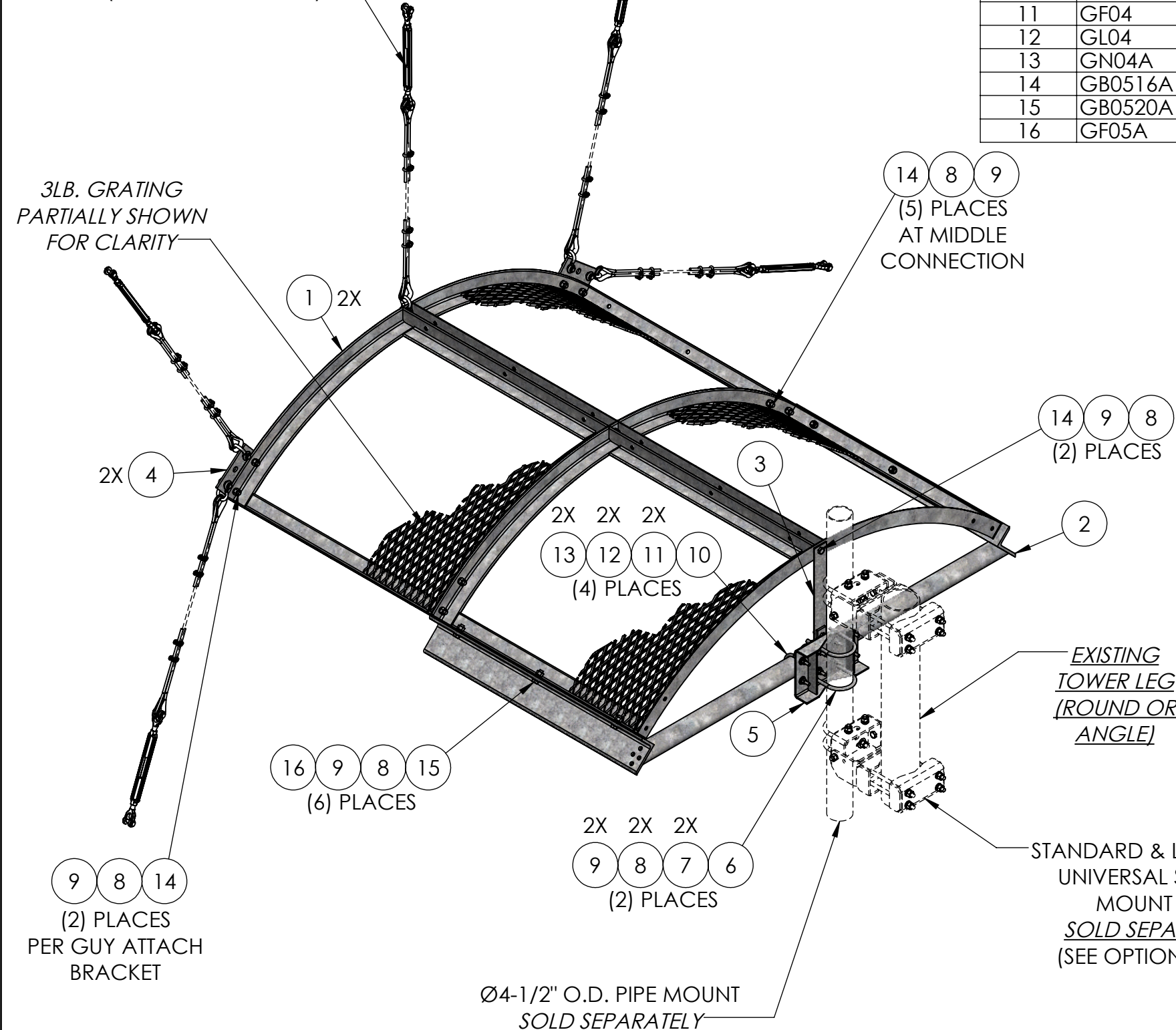


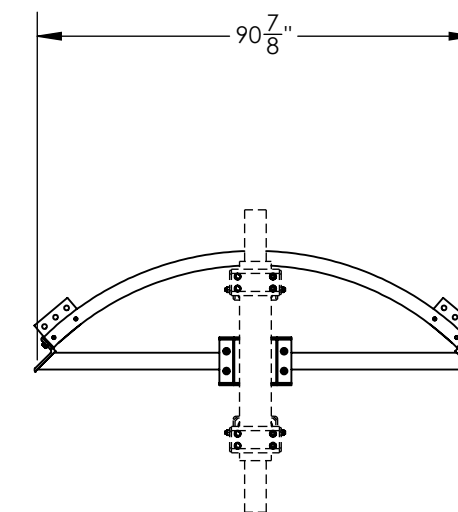
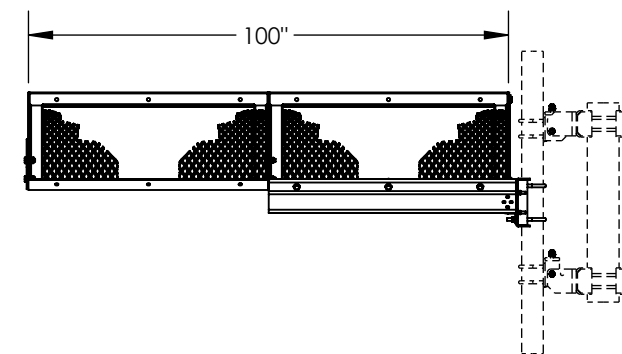
COMPONENTS FOR PART NUMBER IS-RH KIT (ORDER SEPARATELY)	
DESCRIPTION	QTY.
5/8" x 1.5 TON PIN SHACKLE	5
7/16" HEAVY THIMBLE	10
3/8" DROP FORGED WIRE ROPE CLIP	20
3/8" GALV. AIRCRAFT CABLE	100ft
5/8" x 12" J/J TURNBUCKLE	5

AIRCRAFT CABLE W/ CABLE HARDWARE SHOWN FOR ASSEMBLY CLARITY ONLY (ORDER SEPARATELY)



ITEM NO.	PART NUMBER	DESCRIPTION	WEIGHT (PER)	FINISH	QTY.
1	IS-R6.01	RADIAL FRAME 6FT (WELDMENT)	242.33	H.D.G.	2
2	IS-R6.02	HORIZ. PIPE SUPPORT BRACE 6FT (WELDMENT)	192.64	H.D.G.	1
3	IS-R6.03	ANGLE BRACE FOR RADIAL FRAME 6FT (L3" x 3" x 1/4" x 19-3/4")	7.39	H.D.G.	1
4	IS-R10.04	GUY ATTACH BRACKET (F.B. 6" x 3/8" x 9")	5.43	H.D.G.	2
5	MP1186.01	15" CENTER CHANNEL BRACKET (WELDMENT)	16.93	H.D.G.	1
6	GU54574	5/8" x 7-1/2" x 4-5/8" x 2-1/2" U-BOLT	1.62	H.D.G.	2
7	GF05	5/8" FLAT WASHER	0.08	H.D.G.	4
8	GL05	5/8" LOCK WASHER	0.03	H.D.G.	21
9	GN05A	5/8" HEX NUT (2H)	0.12	H.D.G.	21
10	GU43550	1/2" x 5-1/2" x 3-5/8" x 2-1/2" U-BOLT	0.77	H.D.G.	4
11	GF04	1/2" FLAT WASHER	0.04	H.D.G.	8
12	GL04	1/2" LOCK WASHER	0.02	H.D.G.	8
13	GN04A	1/2" HEX NUT (2H)	0.04	H.D.G.	8
14	GB0516A	5/8" x 1-3/4" HEX BOLT	0.26	H.D.G.	11
15	GB0520A	5/8" x 2" HEX BOLT	0.28	H.D.G.	6
16	GF05A	5/8" FLAT WASHER	0.03	H.D.G.	6

SOLD SEPARATELY			
PART NUMBER	DESCRIPTION	FITS (ANGLE & PIPE TOWER LEGS)	QTY.
TW1126	UNIVERSAL SADDLE MOUNT	L2-3/4" TO L4-1/2" / Ø1-3/4" TO Ø6-5/8" O.D.	1
TW1128	UNIVERSAL SADDLE MOUNT (LONG LEG ADAPTER KIT)	L3" TO L8-1/2" / Ø1-3/4" TO Ø12" O.D.	1



EXISTING TOWER LEG (ROUND OR ANGLE)

STANDARD & LONG LEG UNIVERSAL SADDLE MOUNT KITS SOLD SEPARATELY (SEE OPTION TABLE)

Ø4-1/2" O.D. PIPE MOUNT SOLD SEPARATELY

MATERIAL	-
FINISH	H.D.G.

UNLESS OTHERWISE SPECIFIED:
DIMENSIONS ARE IN INCHES
TOLERANCE ± 1/16

PROPRIETARY AND CONFIDENTIAL
THE INFORMATION CONTAINED IN THIS
DRAWING IS THE SOLE PROPERTY OF
PRO TOWER MANUFACTURING L.L.C. ANY
REPRODUCTION IN PART OR AS A WHOLE
WITHOUT THE WRITTEN PERMISSION OF
PRO TOWER MANUFACTURING L.L.C. IS
PROHIBITED.

DESCRIPTION: RADIAL ICE SHIELD 6' KIT, 2 PIECE		DWG NO: IS-R62	
PRO TOWER MANUFACTURING L.L.C. 5601 San Francisco St. NE Albuquerque, N.M. 87109 (505) 924-2810		DRAWN BY: AJK CHECKED BY: E.FILMER SHEET: 1 of 1	DATE: 6/28/2023 DATE: 6/28/2023 SCALE: NTS
REV	WEIGHT: 789.05		