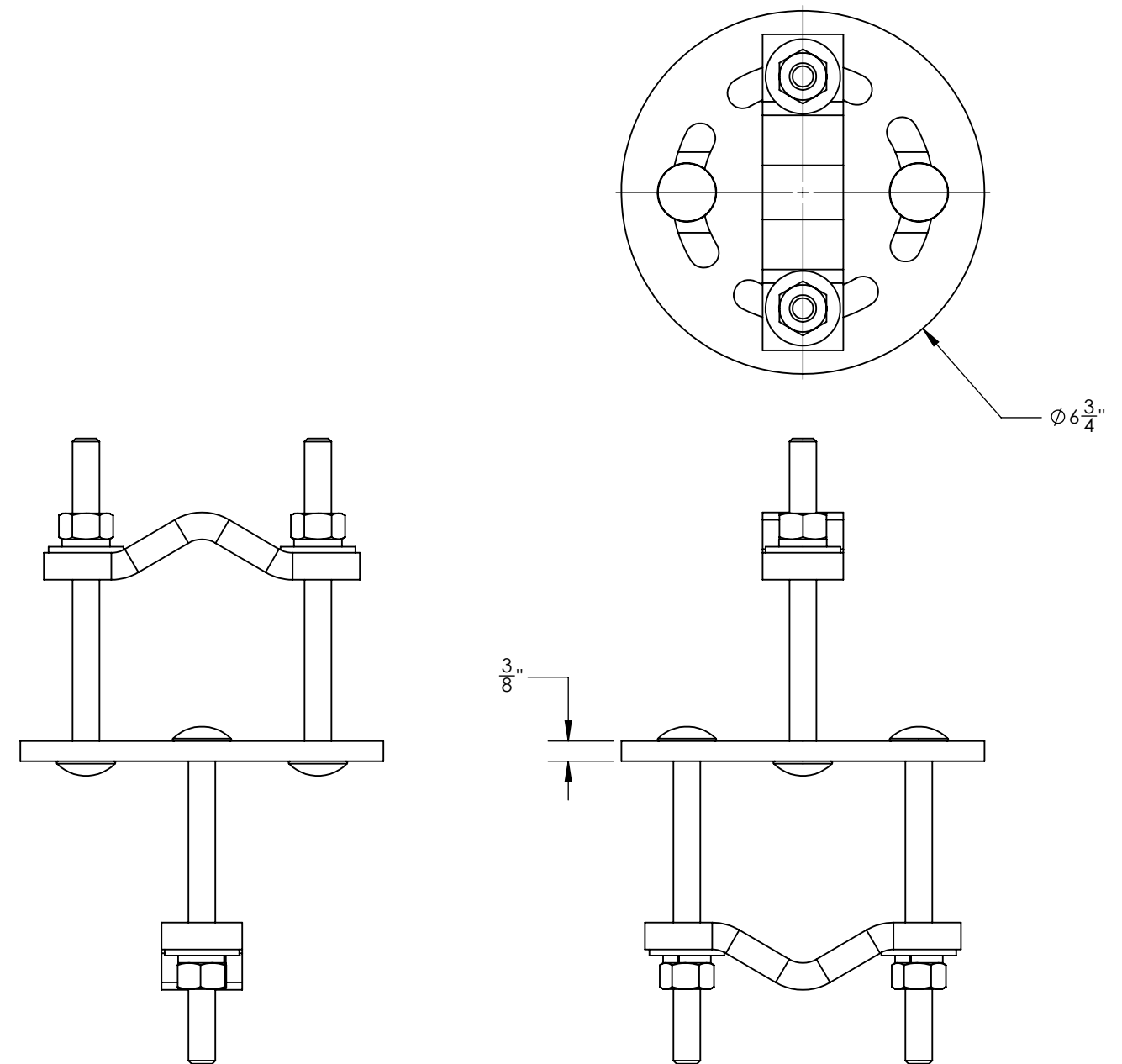
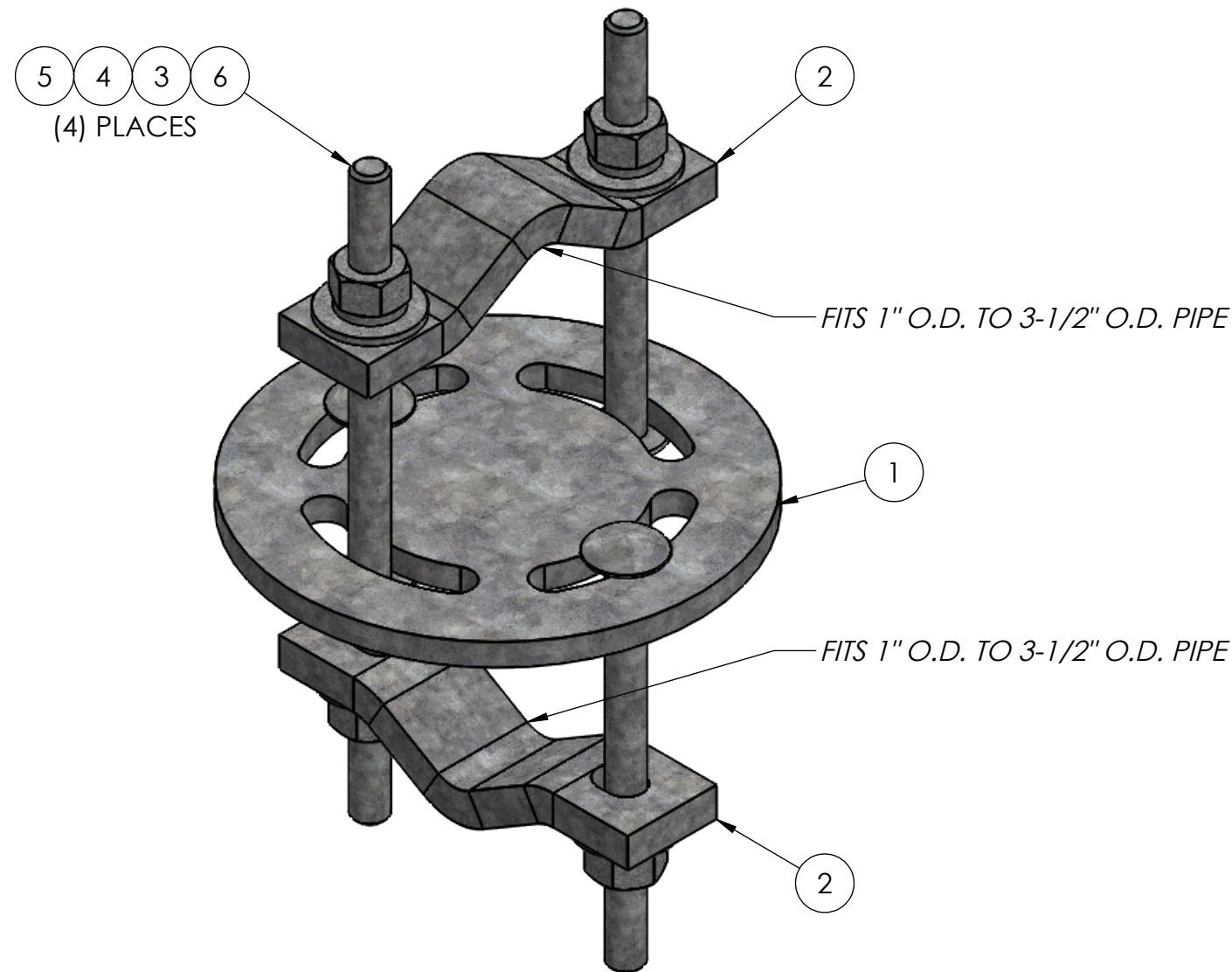


ITEM NO.	PART NUMBER	DESCRIPTION	FINISH	WEIGHT (PER)	QTY.
1	TW1112.01	ROUND PLATE FOR 1" TO 3-1/2" OD CLAMP ASSEMBLY	H.D.G.	3.18	1
2	TW1320.01	CLAMP HALF 1-1/2" TO 3-1/2" OD ROUND (1/2" PLATE)	H.D.G.	1.23	2
3	GN04A	1/2" HEX NUT	H.D.G.	0.06	4
4	GL04	1/2" LOCK WASHER	H.D.G.	0.02	4
5	GF04	1/2" FLAT WASHER	H.D.G.	0.04	4
6	GBC0460	1/2" X 6" CARRIAGE BOLT	H.D.G.	0.38	4



UNLESS OTHERWISE SPECIFIED: DIMENSIONS ARE IN INCHES TOLERANCE $\pm 1/16$		DESCRIPTION: CROSSOVER ROUND CLAMP ASSEMBLY FOR 1" TO 3-1/2" OD PIPE	
MATERIAL - FINISH H.D.G.		SIZE B PROPRIETARY AND CONFIDENTIAL THE INFORMATION CONTAINED IN THIS DRAWING IS THE SOLE PROPERTY OF PRO TOWER MANUFACTURING L.L.C. ANY REPRODUCTION IN PART OR AS A WHOLE WITHOUT THE WRITTEN PERMISSION OF PRO TOWER MANUFACTURING L.L.C. IS PROHIBITED.	DWG NO: TW1112 DRAWN BY: AJK CHECKED BY: E.FILMER SHEET: 1 of 2
PRO TOWER MANUFACTURING L.L.C. 5601 San Francisco St. NE Albuquerque, N.M. 87109 (505) 924-2810			DATE: 7/6/2021 DATE: 7/6/2021 SCALE: NTS REV WEIGHT: 7.53