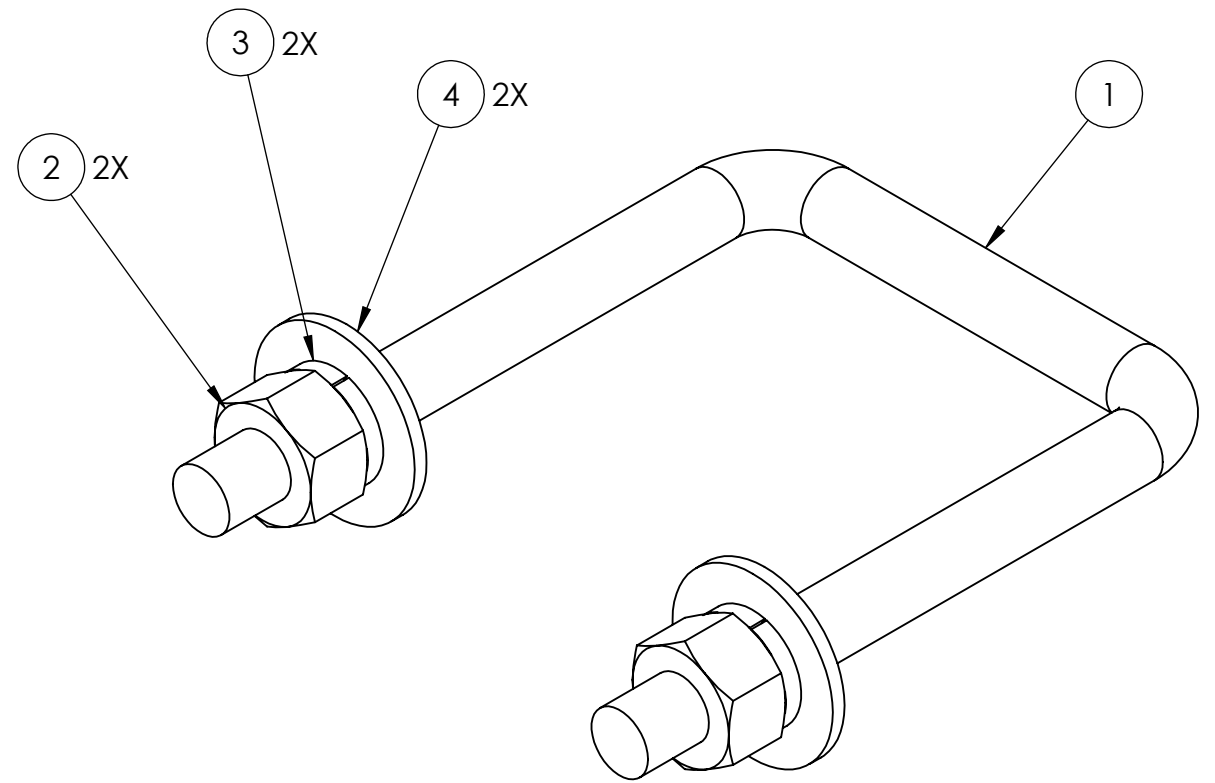
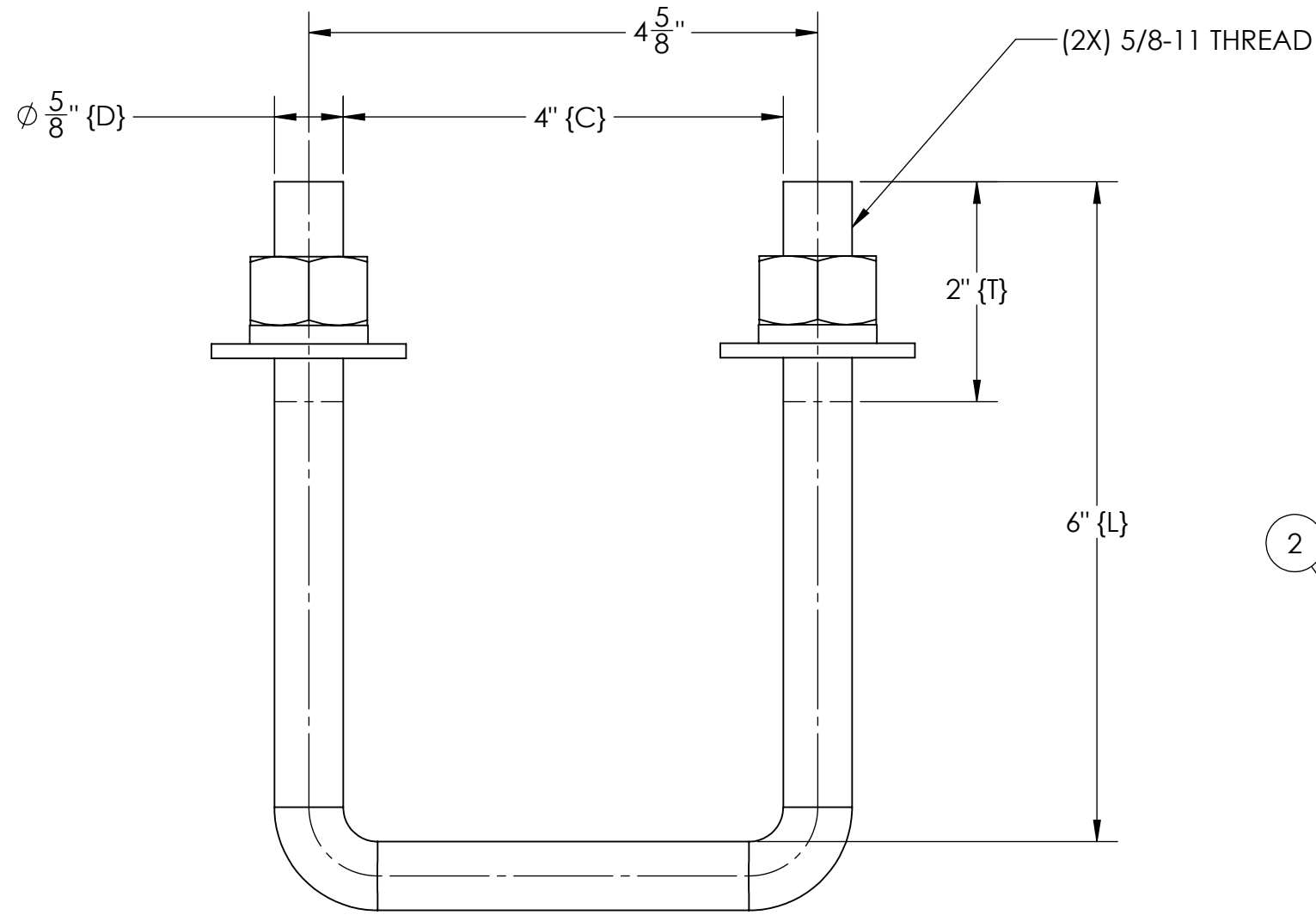


ITEM NO.	PART NUMBER	DESCRIPTION	FINISH	WEIGHT (PER)	QTY.
1	GUS56040	5/8" x 6" x 4" x 2" U-BOLT	H.D.G.	1.46	1
2	GN05A	5/8" HEX NUT	H.D.G.	0.12	2
3	GL05	5/8" LOCK WASHER	H.D.G.	0.03	2
4	GF05	5/8" FLAT WASHER	H.D.G.	0.08	2



UNLESS OTHERWISE SPECIFIED: DIMENSIONS ARE IN INCHES TOLERANCE ± 1/16		DESCRIPTION: SQUARE 5/8" x 6" x 4" x 2" U-BOLT ASSM.		
MATERIAL -		 PRO TOWER MANUFACTURING L.L.C. 5601 San Francisco St. NE Albuquerque, N.M. 87109 (505) 924-2810	DWG NO: GUAS56040	
FINISH H.D.G.			DRAWN BY: AJK CHECKED BY: T.SMYTHE SHEET: 1 of 1	DATE: 6/17/2021 DATE: 6/17/2021 SCALE: NTS

SIZE
B

PROPRIETARY AND CONFIDENTIAL
THE INFORMATION CONTAINED IN THIS
DRAWING IS THE SOLE PROPERTY OF
PRO TOWER MANUFACTURING L.L.C. ANY
REPRODUCTION IN PART OR AS A WHOLE
WITHOUT THE WRITTEN PERMISSION OF
PRO TOWER MANUFACTURING L.L.C. IS
PROHIBITED.