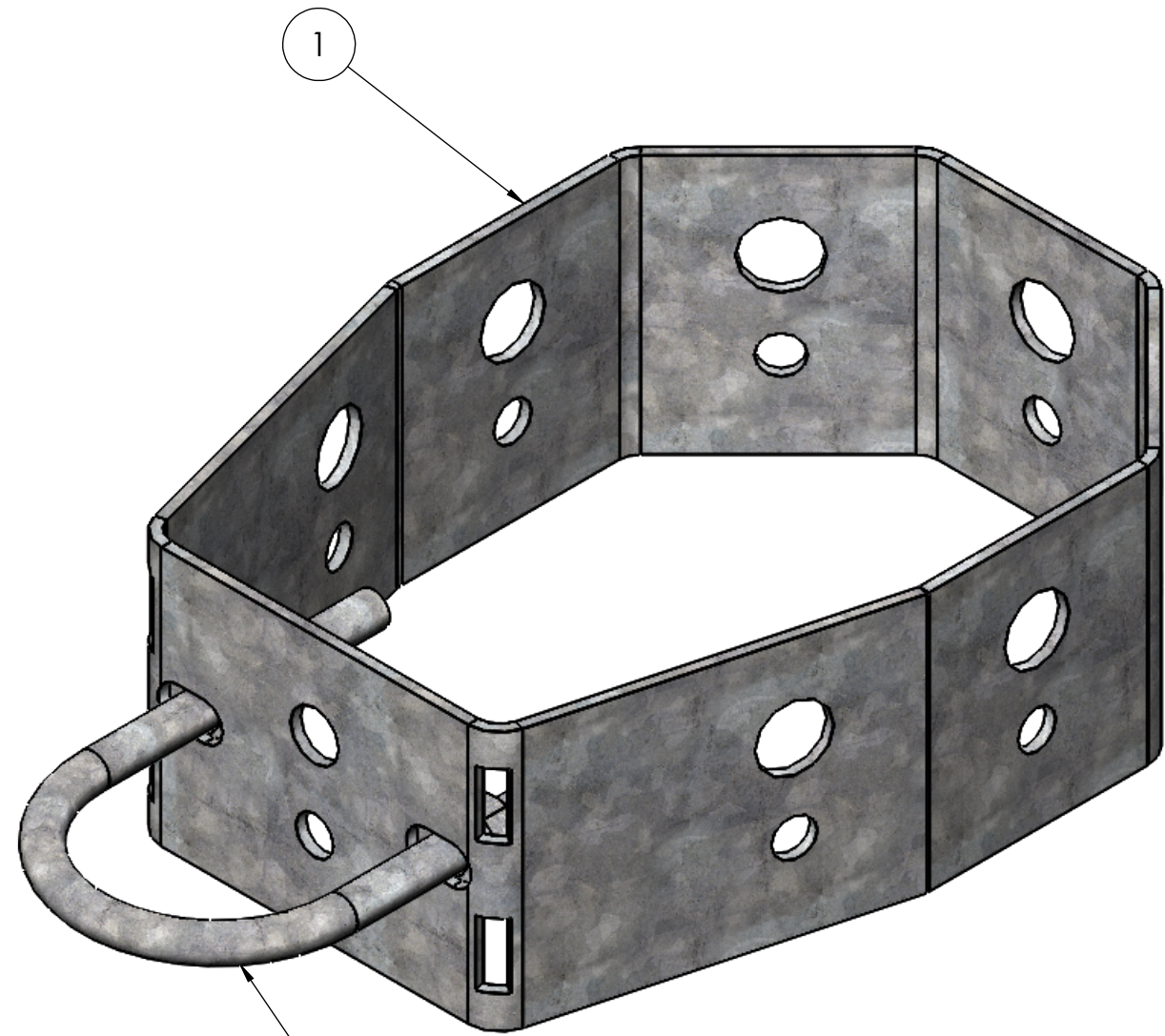
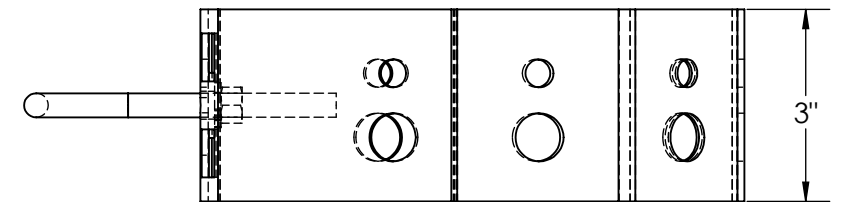
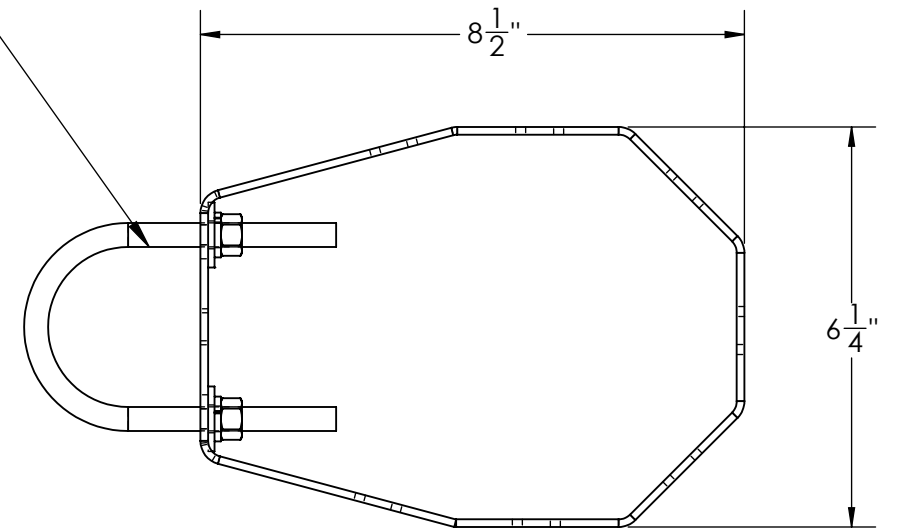


| ITEM NO. | PART NUMBER | DESCRIPTION | FINISH | WEIGHT (PER) | QTY. |
|----------|-------------|--|--------|--------------|------|
| 1 | CS1100.01 | SMALL CLUSTER SUPPORT BRACKET, 7 HOLE (11 GAUGE) | H.D.G. | 2.34 | 1 |
| 2 | GU32440 | 3/8" x 4-1/2" x 2-1/2" x 2" U-BOLT | H.D.G. | 0.35 | 1 |
| 3 | GF03 | 3/8" FLAT WASHER | H.D.G. | 0.02 | 2 |
| 4 | GL03 | 3/8" LOCK WASHER | H.D.G. | 0.01 | 2 |
| 5 | GN03 | 3/8" HEX NUT | H.D.G. | 0.02 | 2 |



FITS 2-3/8" O.D. PIPE



- 2X
- 2X
- 2X
- 2
- 5
- 4
- 3

| | | | |
|---|---|---|--|
| UNLESS OTHERWISE SPECIFIED: DIMENSIONS ARE IN INCHES TOLERANCE ± 1/16 | | DESCRIPTION: SMALL CLUSTER SUPPORT BRACKET, 7 HOLE, KIT OF 1 | |
| MATERIAL - | FINISH H.D.G. | PRO TOWER MANUFACTURING L.L.C. 5601 San Francisco St. NE Albuquerque, N.M. 87109 (505) 924-2810 | DWG NO: CS1100 DRAWN BY: AJK CHECKED BY: T.SMYTHE SHEET: 1 of 1 |
| SIZE B | PROPRIETARY AND CONFIDENTIAL THE INFORMATION CONTAINED IN THIS DRAWING IS THE SOLE PROPERTY OF PRO TOWER MANUFACTURING L.L.C. ANY REPRODUCTION IN PART OR AS A WHOLE WITHOUT THE WRITTEN PERMISSION OF PRO TOWER MANUFACTURING L.L.C. IS PROHIBITED. | | DATE: 7/13/2021 DATE: 7/13/2021 SCALE: NTS REV WEIGHT: 2.77 |