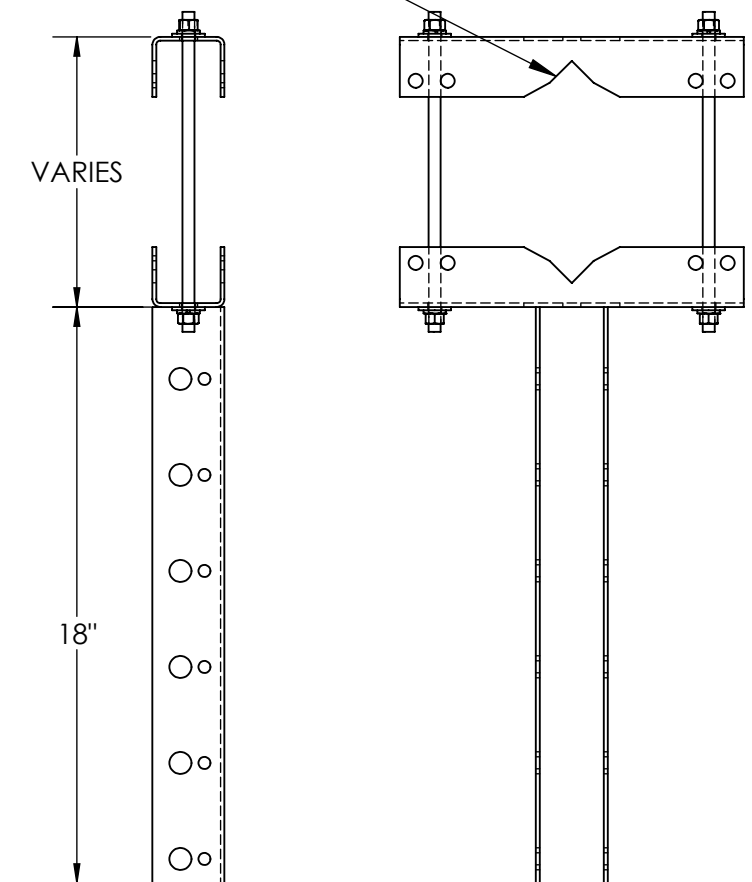
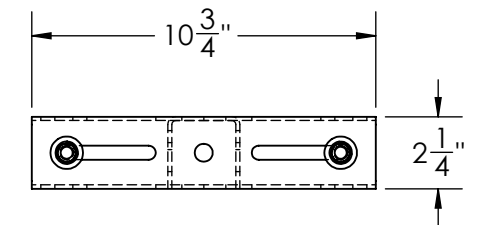
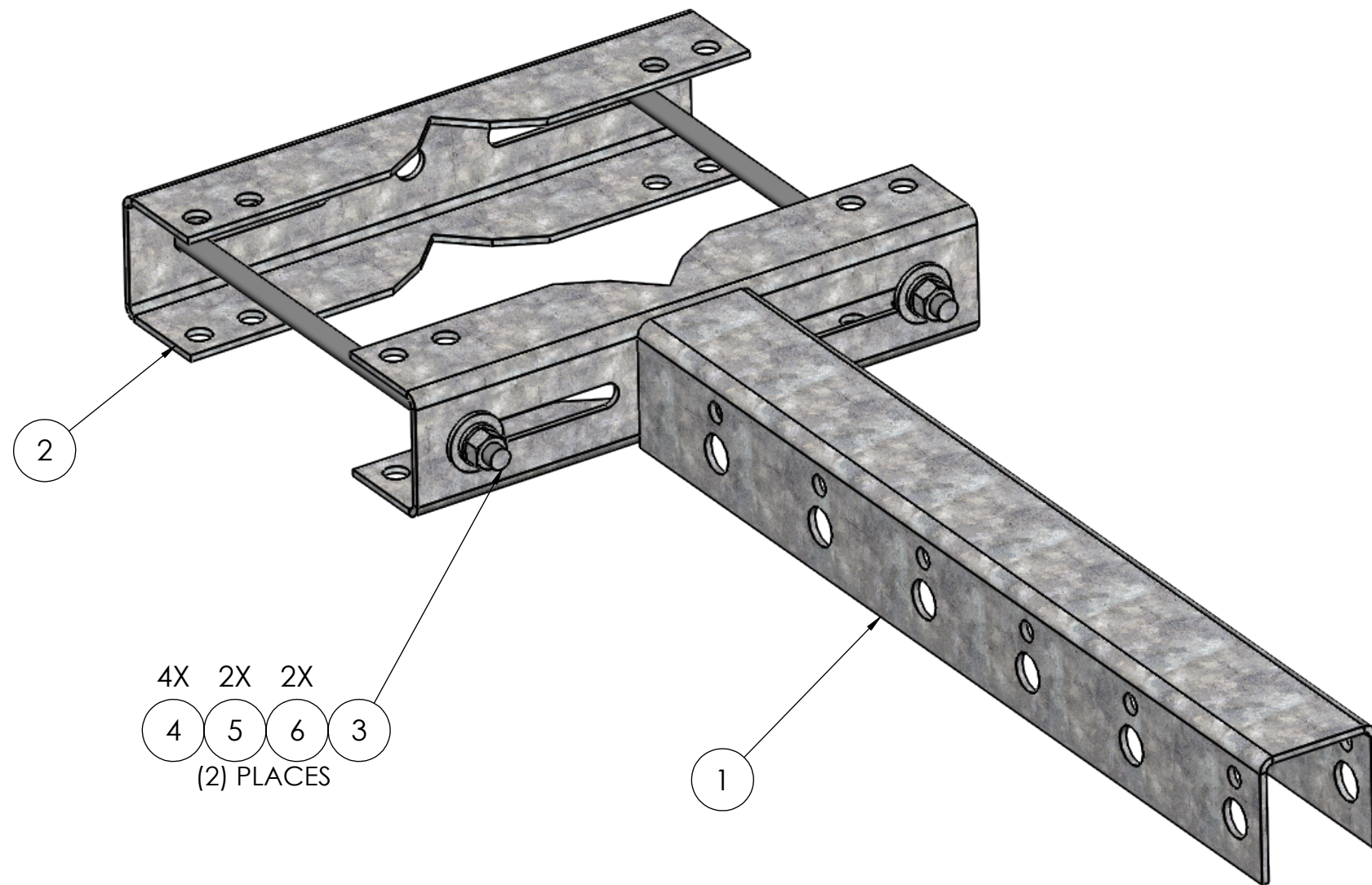


ITEM NO.	PART NUMBER	DESCRIPTION	FINISH	WEIGHT (PER)	QTY.
1	CS1150.01	T-SUPPORT BRACKET KIT, 6 HOLE, BOLT-ON FOR 1-1/2" TO 5-9/16" O.D. PIPE OR 2" TO 5" ANGLE	H.D.G.	5.66	1
2	TW1330.03	STIFF ARM CHANNEL BRACKET, ADJUSTABLE (11 GA. SHEET METAL)	H.D.G.	1.81	1
3	GR375.010	3/8" x 10" THREADED ROD	H.D.G.	0.31	2
4	GF03	3/8" FLAT WASHER	H.D.G.	0.02	4
5	GL03	3/8" LOCK WASHER	H.D.G.	0.01	4
6	GN03	3/8" HEX NUT	H.D.G.	0.02	4

FITS: (ANGLE & PIPE TOWER LEGS)
 -ANGLE LEGS (2" TO 5")
 -ROUND LEG (1-1/2" O.D. TO 5-9/16" O.D.)



UNLESS OTHERWISE SPECIFIED: DIMENSIONS ARE IN INCHES TOLERANCE ± 1/16		DESCRIPTION: T-SUPPORT BRACKET KIT, 6 HOLE, BOLT-ON FOR 1-1/2" TO 5-9/16" O.D. PIPE OR 2" TO 5" ANGLE	
MATERIAL: -		 PRO TOWER MANUFACTURING L.L.C. 5601 San Francisco St. NE Albuquerque, N.M. 87109 (505) 924-2810	DWG NO: CS1150
FINISH: H.D.G.			DRAWN BY: AJK CHECKED BY: T.SMYTHE SHEET: 1 of 1
SIZE B PROPRIETARY AND CONFIDENTIAL THE INFORMATION CONTAINED IN THIS DRAWING IS THE SOLE PROPERTY OF PRO TOWER MANUFACTURING L.L.C. ANY REPRODUCTION IN PART OR AS A WHOLE WITHOUT THE WRITTEN PERMISSION OF PRO TOWER MANUFACTURING L.L.C. IS PROHIBITED.		REV: - WEIGHT: 8.27	