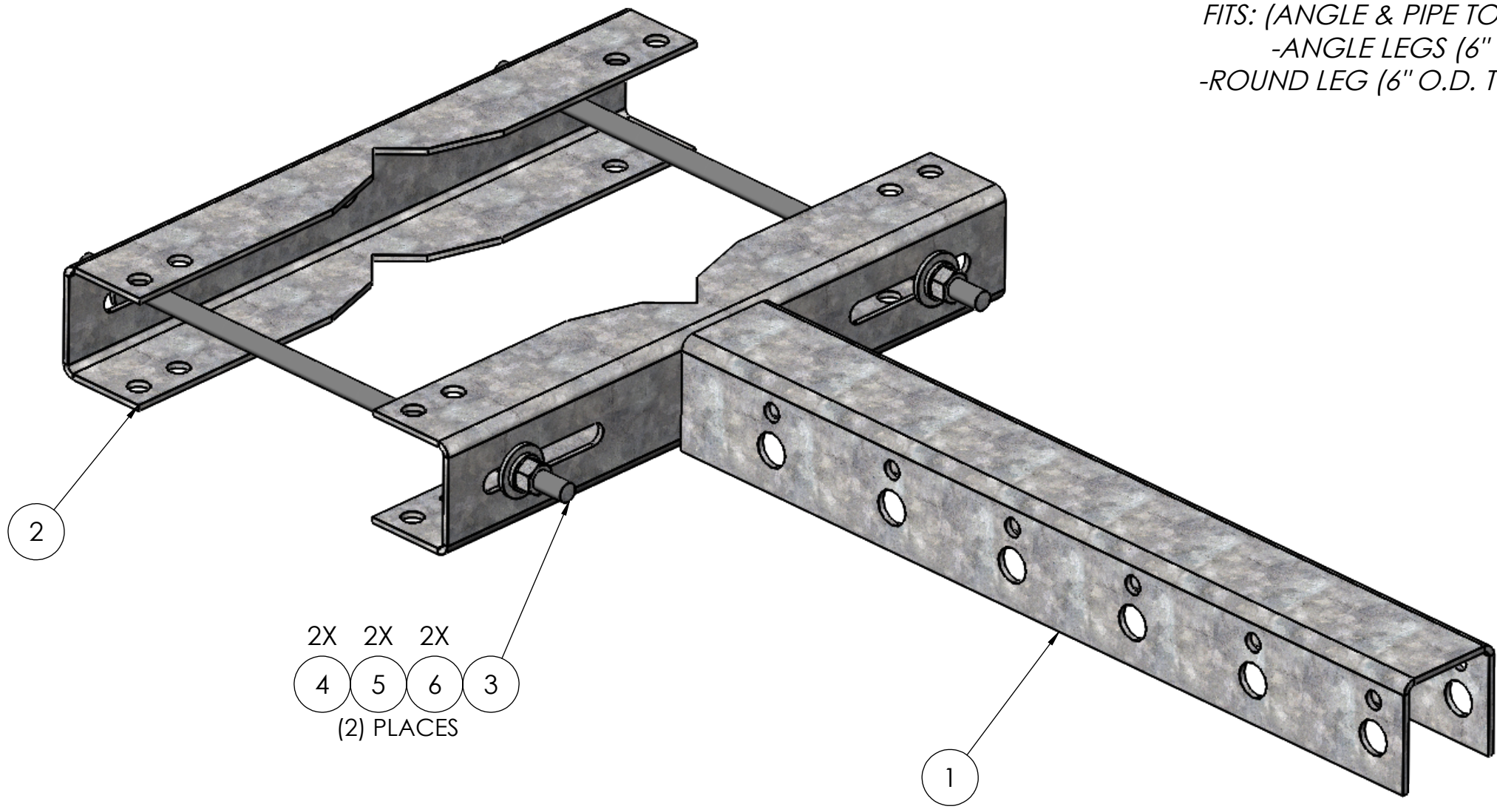
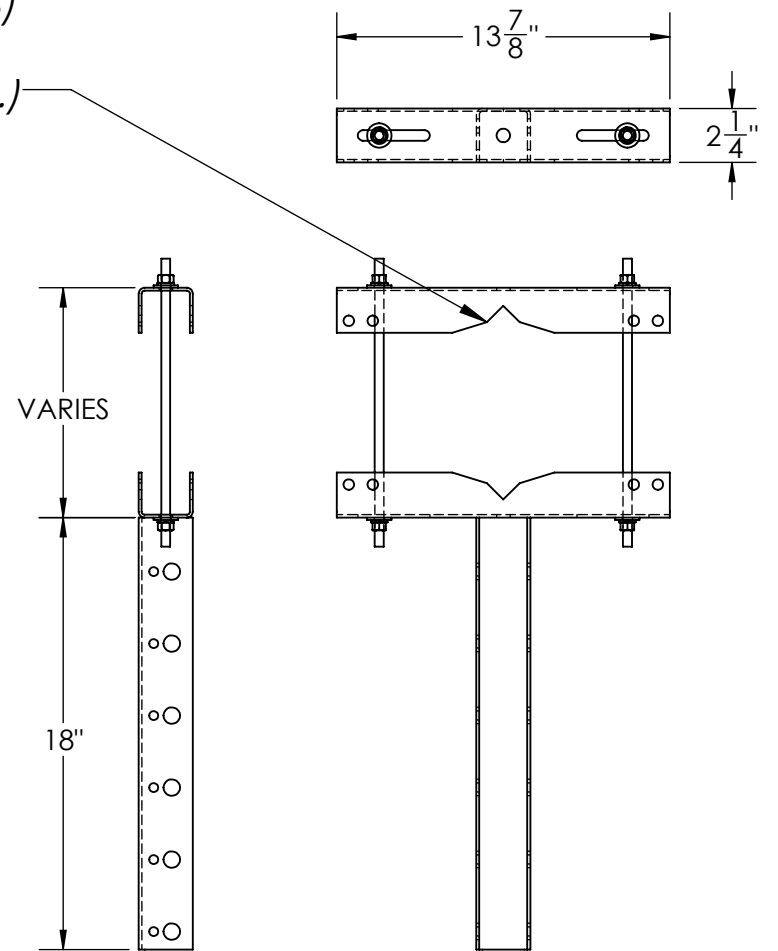


ITEM NO.	PART NUMBER	DESCRIPTION	FINISH	WEIGHT (PER)	QTY.
1	CS1151.01	T-SUPPORT BRACKET KIT, 6 HOLE, BOLT-ON FOR 6" TO 11" O.D. PIPE OR 6" TO 8" ANGLE	H.D.G.	6.24	1
2	CS1201.01	STIFF ARM CHANNEL BRACKET, ADJUSTABLE (11 GA. SHEET METAL)	H.D.G.	2.39	1
3	GR375.012	3/8" x 12" THREADED ROD	H.D.G.	0.38	2
4	GF03	3/8" FLAT WASHER	H.D.G.	0.02	4
5	GL03	3/8" LOCK WASHER	H.D.G.	0.01	4
6	GN03	3/8" HEX NUT	H.D.G.	0.02	4



FITS: (ANGLE & PIPE TOWER LEGS)  
 -ANGLE LEGS (6" TO 8")  
 -ROUND LEG (6" O.D. TO 11" O.D.)



2X 2X 2X  
 4 5 6 3  
 (2) PLACES

UNLESS OTHERWISE SPECIFIED: DIMENSIONS ARE IN INCHES TOLERANCE ± 1/16		DESCRIPTION: T-SUPPORT BRACKET KIT, 6 HOLE, BOLT-ON FOR 6" TO 11" OD PIPE OR 6" TO 8" ANGLE	DWG NO: CS1151	
MATERIAL: -	FINISH: H.D.G.	 <b>PRO TOWER MANUFACTURING L.L.C.</b> 5601 San Francisco St. NE Albuquerque, N.M. 87109 (505) 924-2810	DRAWN BY: AJK	DATE: 7/13/2021
SIZE: B	PROPRIETARY AND CONFIDENTIAL THE INFORMATION CONTAINED IN THIS DRAWING IS THE SOLE PROPERTY OF PRO TOWER MANUFACTURING L.L.C. ANY REPRODUCTION IN PART OR AS A WHOLE WITHOUT THE WRITTEN PERMISSION OF PRO TOWER MANUFACTURING L.L.C. IS PROHIBITED.		CHECKED BY: T.SMYTHE	DATE: 7/13/2021
			SHEET: 1 of 1	SCALE: NTS