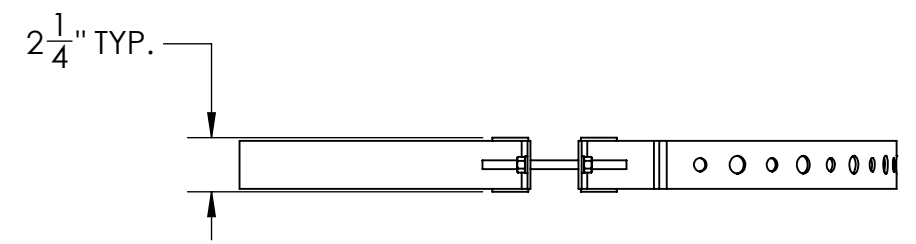
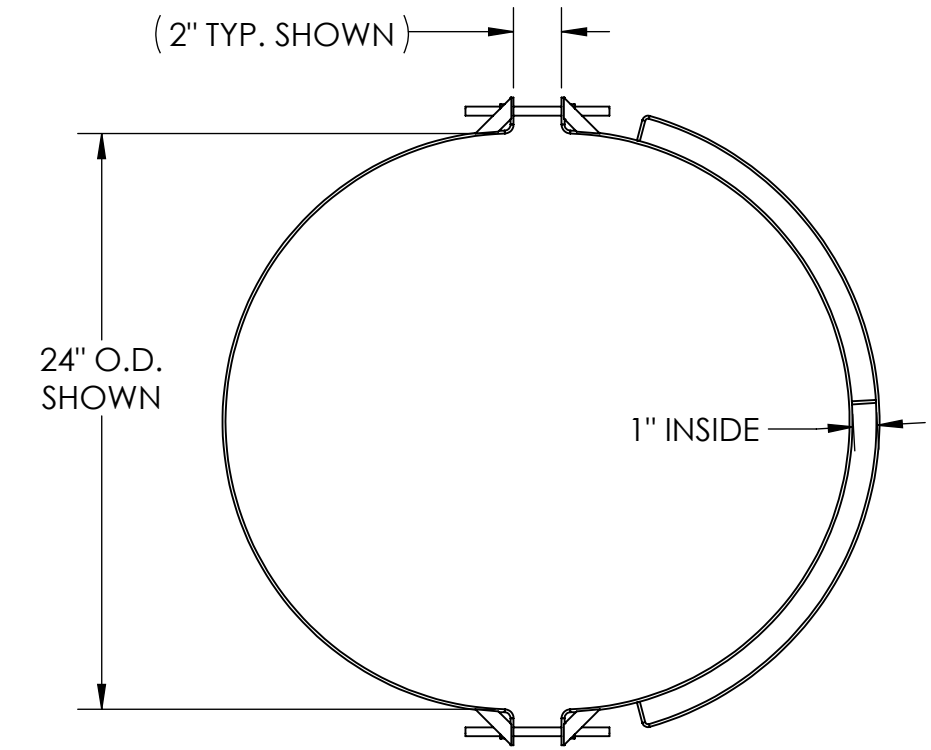
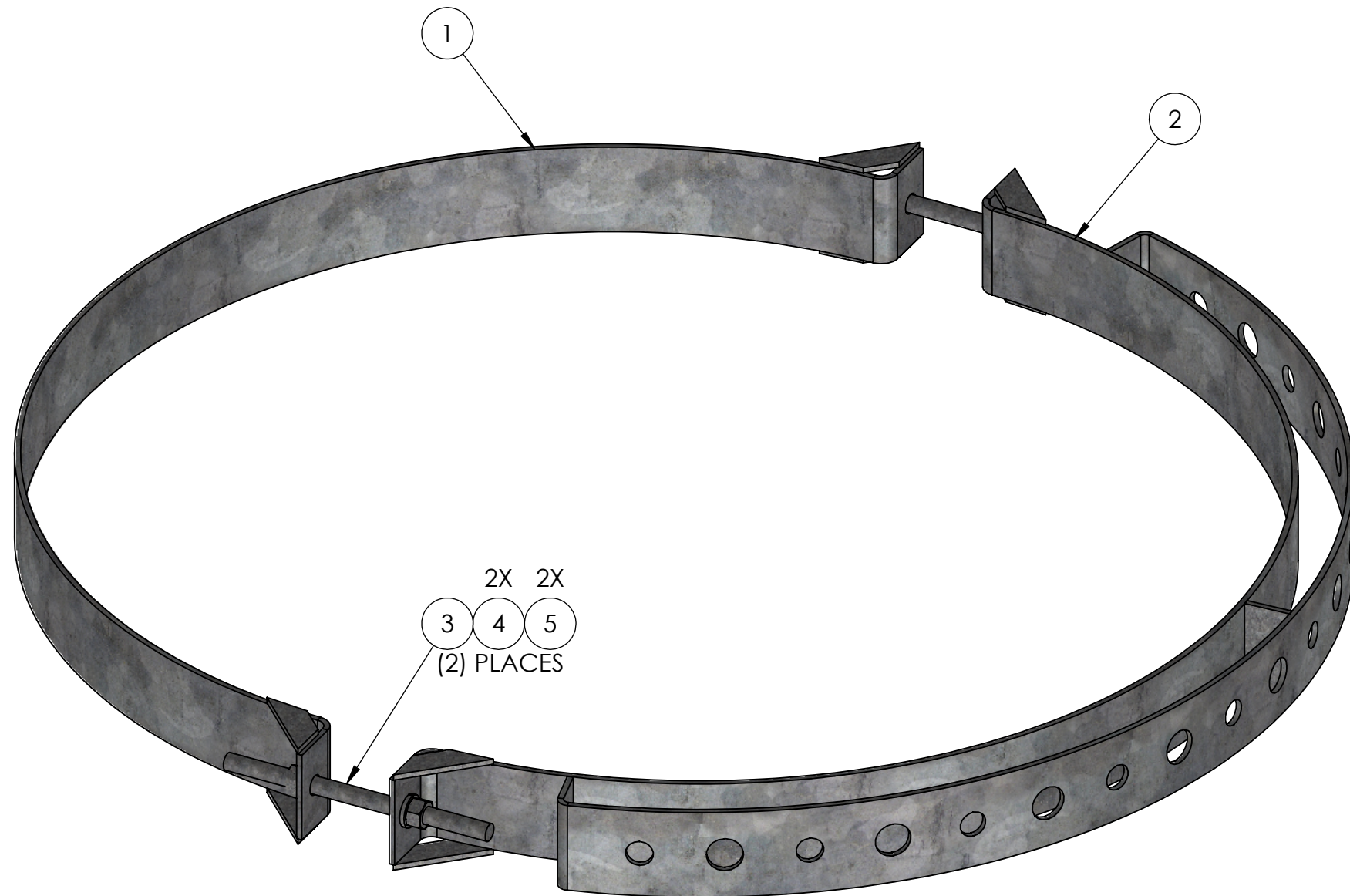



ITEM NO.	PART NUMBER	DESCRIPTION	FINISH	WEIGHT (PER)	QTY.
1	WT1300.01	24" Leg Bracket Ring Cable Mount Half 2	H.D.G.	2.99	1
2	WT1300.02	24" Leg Bracket Ring Cable Mount Half 1	H.D.G.	5.41	1
3	GR375.006	3/8" x 6" GALV. THREADED ROD	H.D.G.	0.19	2
4	GL03	3/8" LOCK WASHER	H.D.G.	0.01	4
5	GN03	3/8" HEX NUT	H.D.G.	0.02	4



UNLESS OTHERWISE SPECIFIED: DIMENSIONS ARE IN INCHES TOLERANCE ± 1/16		DESCRIPTION: 24" WATER TOWER LEG BRACKET ASSEMBLY		
MATERIAL -		 PRO TOWER MANUFACTURING L.L.C. 5601 San Francisco St. NE Albuquerque, N.M. 87109 (505) 924-2810	DWG NO: WT1300	
FINISH H.D.G.			DRAWN BY: A.J.K. CHECKED BY: E. FILMER SHEET: 1 of 1	DATE: 11/28/2022 DATE: 11/28/2022 SCALE: NTS

SIZE
B