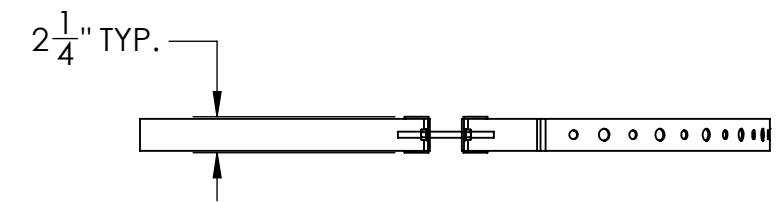
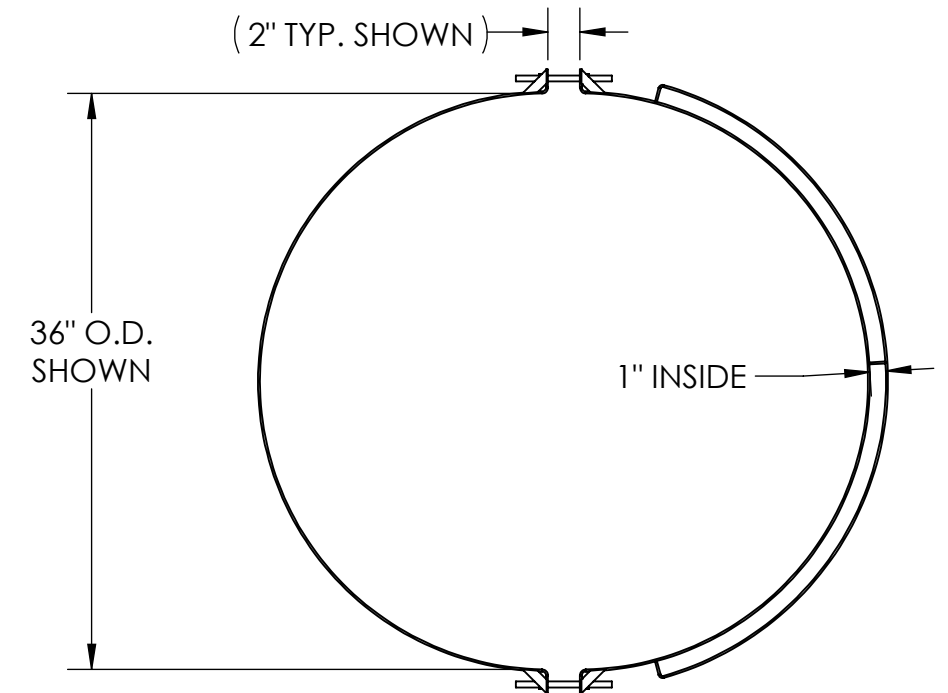
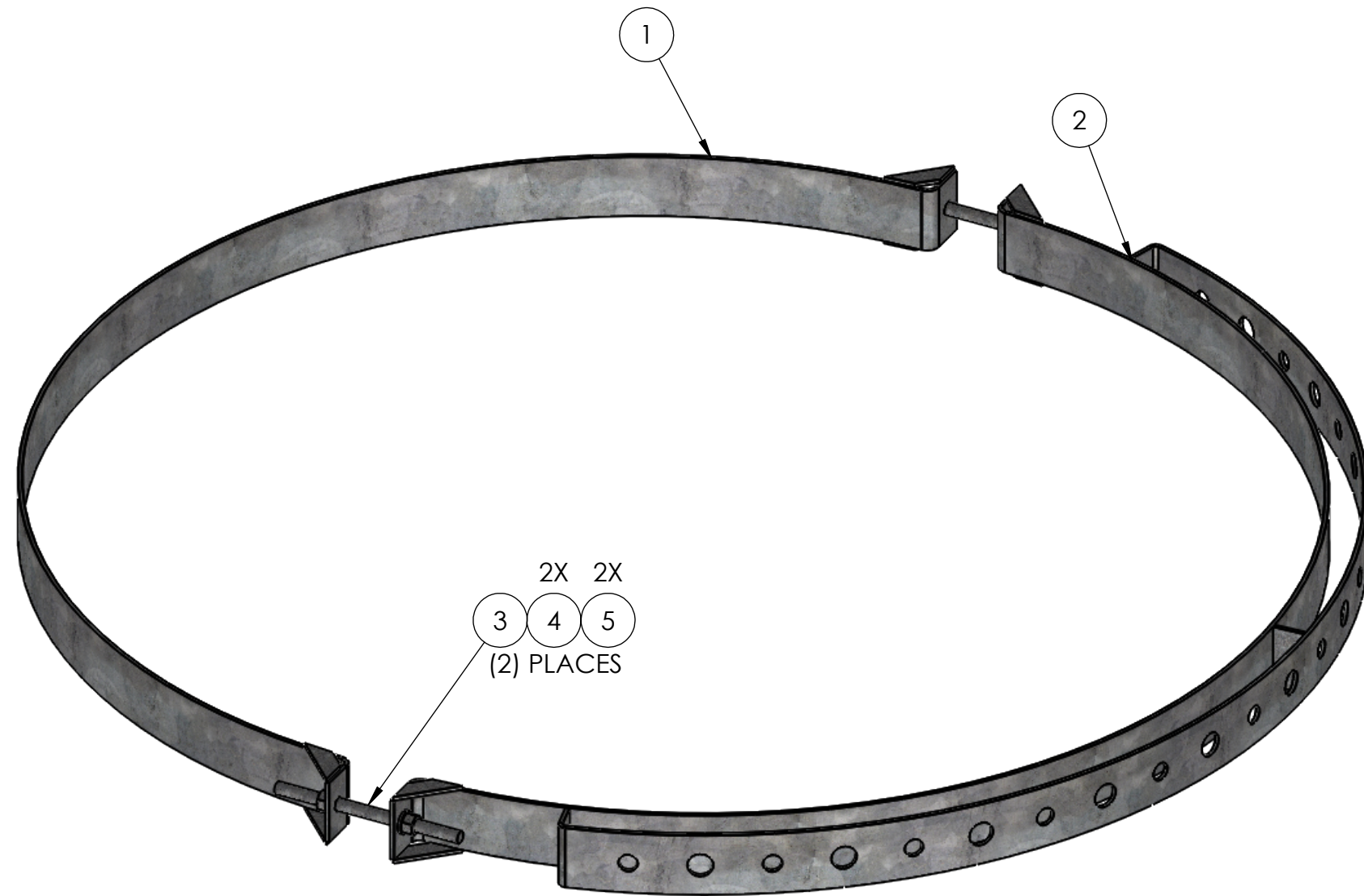



ITEM NO.	PART NUMBER	DESCRIPTION	FINISH	WEIGHT (PER)	QTY.
1	WT1304.01	36" Leg Bracket Ring Cable Mount Half 2	H.D.G.	4.33	1
2	WT1304.02	36" Leg Bracket Ring Cable Mount Half 1	H.D.G.	7.82	1
3	GR375.006	3/8" x 6" GALV THREADED ROD	H.D.G.	0.19	2
4	GL03	3/8" LOCK WASHER	H.D.G.	0.01	4
5	GN03	3/8" HEX NUT	H.D.G.	0.02	4



UNLESS OTHERWISE SPECIFIED: DIMENSIONS ARE IN INCHES TOLERANCE $\pm 1/16$		DESCRIPTION: 36" WATER TOWER LEG BRACKET ASSEMBLY	
MATERIAL -		 <b>PRO TOWER MANUFACTURING L.L.C.</b> 5601 San Francisco St. NE Albuquerque, N.M. 87109 (505) 924-2810	DWG NO: WT1304
FINISH H.D.G.			DRAWN BY: AJK CHECKED BY: E. FILMER SHEET: 1 of 1
SIZE <b>B</b>	PROPRIETARY AND CONFIDENTIAL THE INFORMATION CONTAINED IN THIS DRAWING IS THE SOLE PROPERTY OF PRO TOWER MANUFACTURING L.L.C. ANY REPRODUCTION IN PART OR AS A WHOLE WITHOUT THE WRITTEN PERMISSION OF PRO TOWER MANUFACTURING L.L.C. IS PROHIBITED.	REV WEIGHT: 12.61	