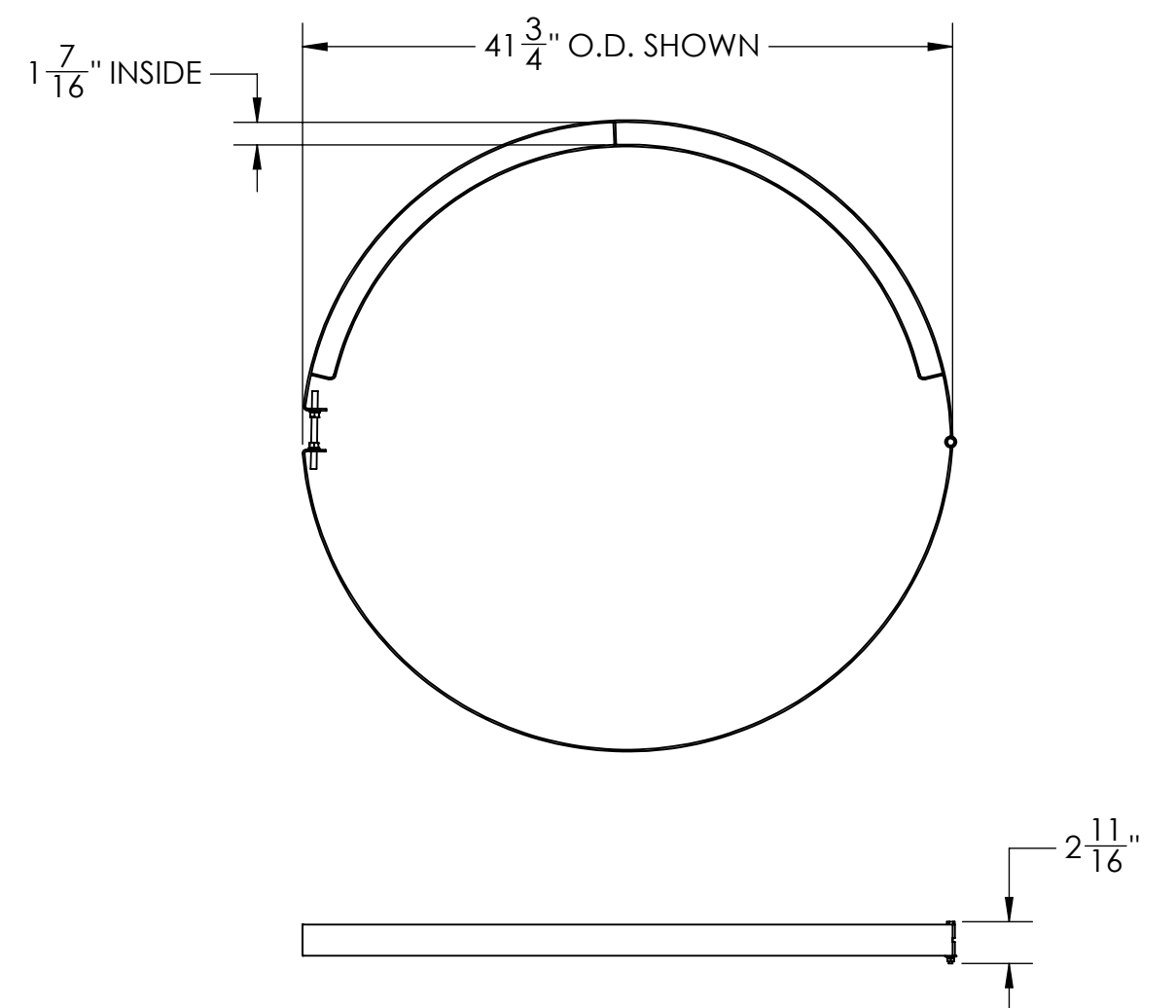
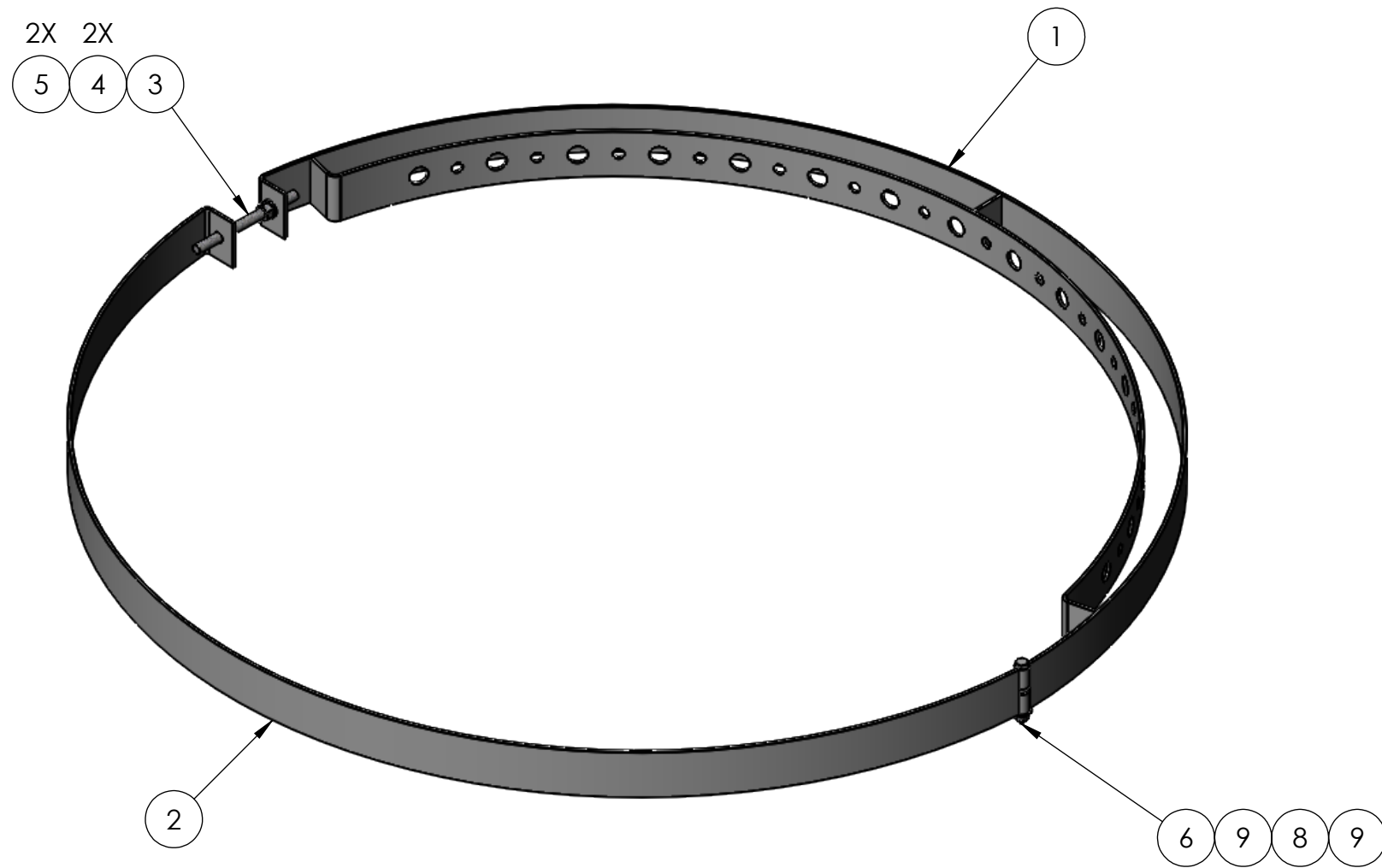


ITEM NO.	PART NUMBER	DESCRIPTION	FINISH	WEIGHT (PER)	QTY.
1	WT1322.01	42" Water Tower Expansion Mount Half 1	H.D.G.	8.39	1
2	WT1322.02	42" Water Tower Expansion Mount Half 2	H.D.G.	4.67	1
3	GR375.005	3/8" x 5" GALV. ALL THREAD	H.D.G.	0.16	1
4	GL03	3/8" LOCK WASHER	H.D.G.	0.01	2
5	GN03	3/8" HEX NUT	H.D.G.	0.02	2
6	GB02245	1/4" x 2-1/2" GALV. BOLT	H.D.G.	0.04	1
7	GL02	1/4" STD LOCK WASHER	H.D.G.	0.01	1
8	GN02	1/4" HEX NUT	H.D.G.	0.01	1
9	GF02	1/4" FLAT WASHER	H.D.G.	0.01	1



UNLESS OTHERWISE SPECIFIED: DIMENSIONS ARE IN INCHES TOLERANCE ± 1/16		DESCRIPTION: 42" WATER TOWER EXPANSION BRACKET ASSEMBLY	
MATERIAL: -		 <b>PRO TOWER MANUFACTURING L.L.C.</b> 5601 San Francisco St. NE Albuquerque, N.M. 87109 (505) 924-2810	DWG NO: WT1322
FINISH: H.D.G.			DRAWN BY: A.J.K. CHECKED BY: E. FILMER SHEET: 1 of 1
SIZE: <b>B</b>		PROPRIETARY AND CONFIDENTIAL THE INFORMATION CONTAINED IN THIS DRAWING IS THE SOLE PROPERTY OF PRO TOWER MANUFACTURING L.L.C. ANY REPRODUCTION IN PART OR AS A WHOLE WITHOUT THE WRITTEN PERMISSION OF PRO TOWER MANUFACTURING L.L.C. IS PROHIBITED.	
		REV: _____ WEIGHT: 13.32	